

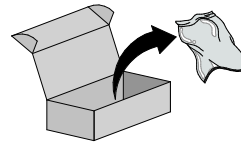
Poligono Industrial Foradada - 08580 - Sant Quirze de Besora (Barcelona)
 Telf. 34-93.852.92.23, Fax.34-93.852.91.59
 Export. Telf. 34-93.852.96.15, Fax.34-93.852.91.76
 e-mail: saheco@saheco.com - web: www.saheco.com

MADE IN E.U.

**GRUPO
TORREMAT**



038060326

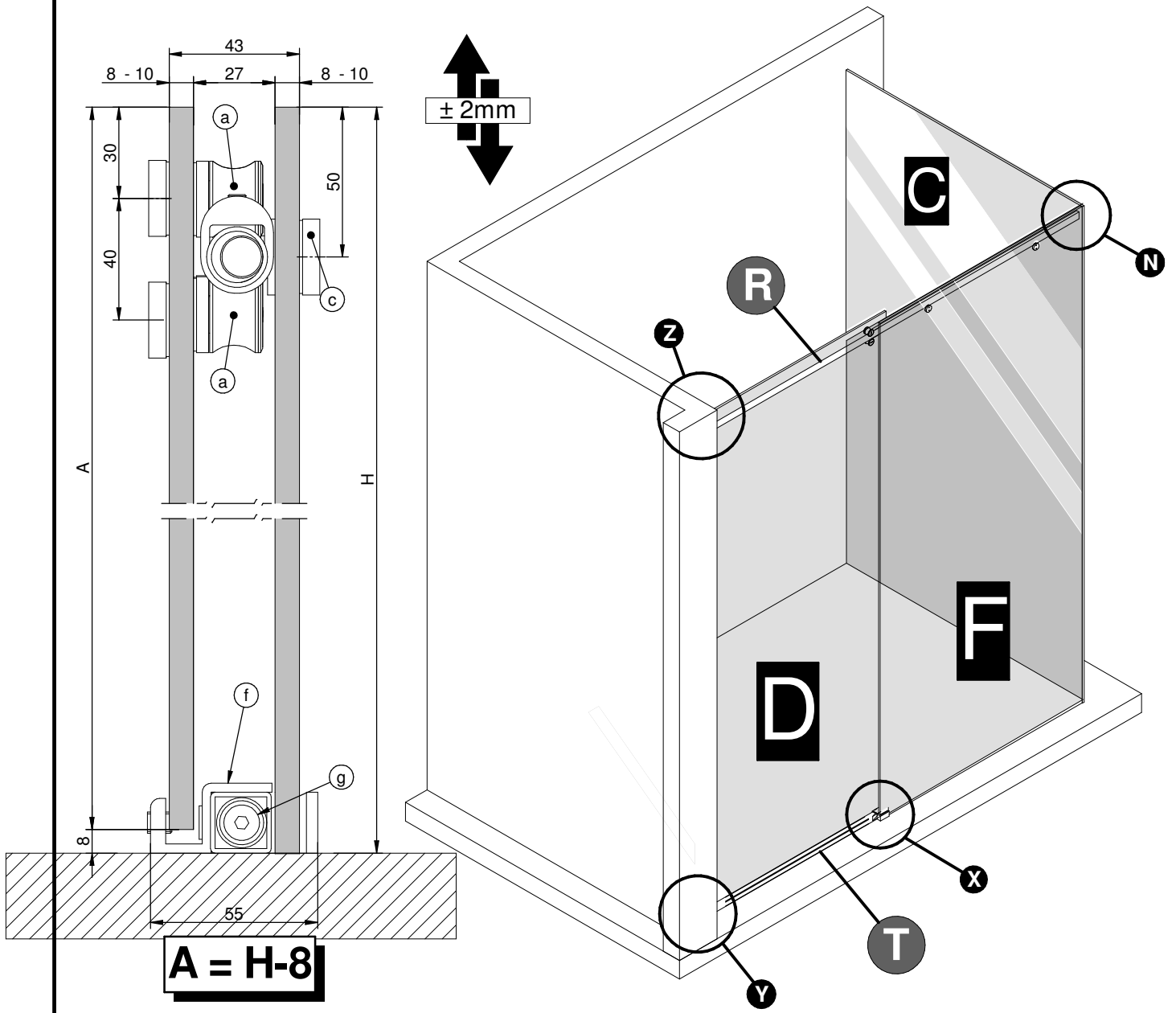


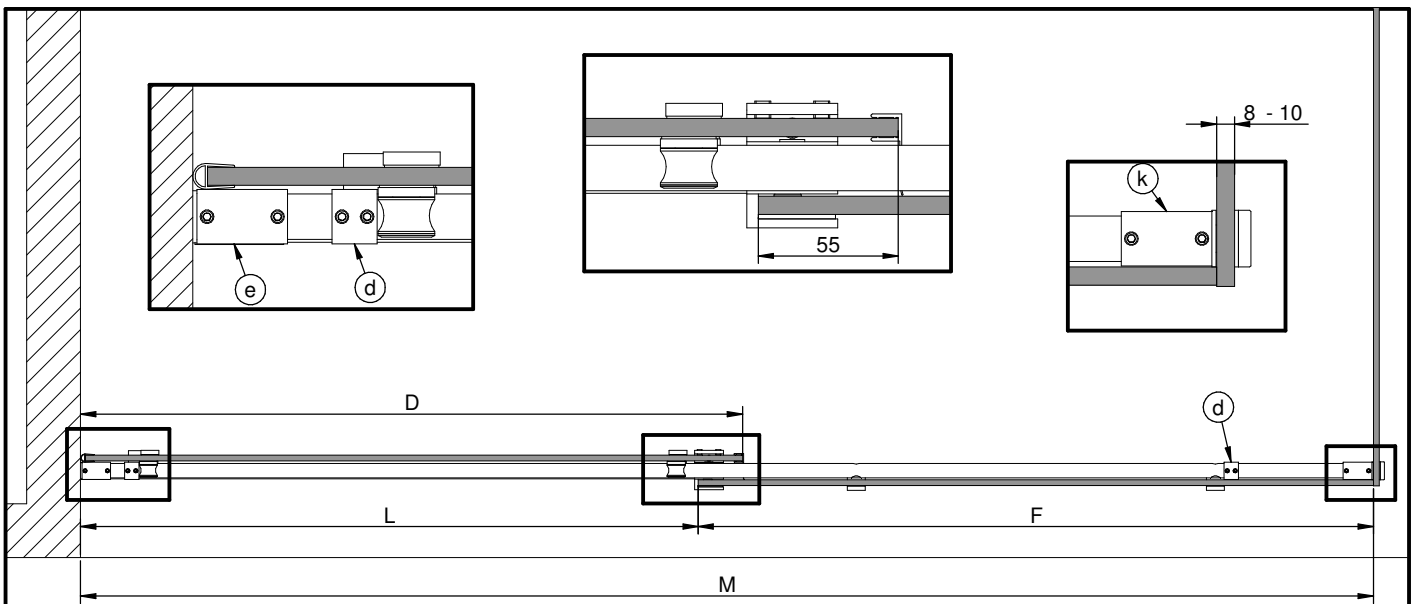
REF. 095002

R		1	S		1
T		1	U		1

a		4
c		2
d		2

e		1
f		1
g		1
h		1
i		1



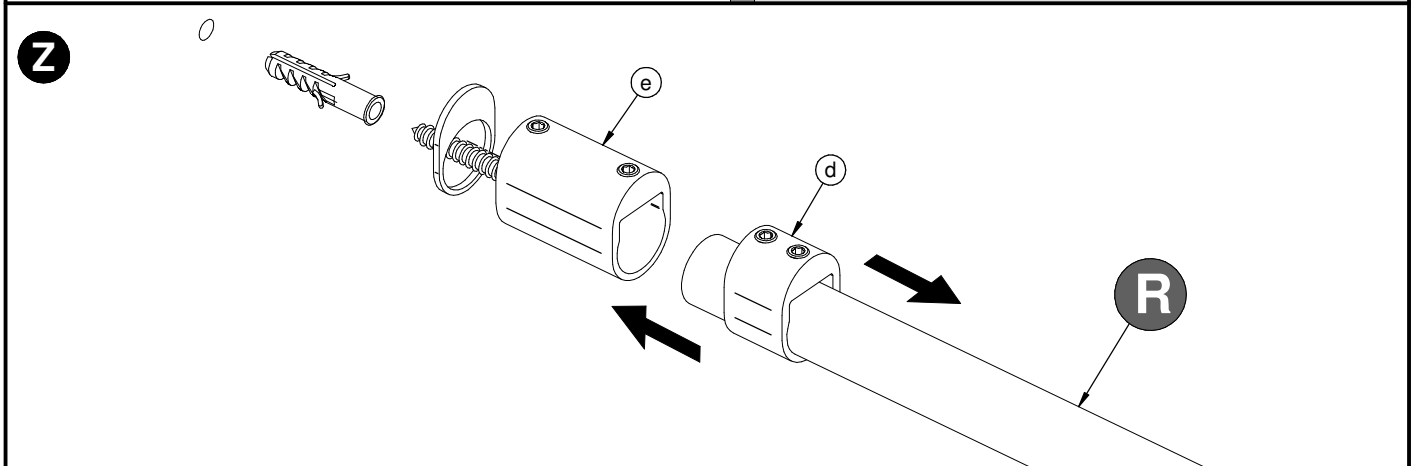
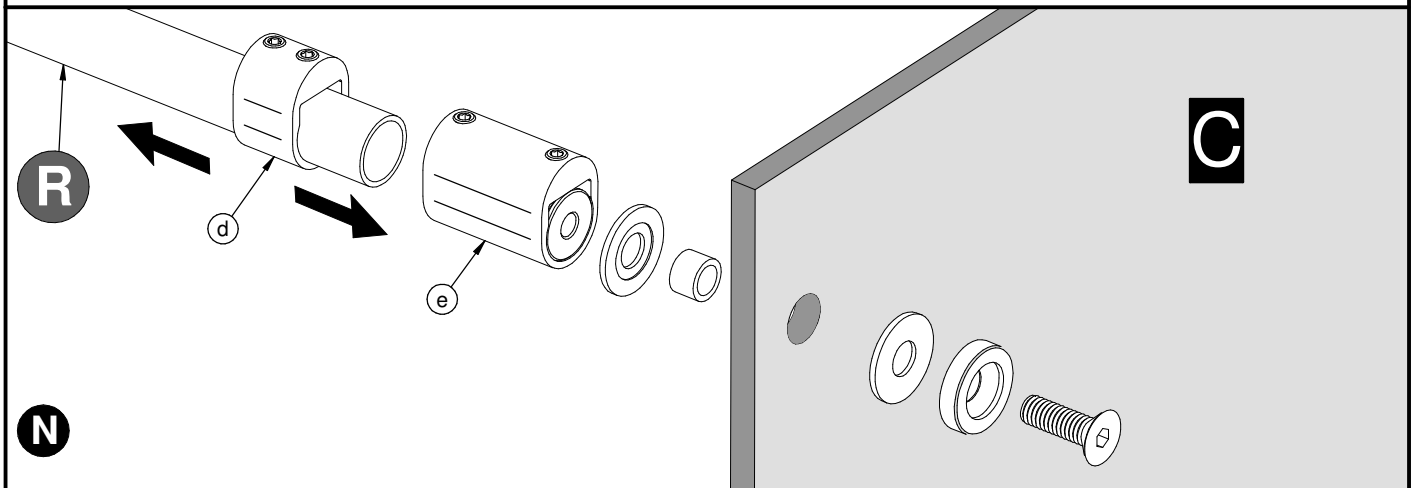
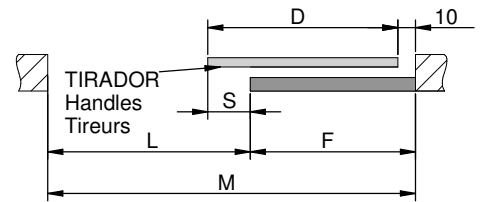
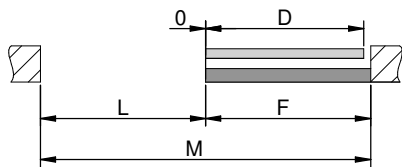


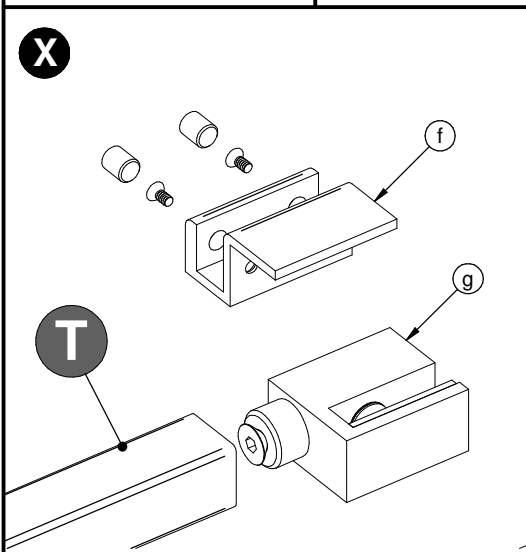
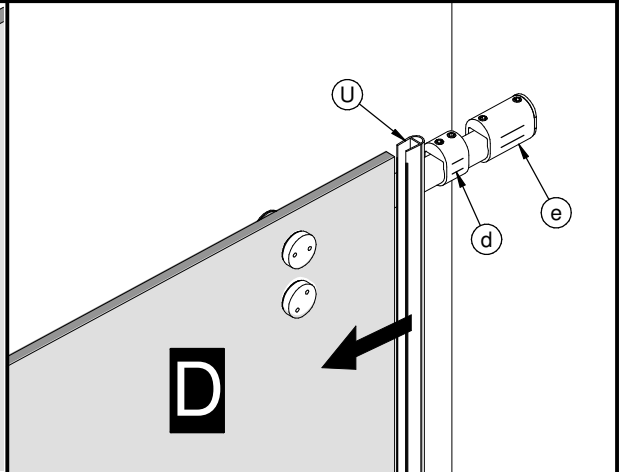
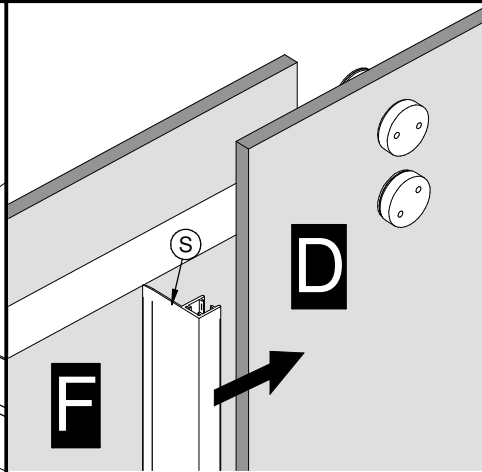
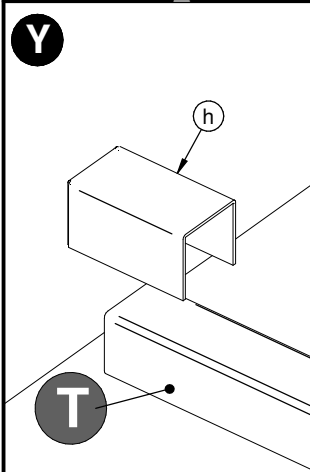
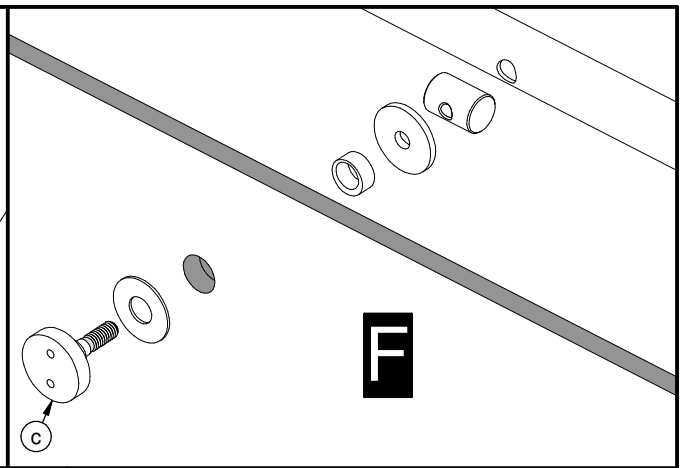
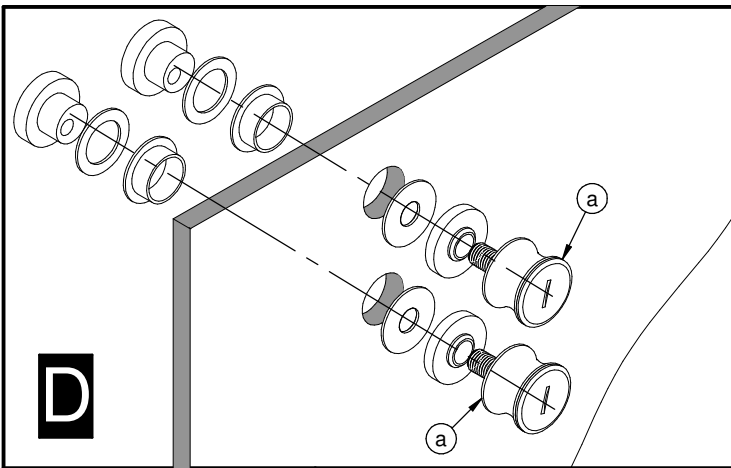
INSTALACION ENRASADA
 Levelled assembly
 Moutage arasé

M = Max. 1800mm.
L = Min. 450mm
D = L + 55mm.
F = M - L mm.

INSTALACION SOLAPADA
 Overlap assembly
 Moutage Sournois

M = Max. 1800mm
L = Min. 450mm
D = $\frac{M + S + 55mm}{2}$
F = M - L mm.



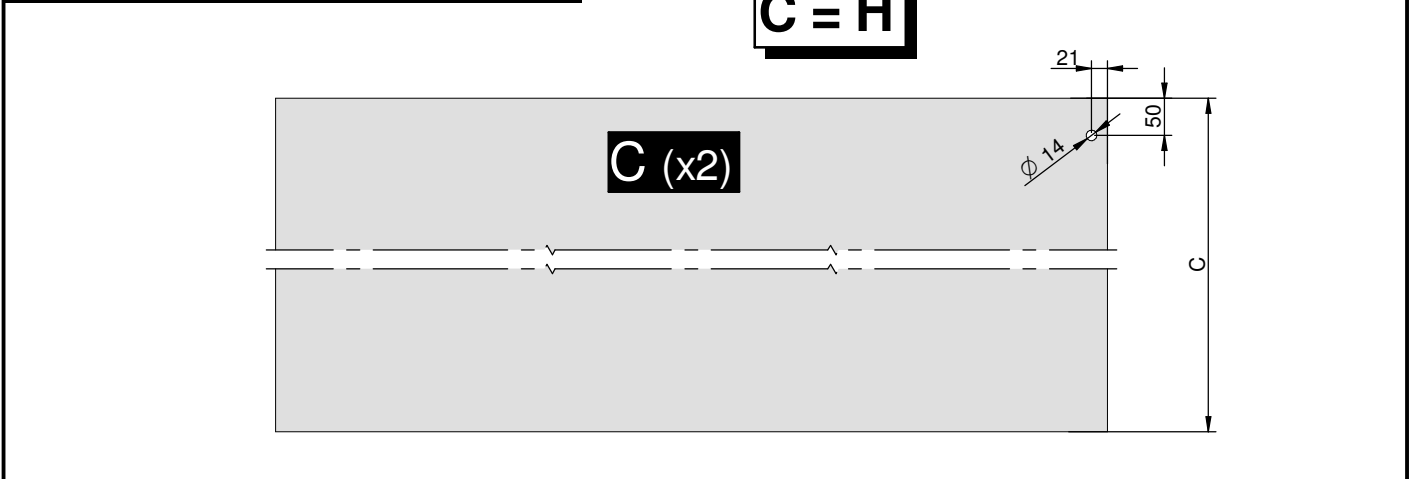


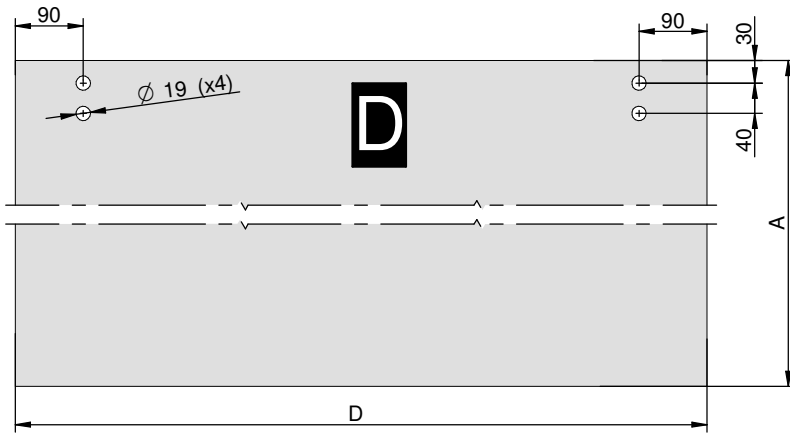
MECANIZADO PERFIL INFERIOR
 Lower Profile preparation
 Profil bas usinage

T

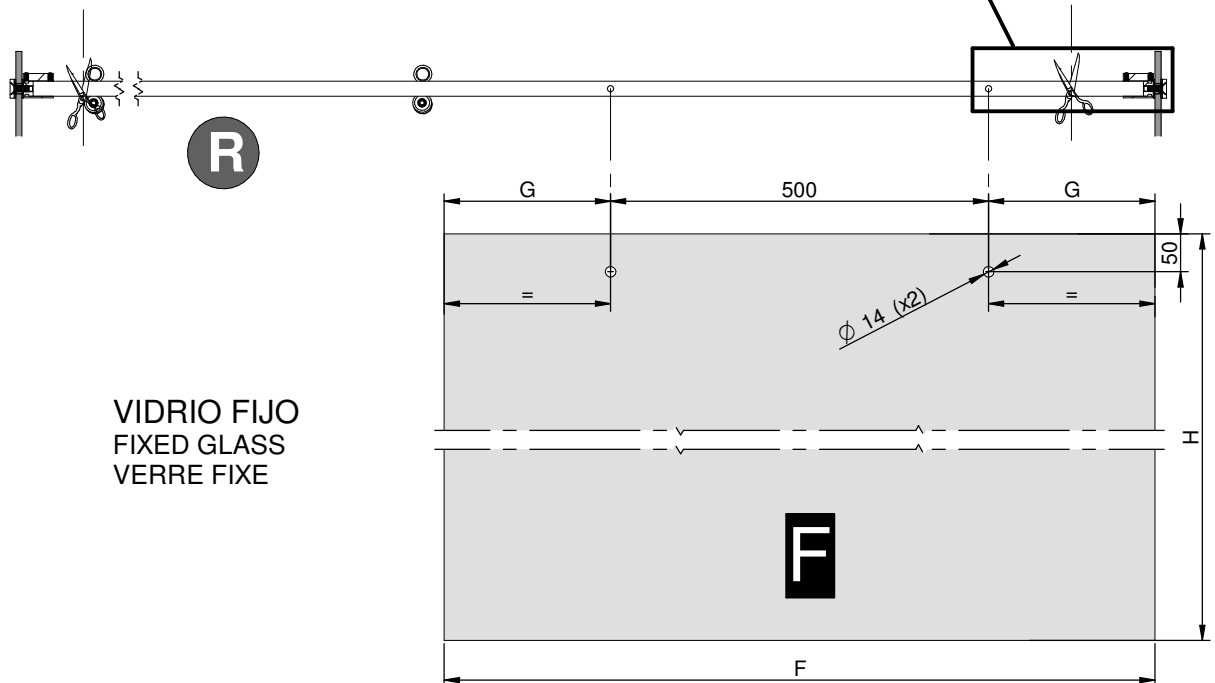
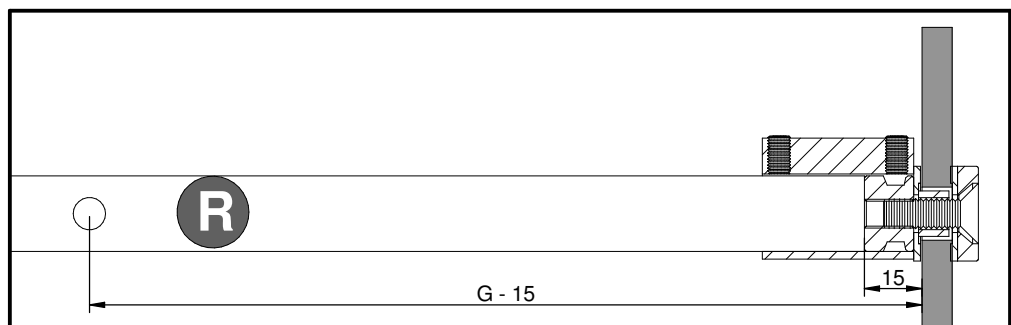
! CORTAR POR UN LADO PARA AJUSTAR
 cut on one side to adjust
 coupé sur un côté pour ajuster

Mecanizado vidrio lateral
 Side glass machining / Usinage de verr de côté





PUERTA CORREDERA
SLIDING DOOR
PORTE COULISSANTE



VIDRIO FIJO
FIXED GLASS
VERRE FIXE



CORTAR POR DOS LADOS PARA AJUSTAR
cut on two sides to adjust
couper sur les deux côtés pour ajuster