



SV-X110

(Retenedor)

sistemas para puertas correderas

Poligono Industrial Foradada - 08580 - Sant Quirze de Besora (Barcelona)

Telf. 34-93.852.92.23

Export. Telf. 34-93.852.96.15

e-mail: saheco@saheco.com - web: www.saheco.com

MADE IN E.U.

GRUPO TORREMAT

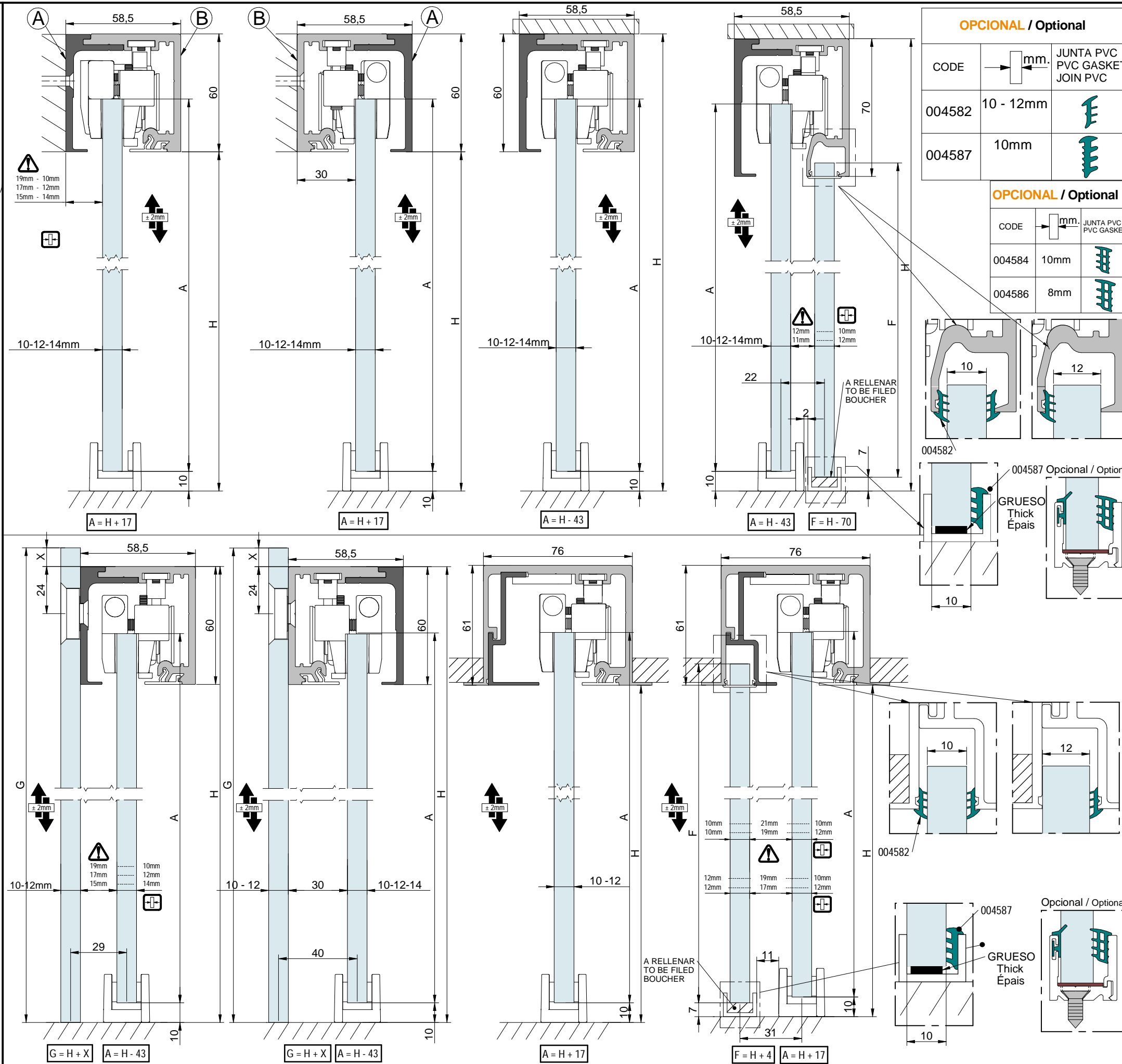


DEC.2023

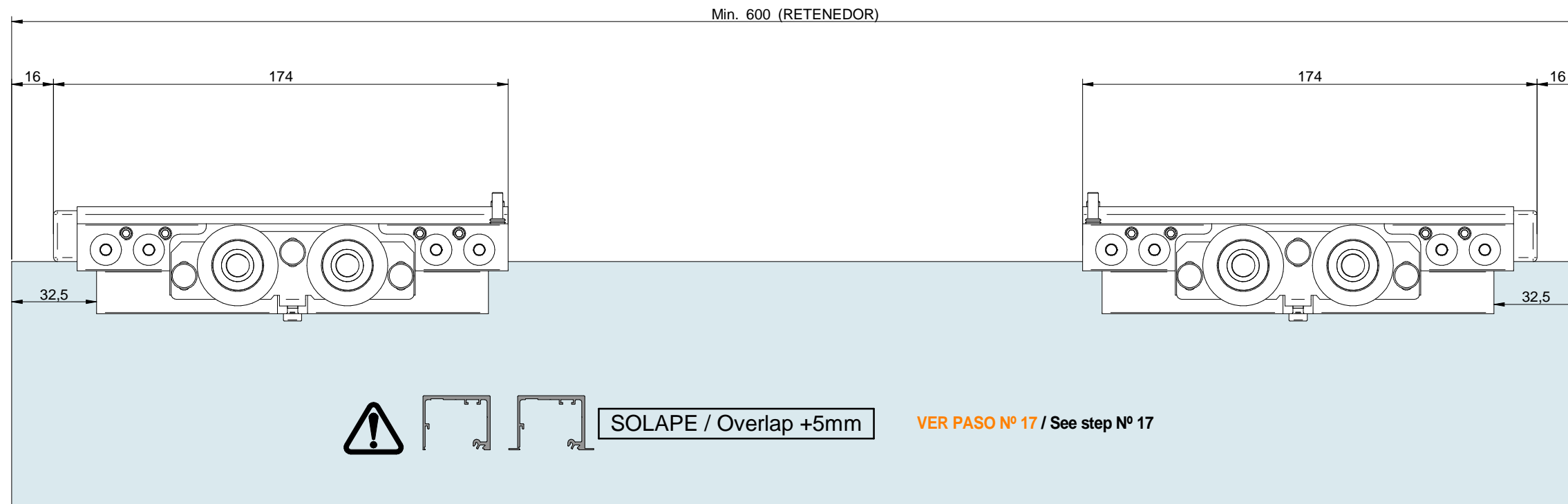
038060882

REF. 0 109 00

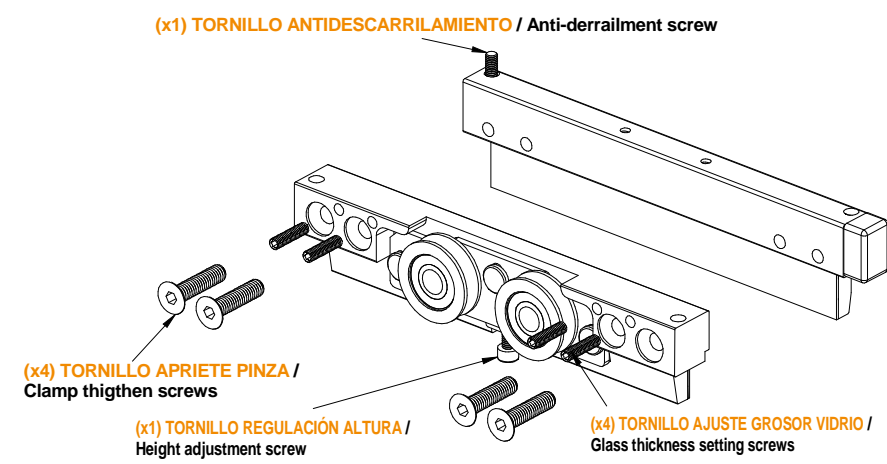
| | | |
|--|---|---|
| | <p>INCLUIDO SOLO EN KITS Included only in kits</p> <p>x2 10 mm x2 12 mm x2 14 mm</p> | 1 |
| | | 1 |
| | <p>RETENEDOR / Retaining Stopper</p> | 2 |



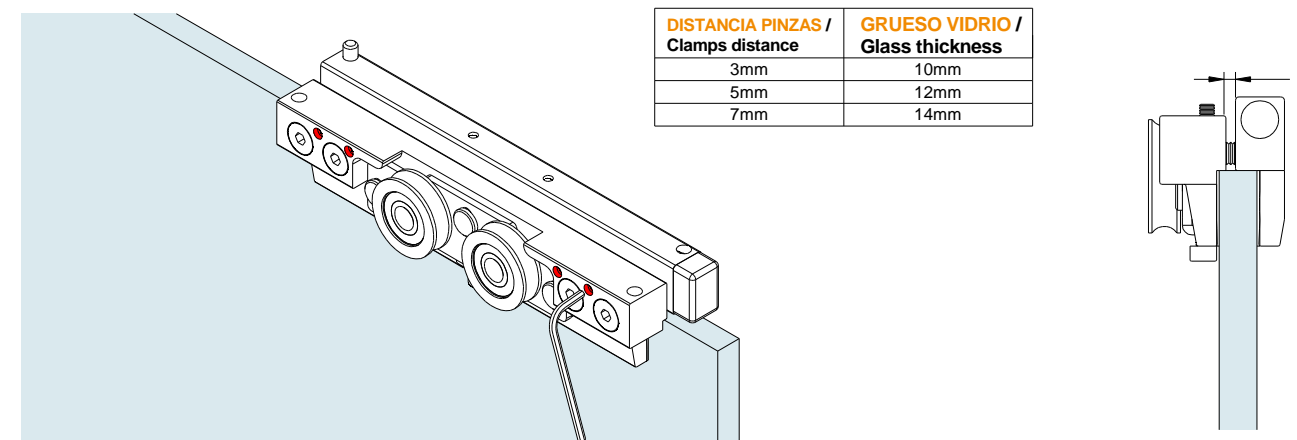
1 MONTAJE PINZAS / Clamps assembly



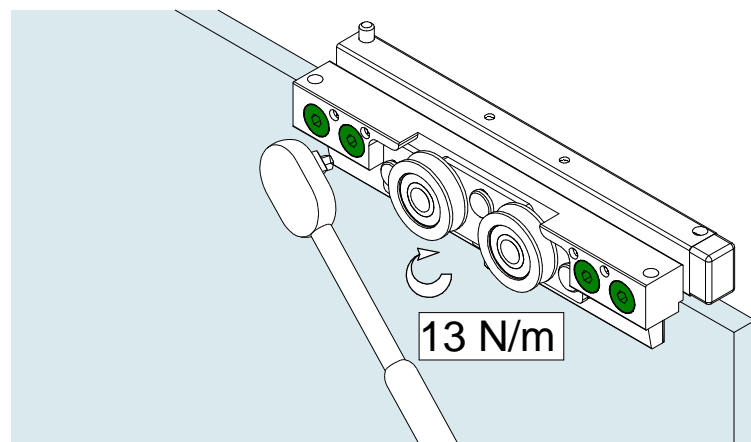
2



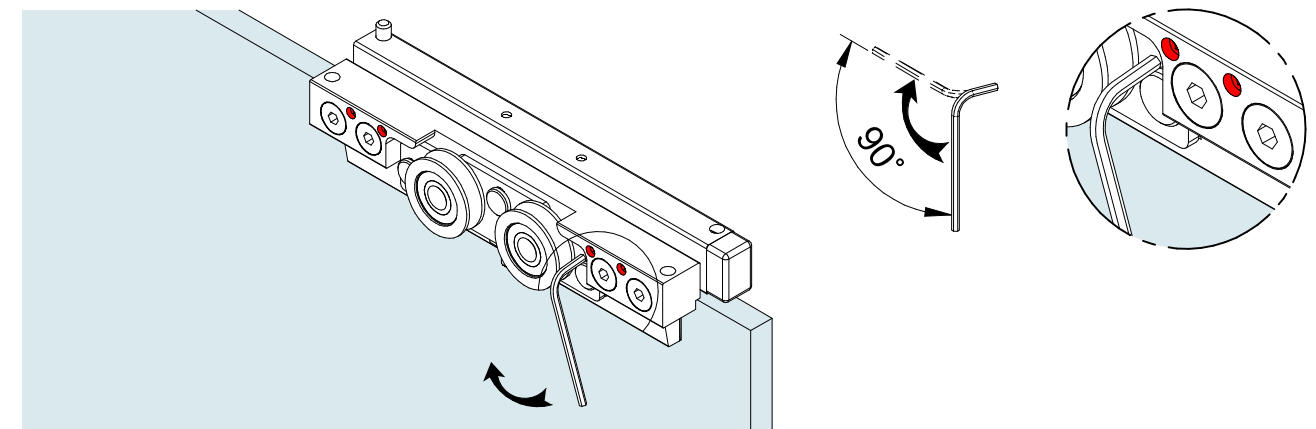
3 PRIMER PASO: AJUSTAR TORNILLOS AJUSTE GROSOR VIDRIO / First step: Adjust glass thickness screws



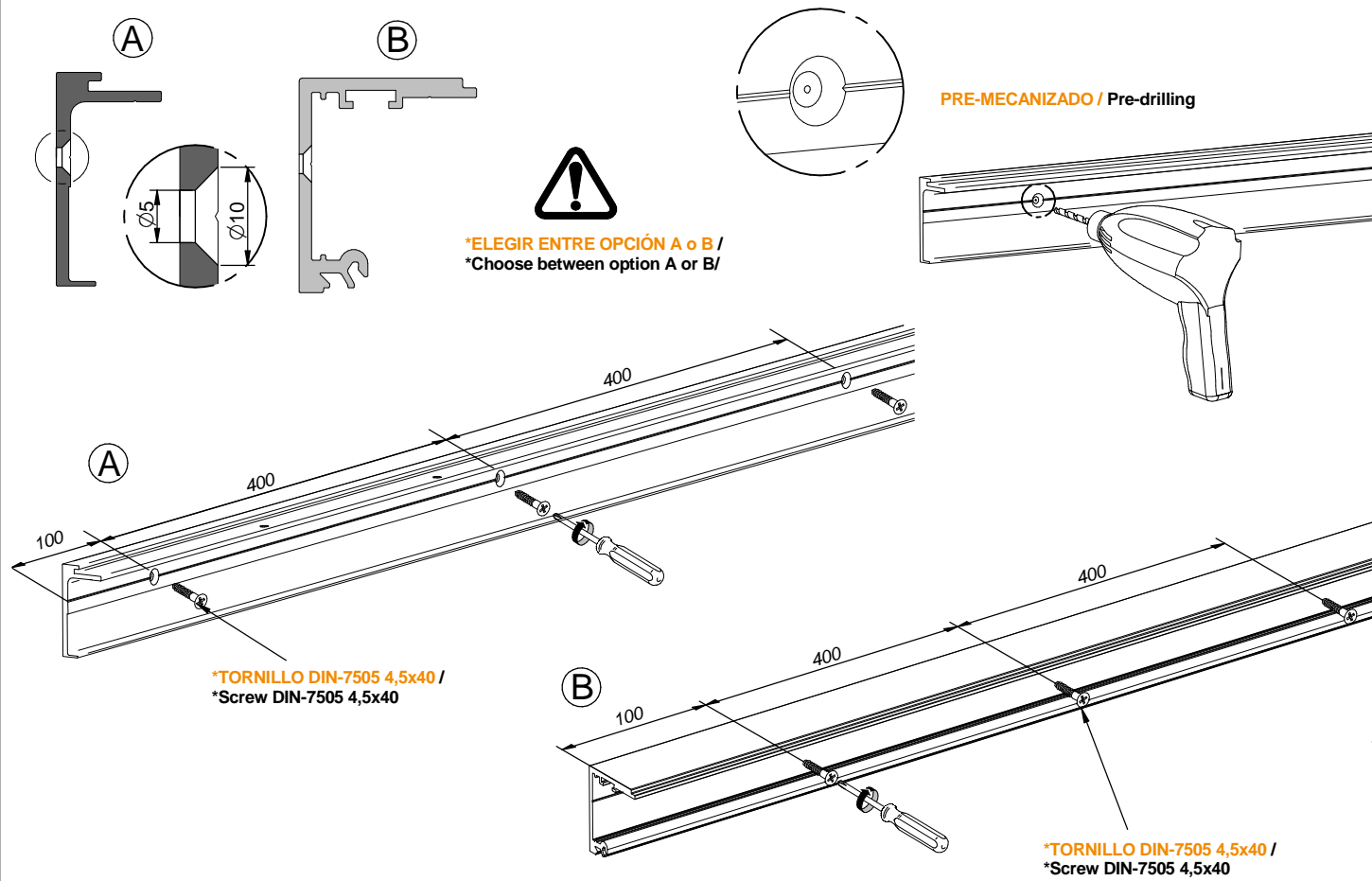
4 SEGUNDO PASO: APRETAR TORNILLOS APRIETE PINZA / Second step: Strenght clamp thigthen screws



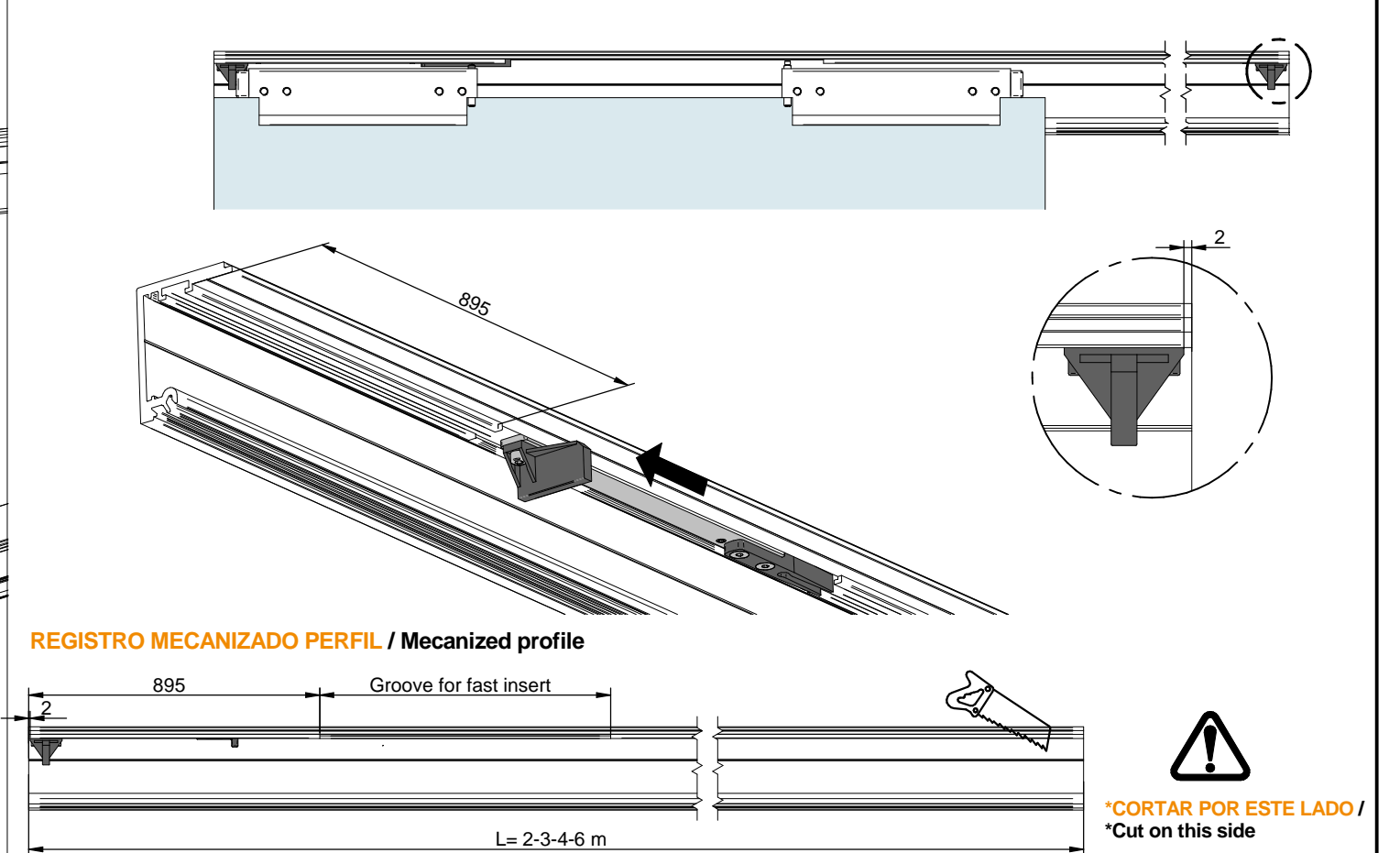
5 TERCER PASO: APRETAR TORNILLOS AJUSTE GROSOR VIDRIO / Third step: Strenght the glass thickness screws



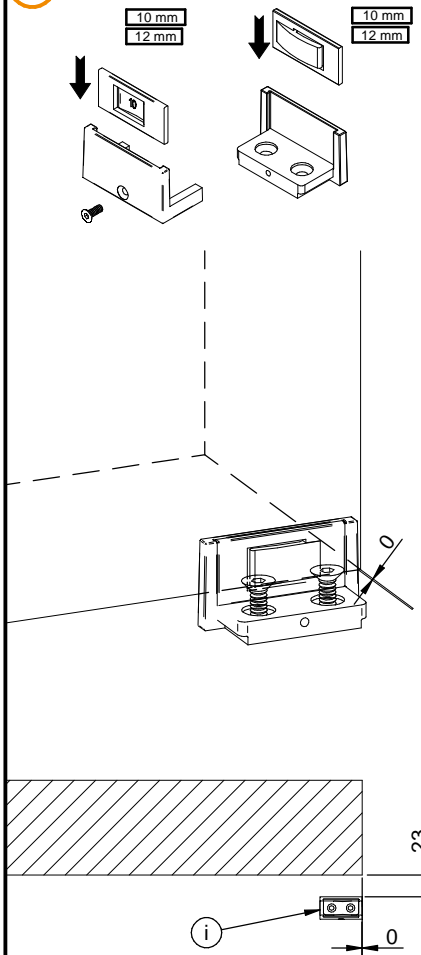
6 MONTAJE A PARED / Wall mount



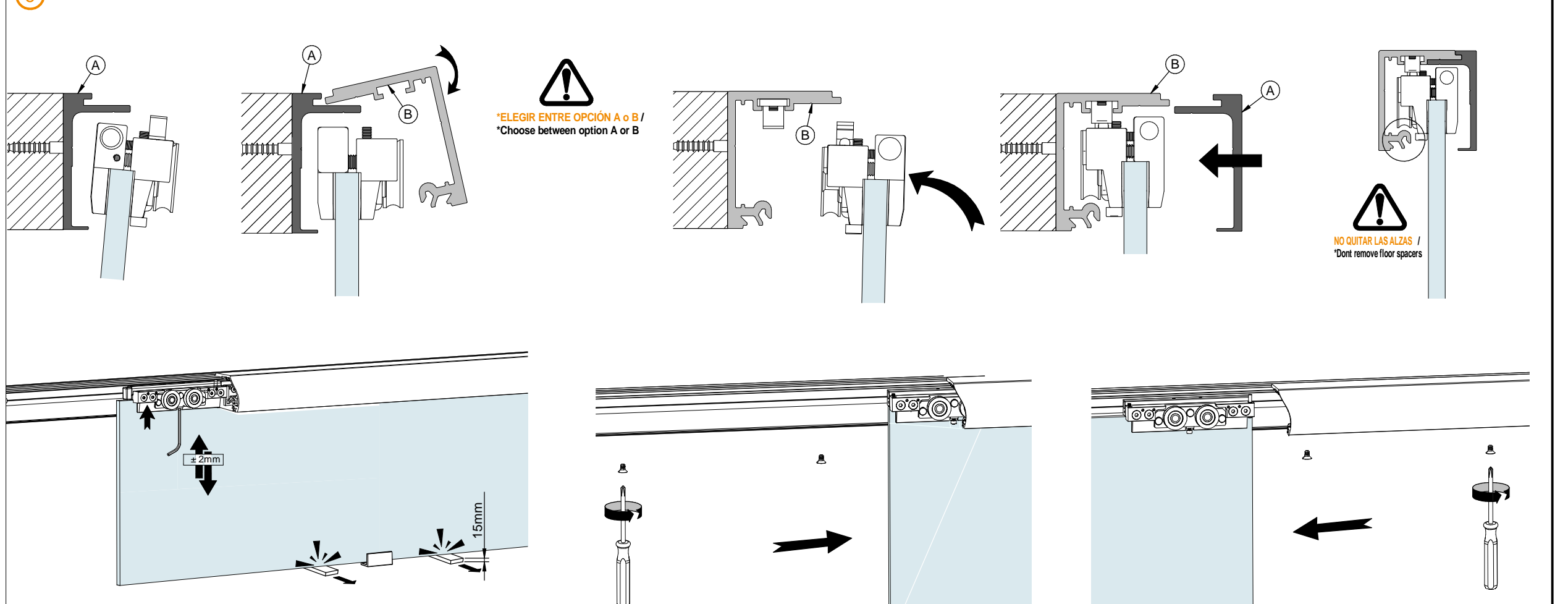
7 MONTAJE A TOPE ANTISHOCK-RETENEDOR / Antishock - retainer stopper mount



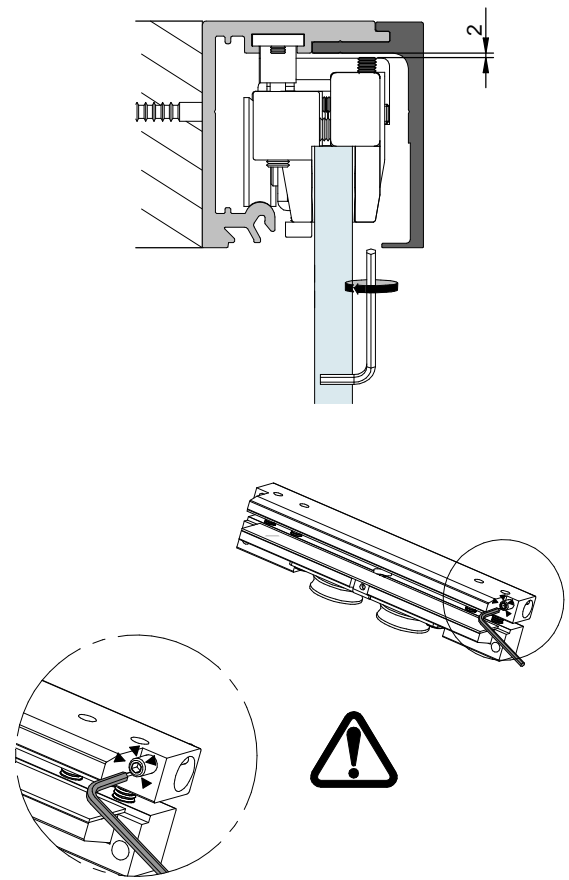
8 GUIADOR / Guide/ Guide



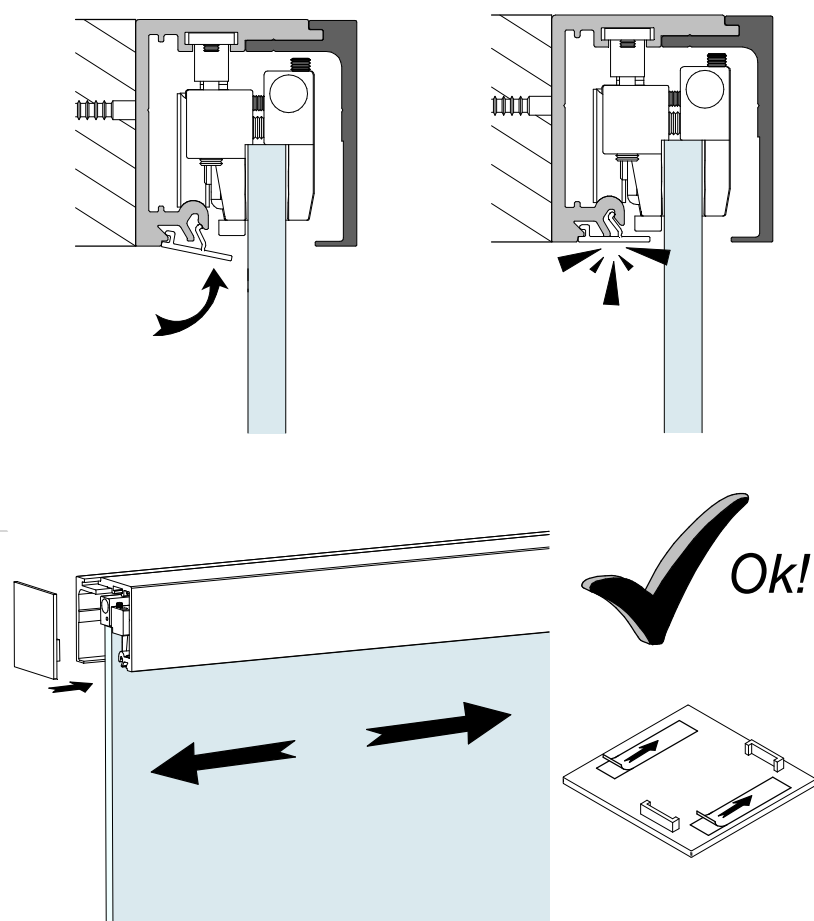
9 MONTAJE HOJA / GLASS ASSEMBLY



10 ANTIDESCARRILAMIENTO / Anti-derailment

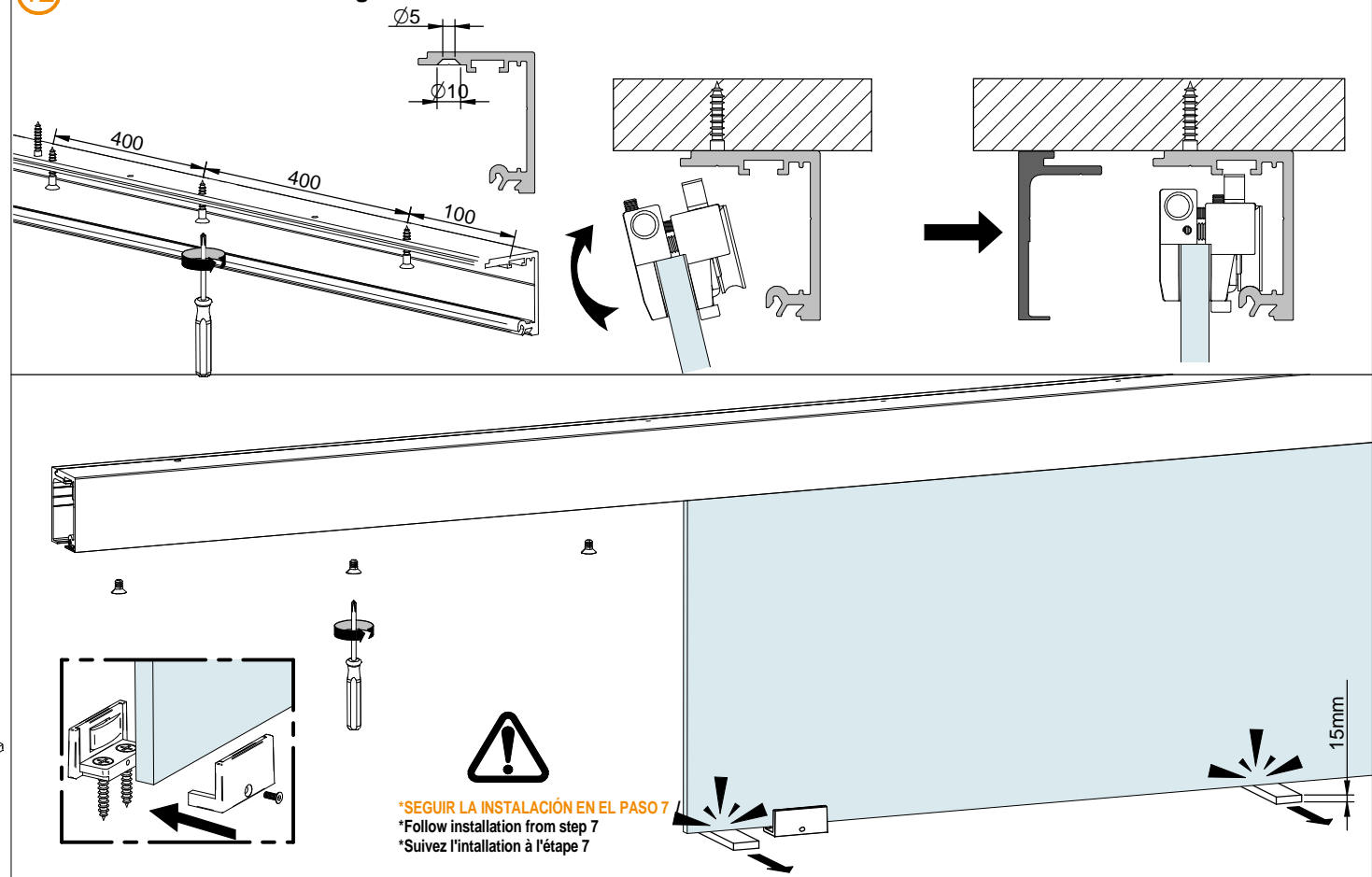


11 MONTAJE EMBELLECEDORES / End covers mount/



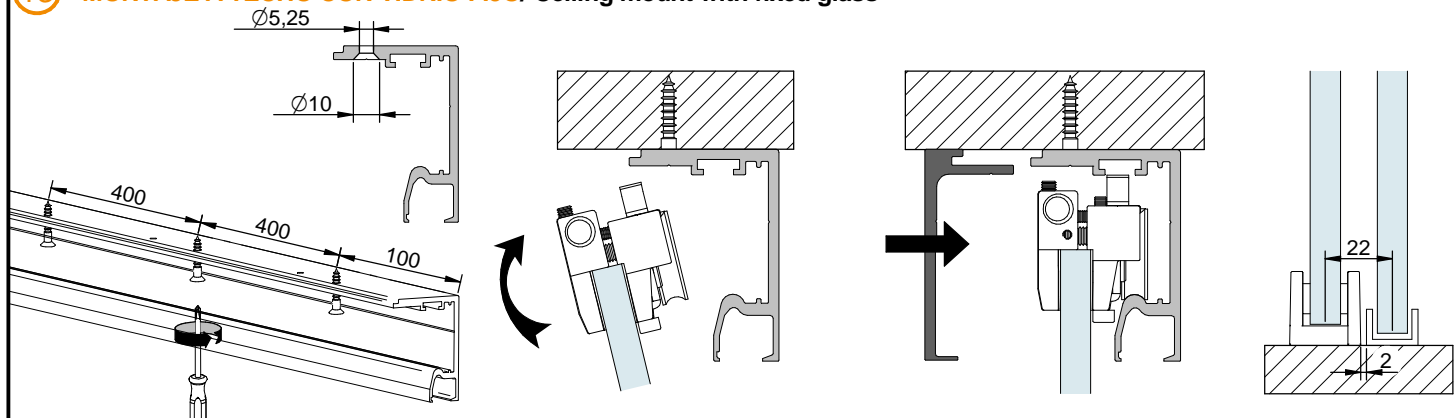
VARIANTES DE INSTALACIÓN/ Installation variants

12 MONTAJE A TECHO/ Ceiling mount



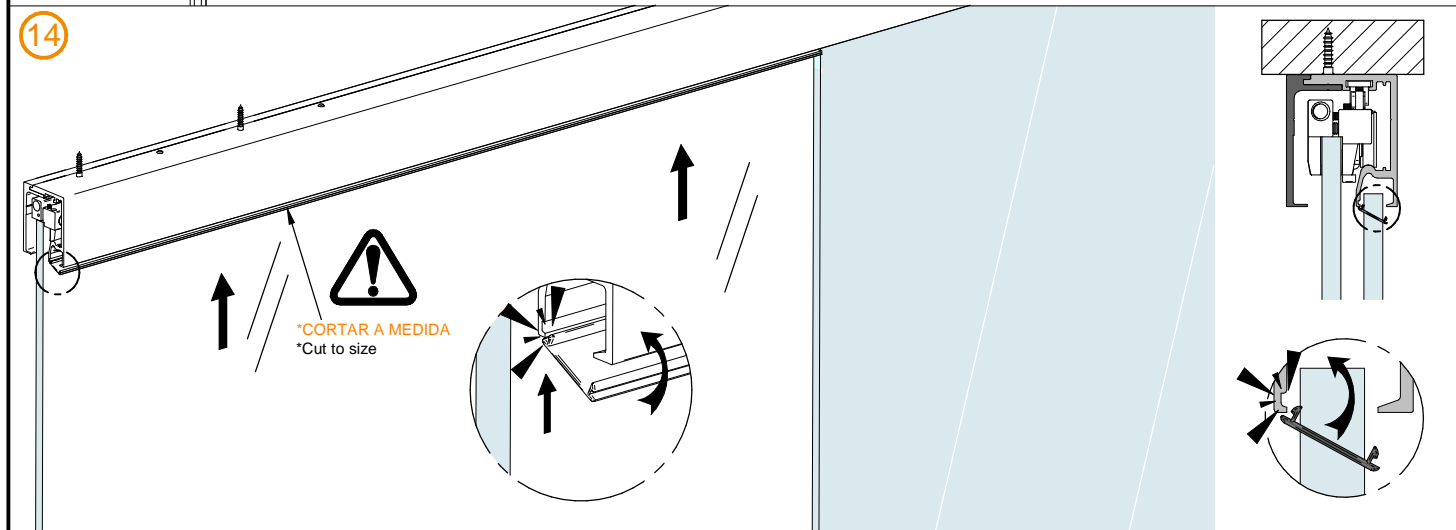
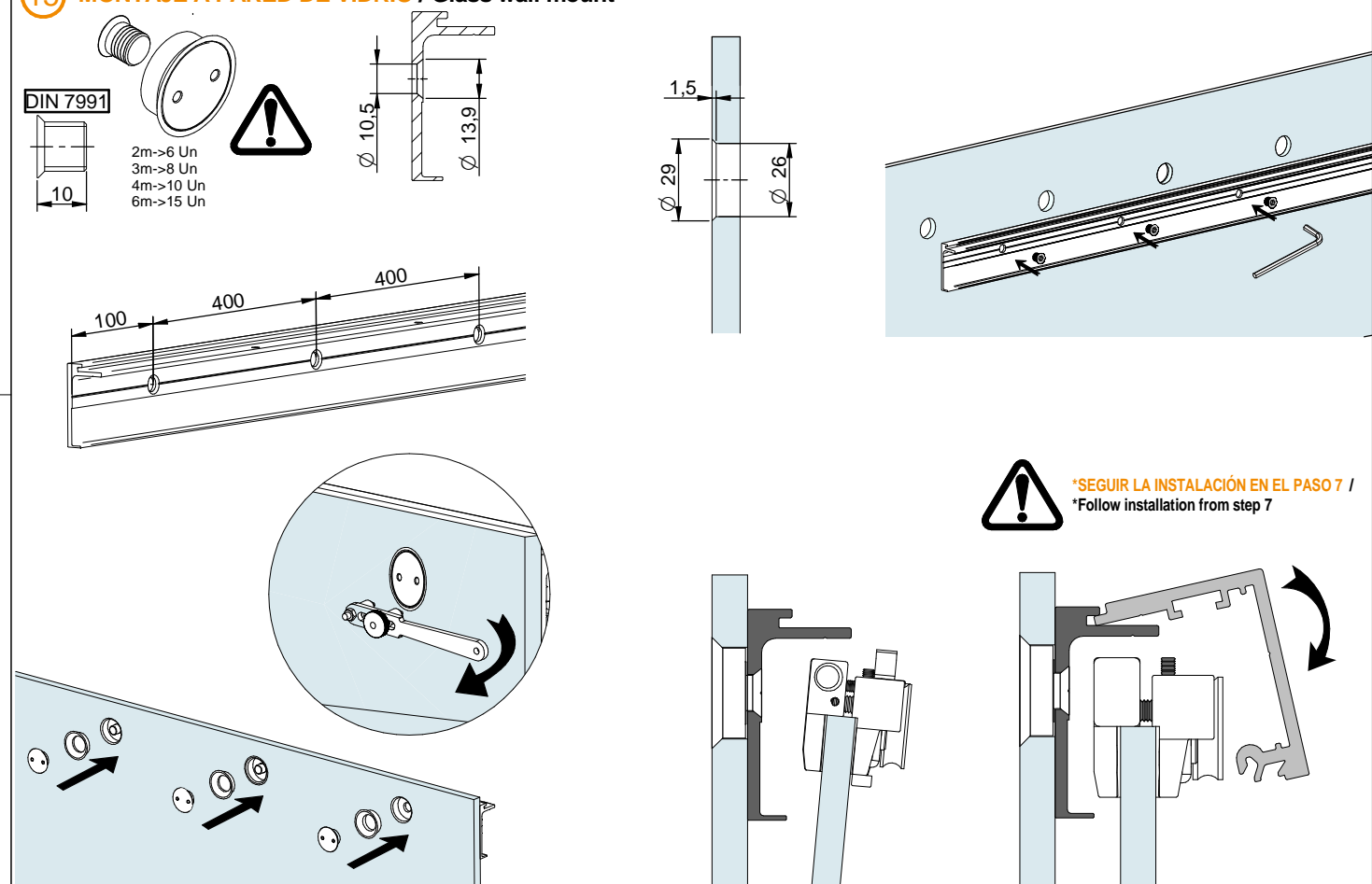
VARIANTES DE INSTALACIÓN/ Installation variants

13 MONTAJE A TECHO CON VIDRIO FIJO/ Ceiling mount with fixed glass



VARIANTES DE INSTALACIÓN/ Installation variants

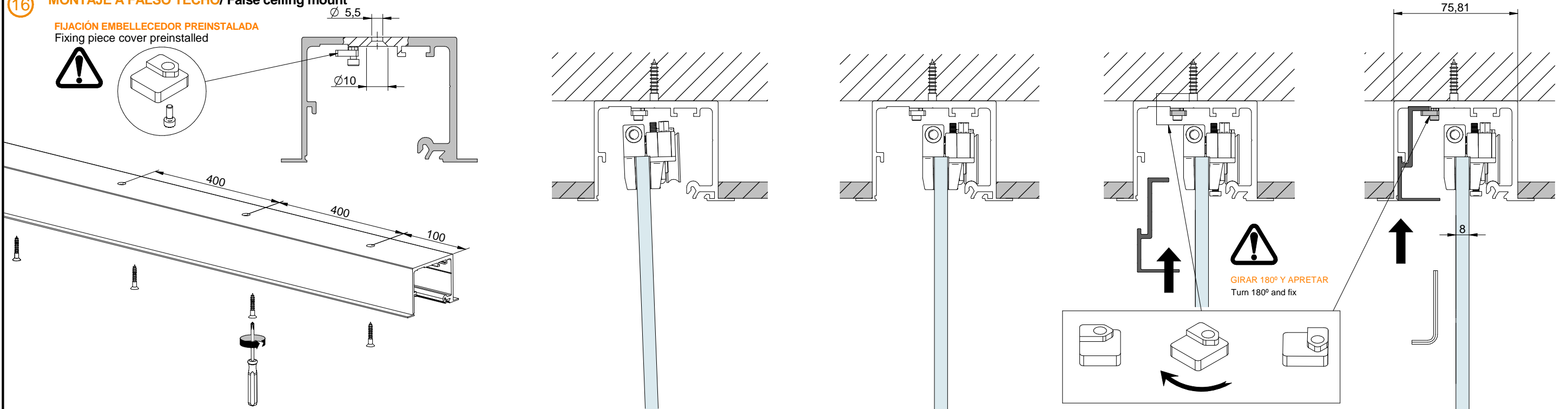
15 MONTAJE A PARED DE VIDRIO / Glass wall mount



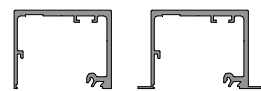
VARIANTES DE INSTALACIÓN/ Installation variants

16 MONTAJE A FALSO TECHO/ False ceiling mount

FIJACIÓN EMBELLECEDOR PREINSTALADA
Fixing piece cover preinstalled



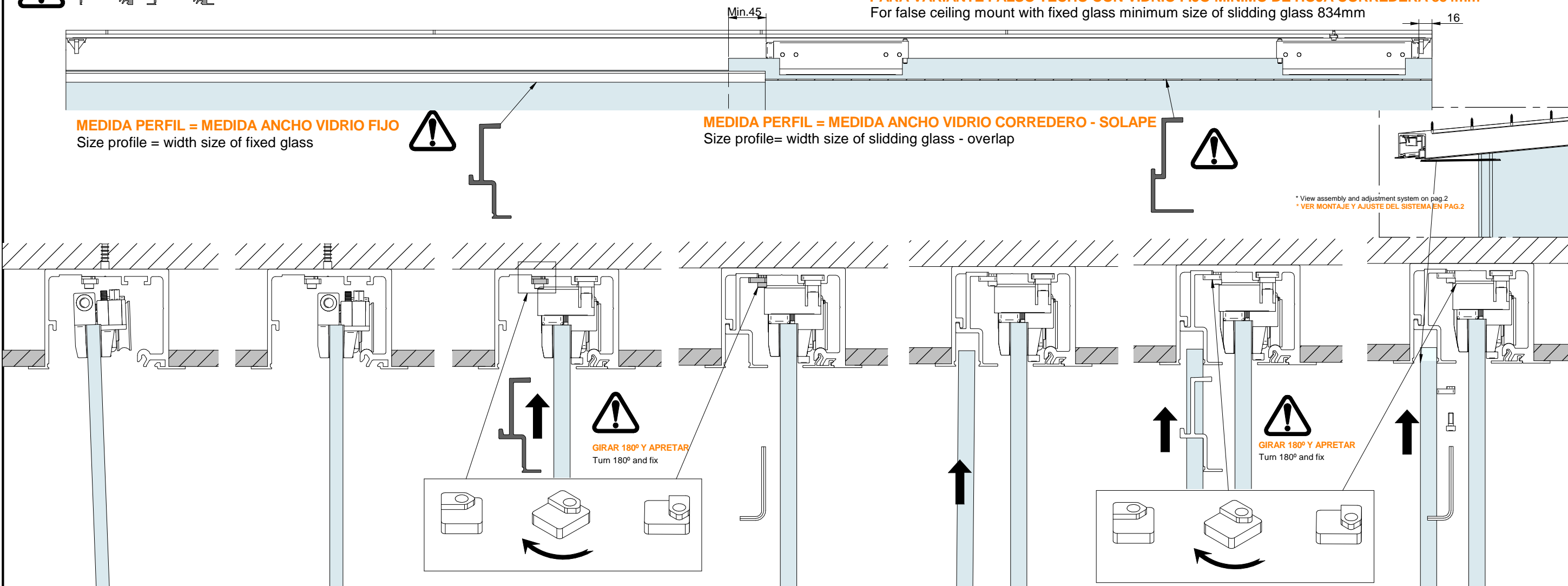
17 MONTAJE A FALSO TECHO CON VIDRIO FIJO/ False ceiling mount with fixed glass



PERFIL FRAME - PERIL FRAME FT / profile Frame

SOLAPE RECOMENDADO / Recommended Overlap

PARA VARIANTE FALSO TECHO CON VIDRIO FIJO MINIMO DE HOJA CORREDERA 834mm
For false ceiling mount with fixed glass minimum size of sliding glass 834mm



MEDIDA PERFIL = MEDIDA ANCHO VIDRIO FIJO
Size profile = width size of fixed glass

MEDIDA PERFIL = MEDIDA ANCHO VIDRIO CORREDERO - SOLAPE
Size profile = width size of sliding glass - overlap