

saheco Serie SV

VIDRIO / Glass 8 / 10 / 12mm

Poligono Industrial Foradada - 08580 - Sant Quirze de Besora (Barcelona)
 Telf. 34-93.852.92.23, Fax.34-93.852.91.59
 Export. Telf. 34-93.852.96.15, Fax.34-93.852.91.76
 e-mail: saheco@saheco.com - web: www.saheco.com

MADE IN E.U.



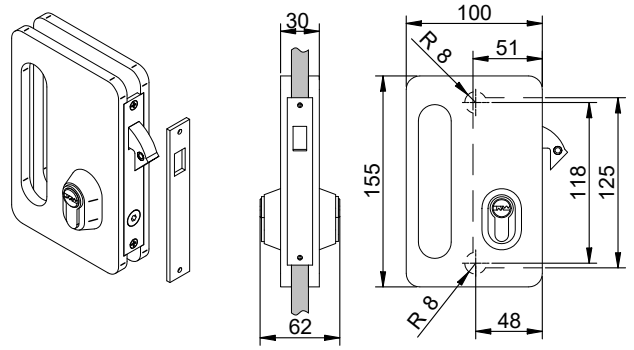
**CODE:
006660**

21-02-2020

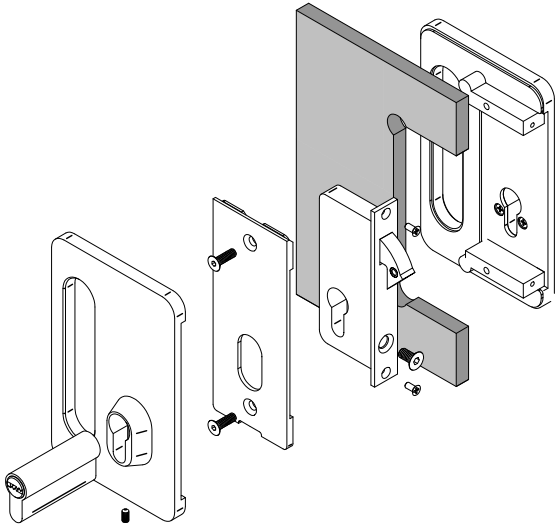
038060067

CERRADURA CON GANCHO PARA PUERTA CORREDERA /
Glass door lock with strike.

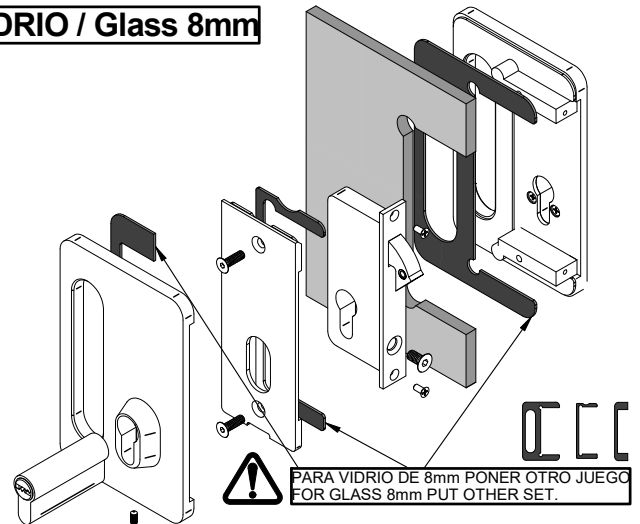
ALUMINIO ANODIZADO / Anodized aluminium



VIDRIO / Glass 10mm - 12mm



VIDRIO / Glass 8mm



**PARA VIDRIO DE 8mm PONER OTRO JUEGO
FOR GLASS 8mm PUT OTHER SET.**

saheco Serie SV

VIDRIO / Glass 8 / 10 / 12mm

Poligono Industrial Foradada - 08580 - Sant Quirze de Besora (Barcelona)
 Telf. 34-93.852.92.23, Fax.34-93.852.91.59
 Export. Telf. 34-93.852.96.15, Fax.34-93.852.91.76
 e-mail: saheco@saheco.com - web: www.saheco.com

MADE IN E.U.



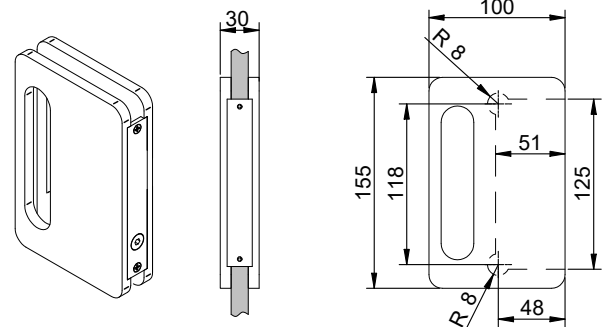
**CODE:
006661**

21-02-2020

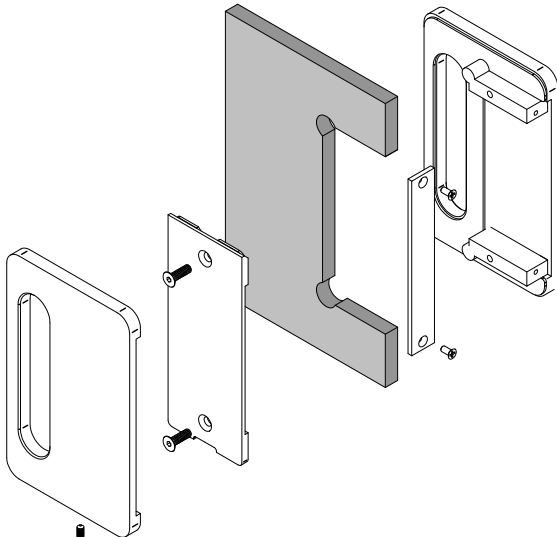
038060067

CERRADERO PARA PUERTA CORREDERA DE VIDRIO/
Glass door lock strike box

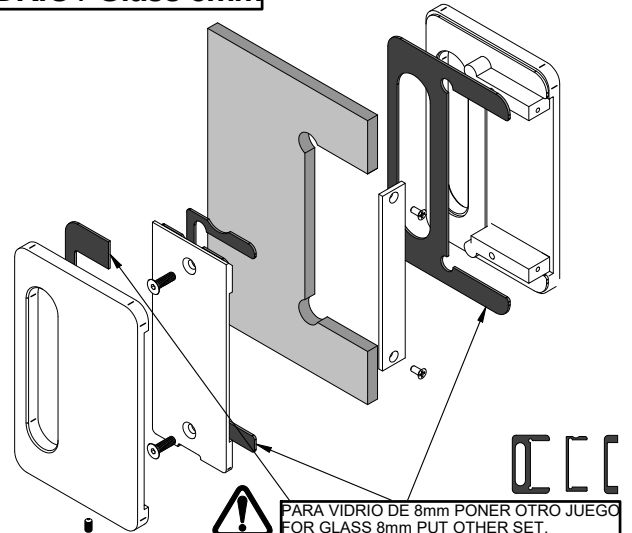
ALUMINIO ANODIZADO / Anodized aluminium



VIDRIO / Glass 10mm - 12mm



VIDRIO / Glass 8mm



**PARA VIDRIO DE 8mm PONER OTRO JUEGO
FOR GLASS 8mm PUT OTHER SET.**

Serie SV

CERRADURA / CERRADOR / Lock / Serrure
CODE: 006660 / 006661 / 006662 / 006663 / 006665 / 006666

MEDIDAS MECANIZADO VIDRIO / Glass drilling / Usinage du verre

