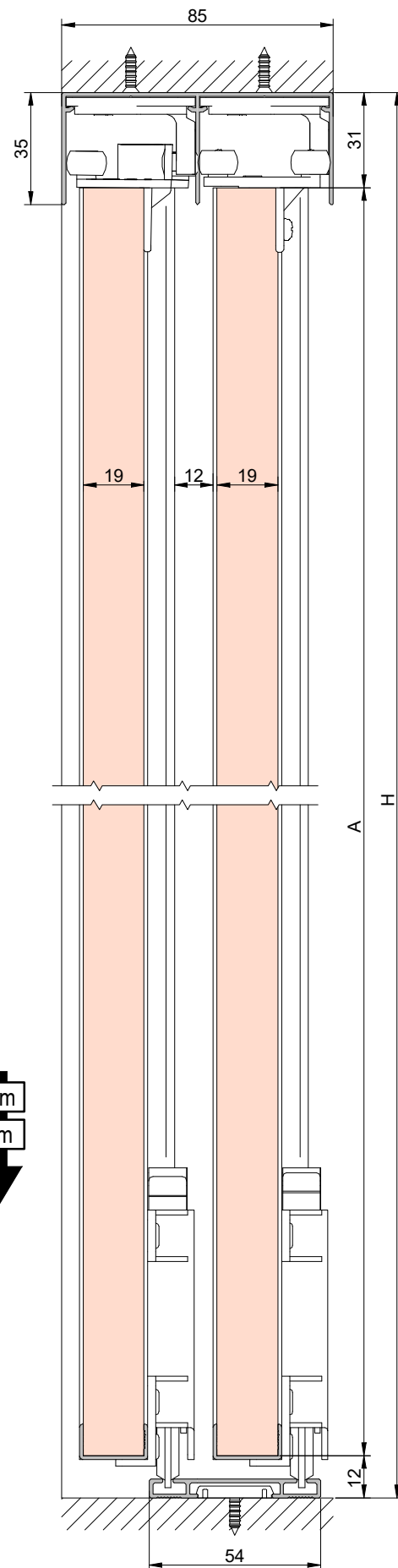


COMPONENTES / components

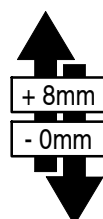
47/01 x 2 JUEGOS sets

47/67 x 4 JUEGOS sets

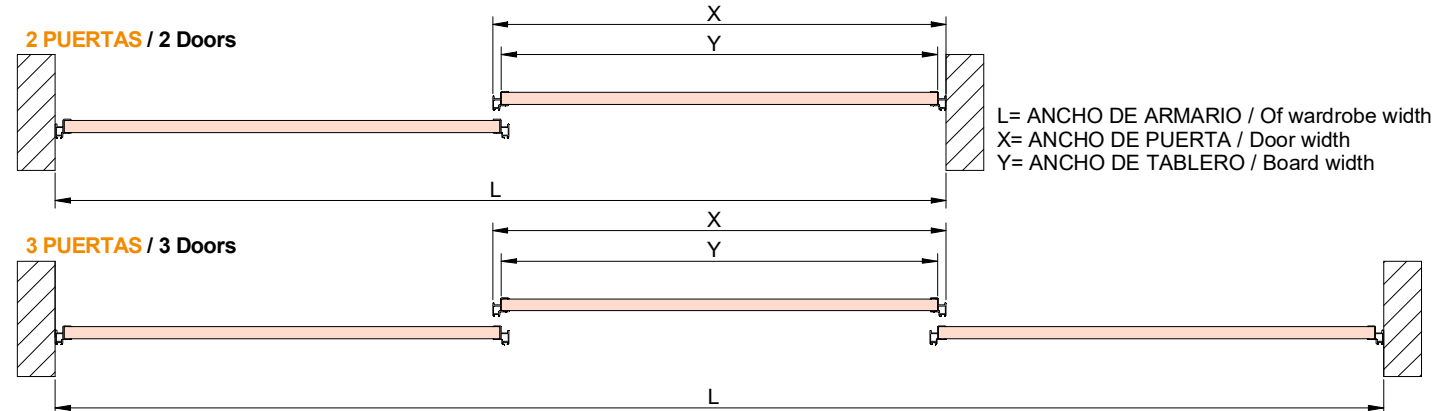
47/65 2m -- 3 PIEZAS / Pieces
 3m -- 4 PIEZAS / Pieces
 5m -- 5 PIEZAS / Pieces



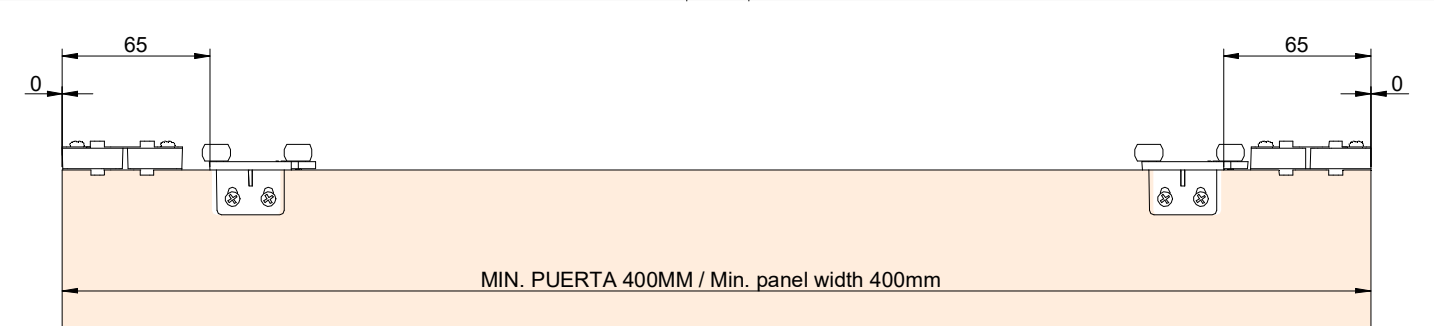
A = H - 43



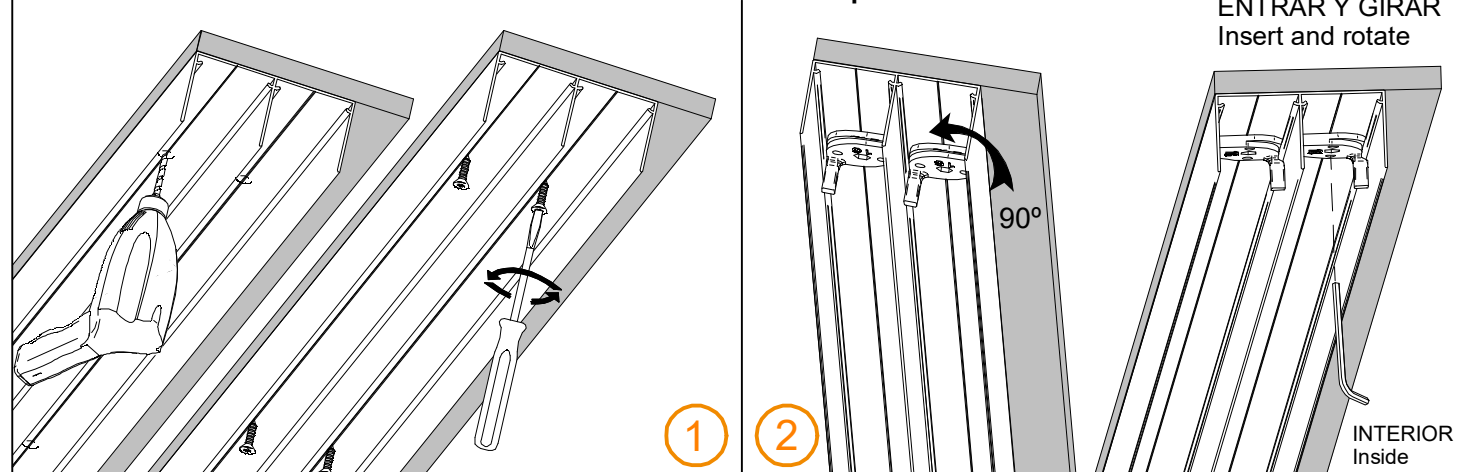
CALCULO ANCHO DE HOJAS / Calculation of door leaf width



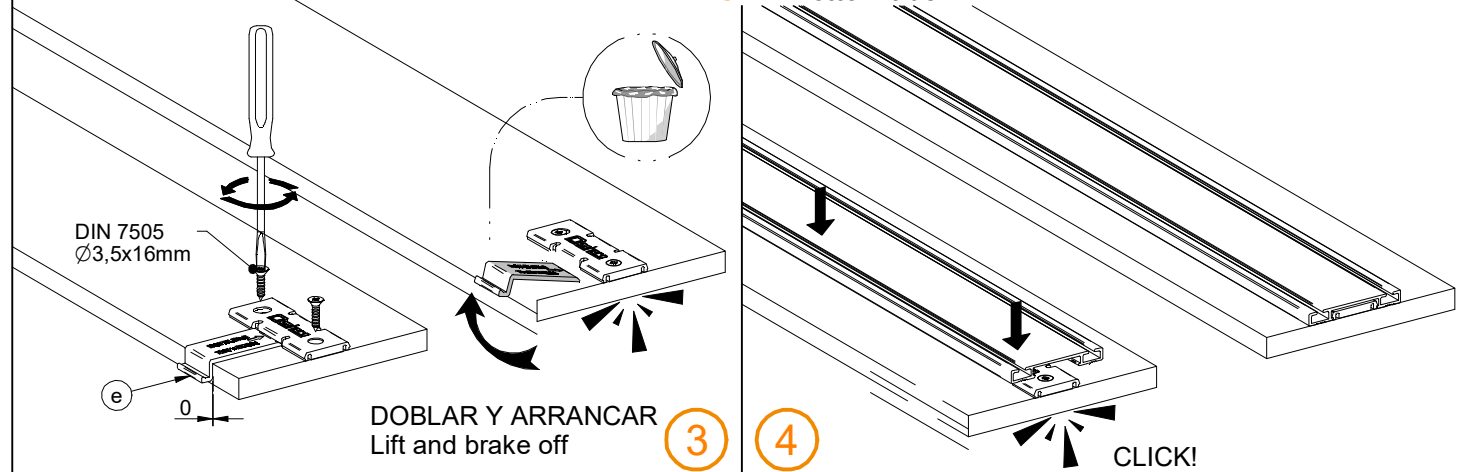
TIRADOR Vertical profile	MINIMALISTA Minimalist	ESTANDAR Standard	2 PUERTAS / 2 Doors	3 PUERTAS / 3 Doors
			$Y = \frac{L}{2} - 11,5$	$Y = \frac{L}{3} - 11,5$
$Y = \frac{L}{2} - 33$	$Y = \frac{L}{3} - 33$			



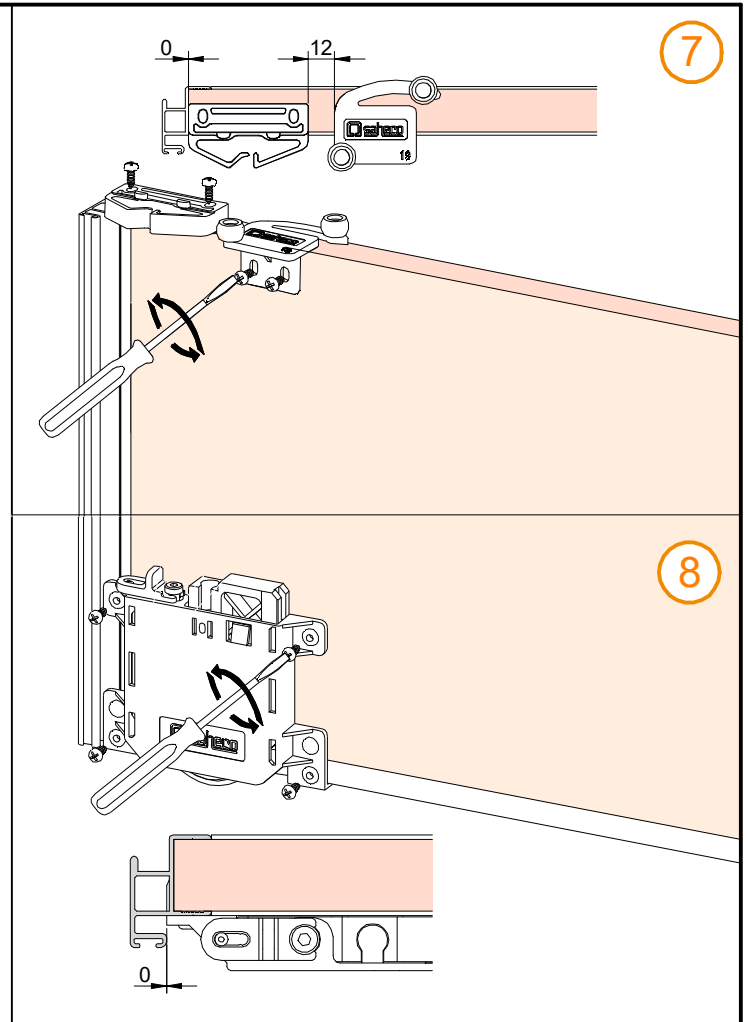
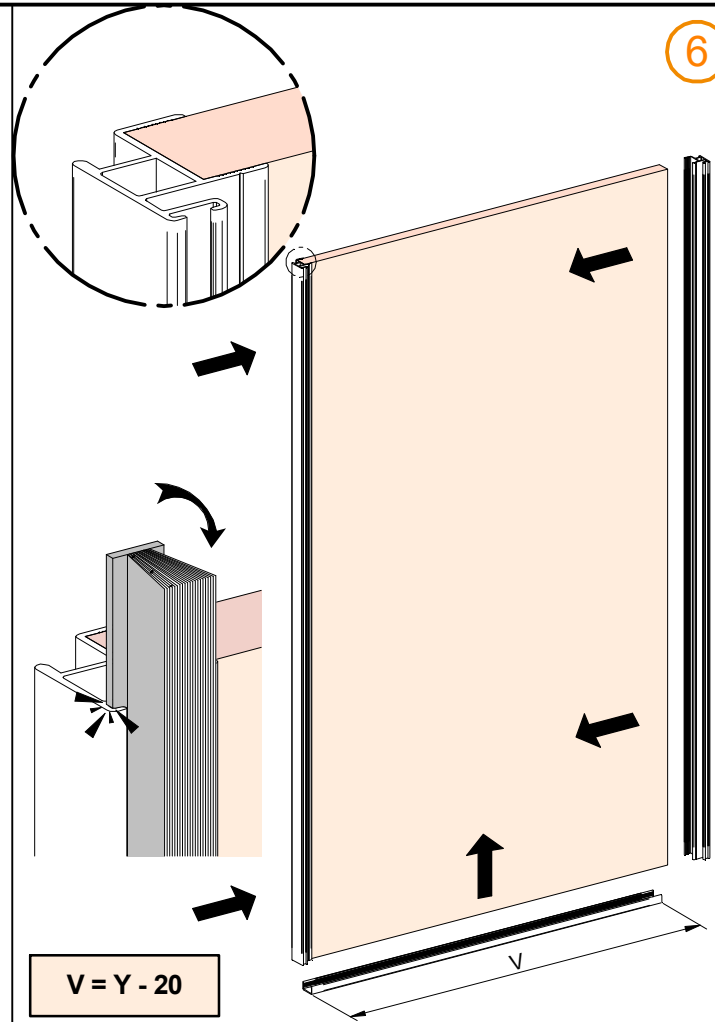
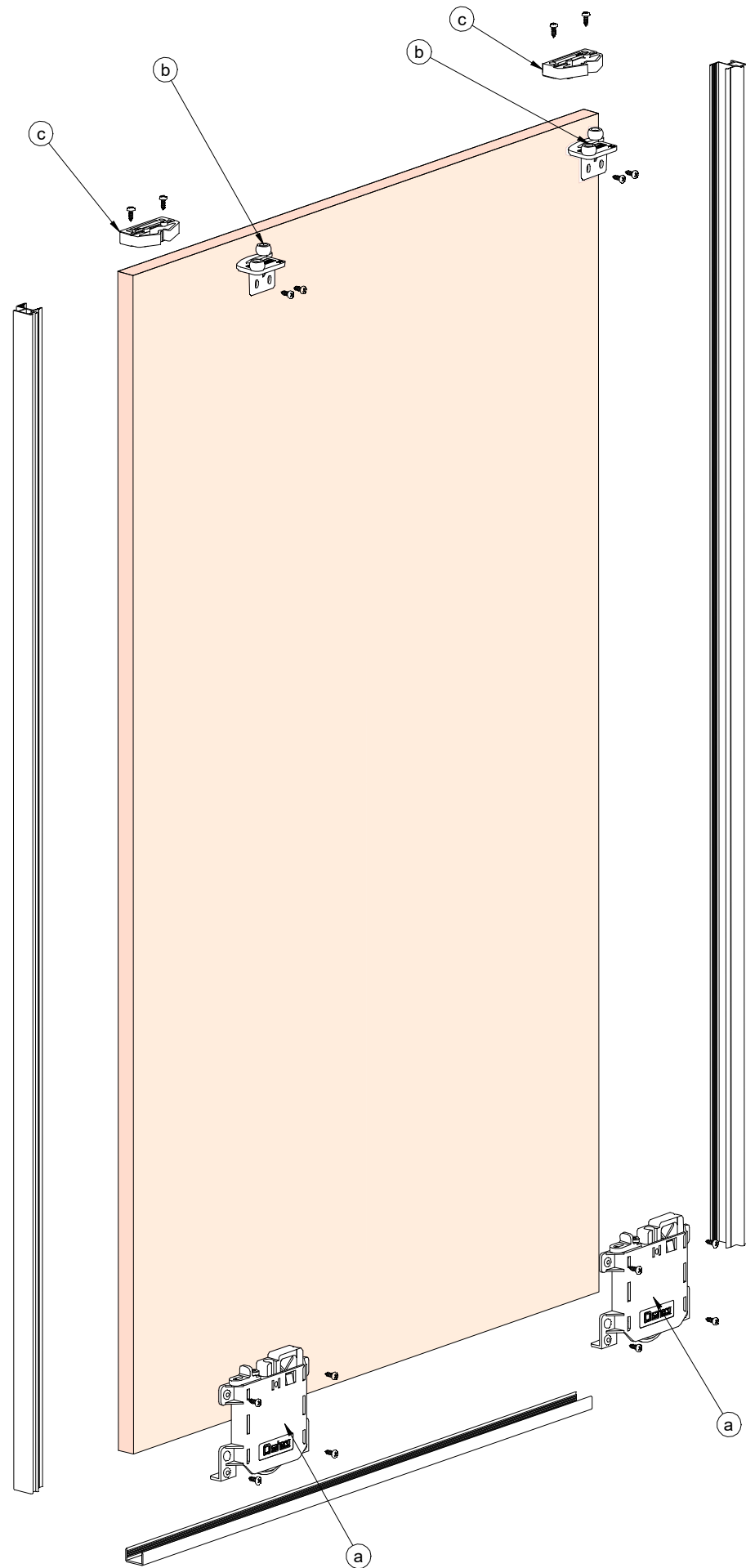
PERFIL SUPERIOR / Top track



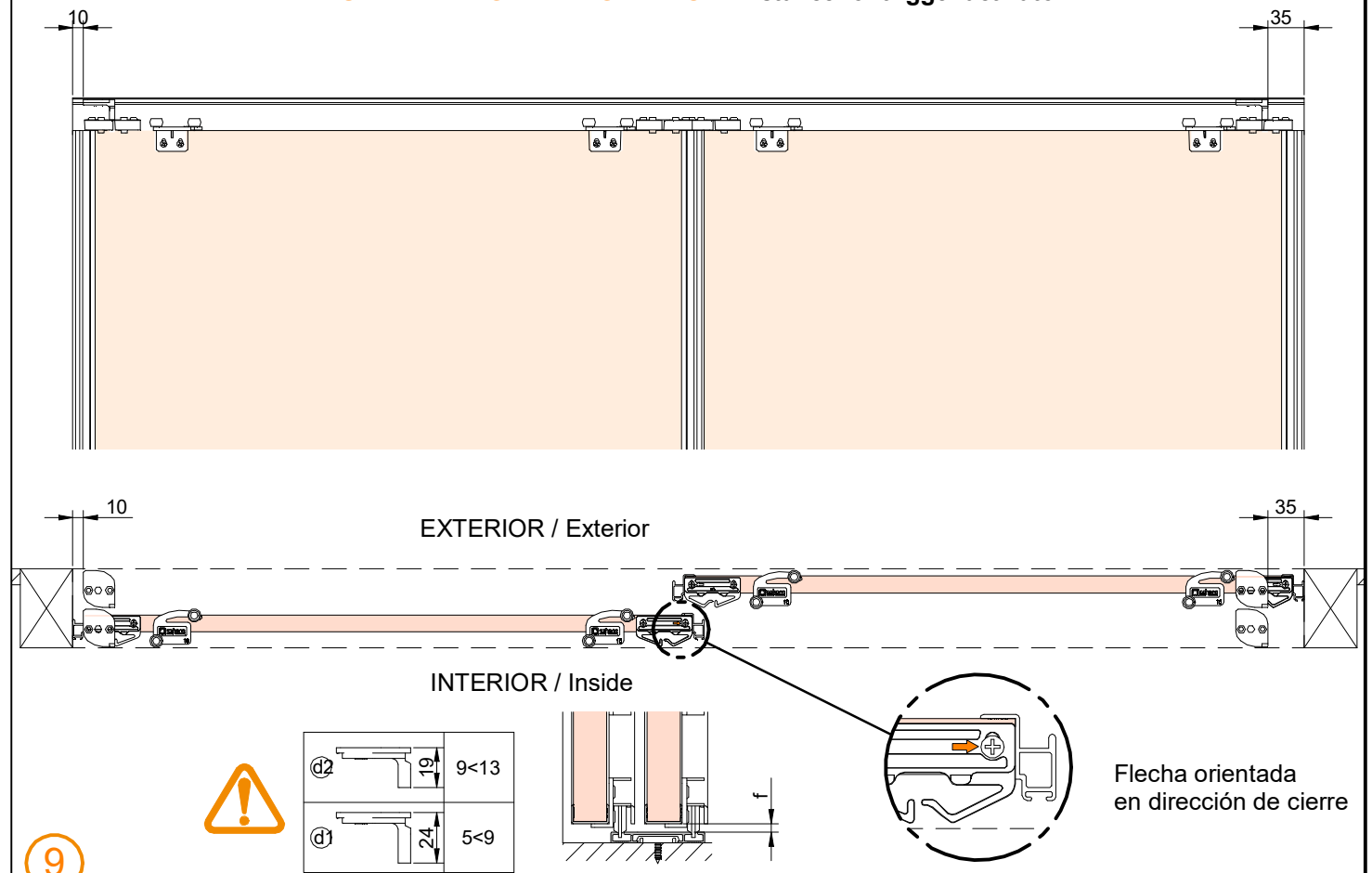
PERFIL INFERIOR / Bottom track



COMPONENTES PUERTA / Door components



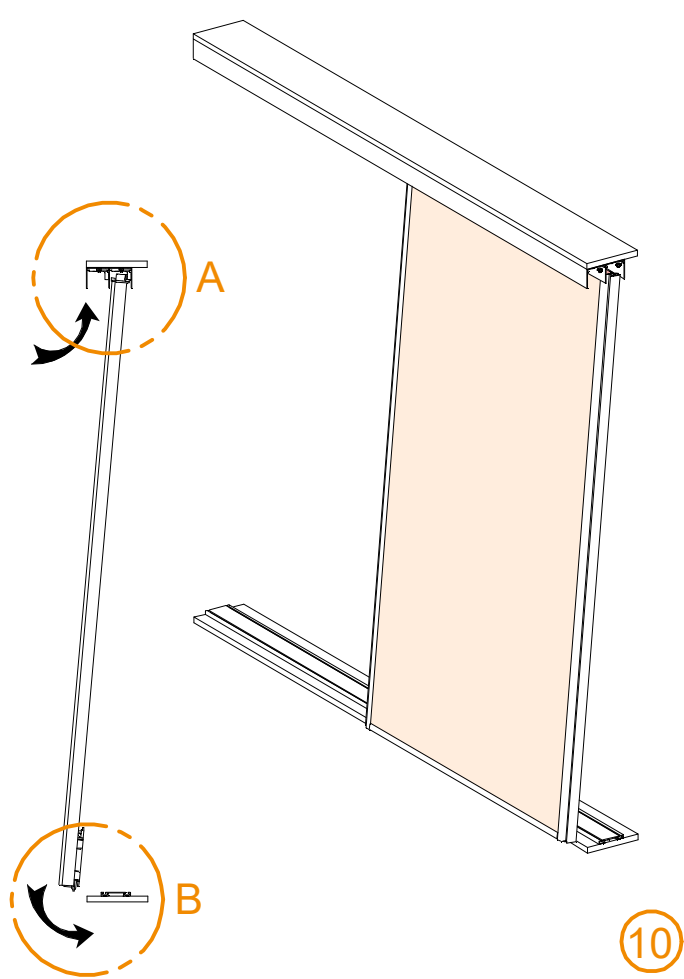
DISTANCIA ENGANCHE GATILLO / Distance for trigger activator



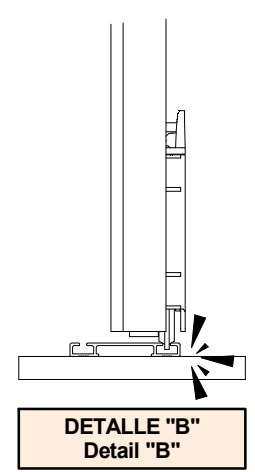
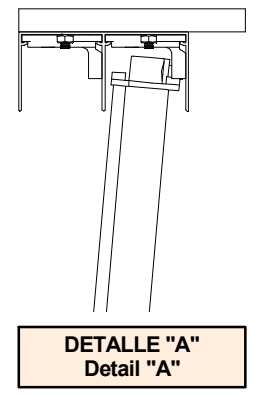
5

9

COLOCACIÓN PUERTAS / Door installation

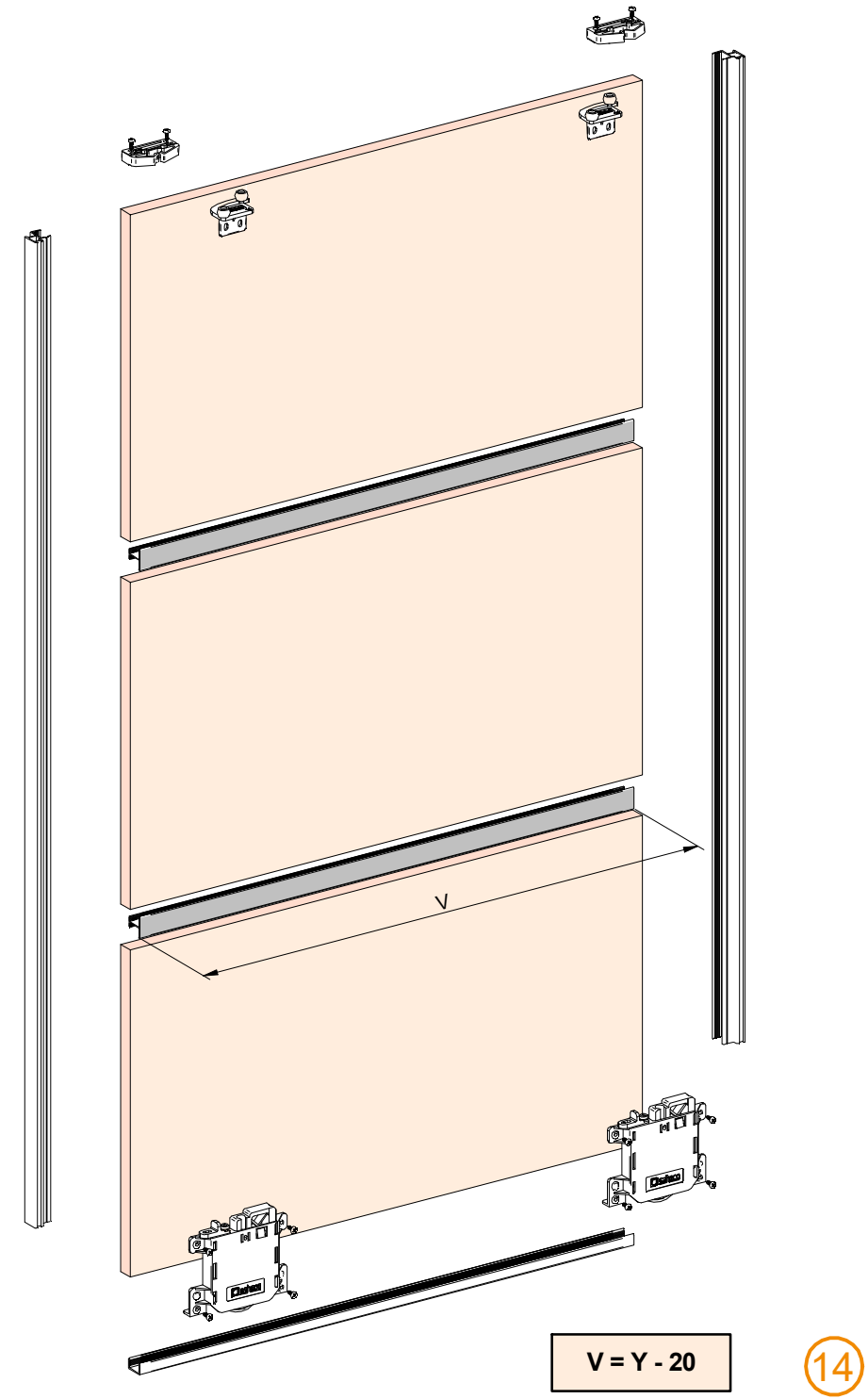


10



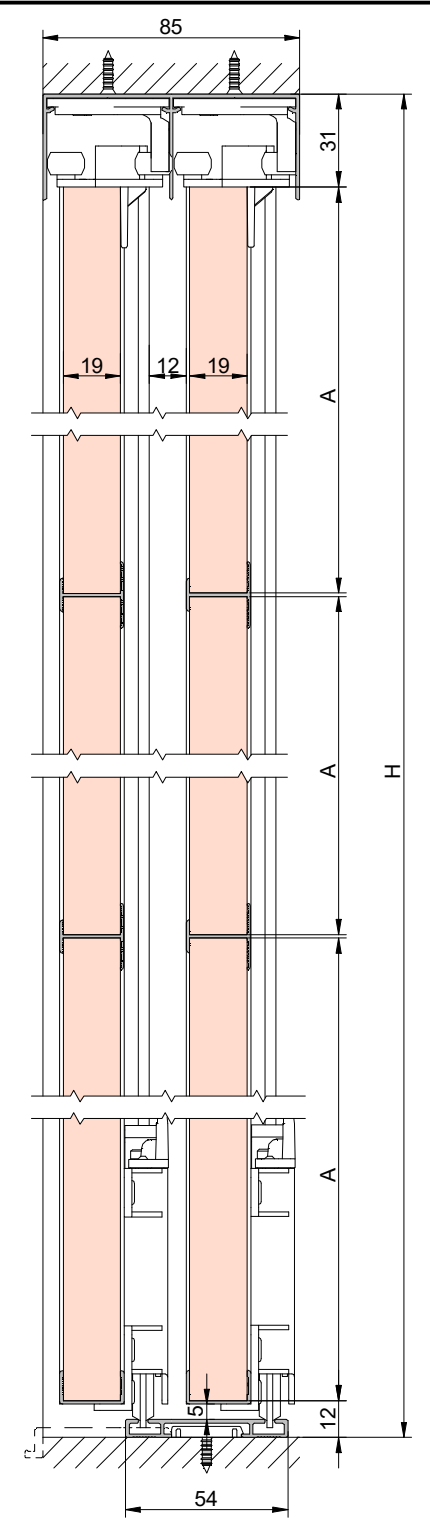
11

DIVISIONES INTERNAS / Internal divisions

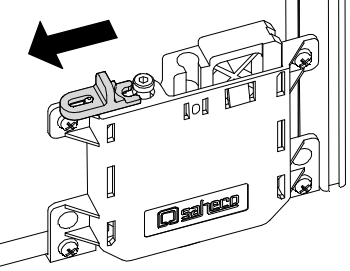


$V = Y - 20$

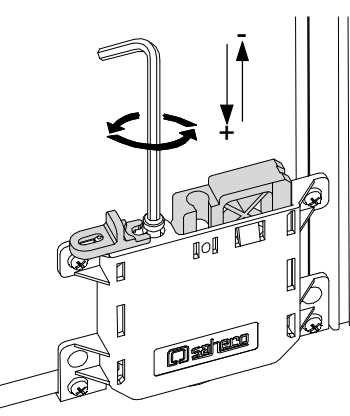
14



REGULACIÓN / Adjustment



1 DESBLOQUEAR ANTIDESCARRILAMIENTO / Unlock anti-jump



2 REGULAR (NO VOLVER A BLOQUEAR) / Adjust (don't lock again)

12

13

Nº DIVISIONES / divisions	TIRADOR MINIMALISTA / Vertical profile minimalist	TIRADOR ESTANDAR / Vertical profile standard
3	$A = \frac{H - 45}{3}$	$A = \frac{H - 46}{3}$
4	$A = \frac{H - 47}{4}$	$A = \frac{H - 47}{4}$
5	$A = \frac{H - 48}{5}$	$A = \frac{H - 49}{5}$
6	$A = \frac{H - 49}{6}$	$A = \frac{H - 50}{6}$