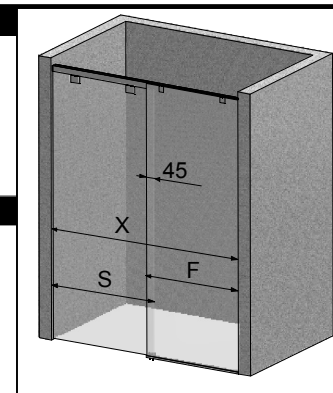
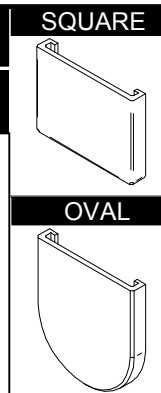
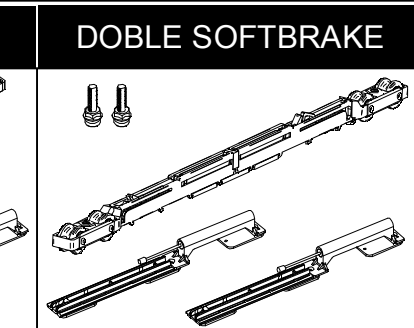
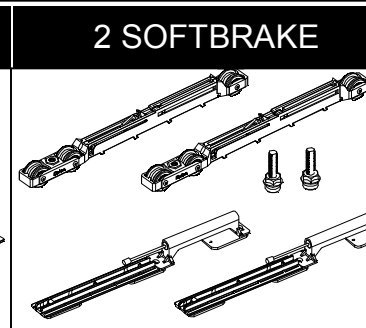
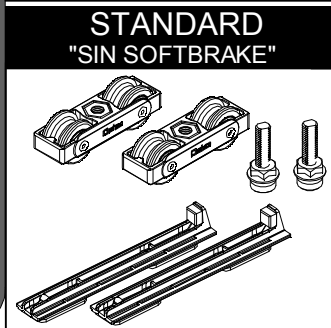


HYDRO GLASS OVAL / SQUARE



Vidrio fijo mas ancho
Wider fixed glass
Plus large verre fixed

$F > S$

$F = X - S + 45$

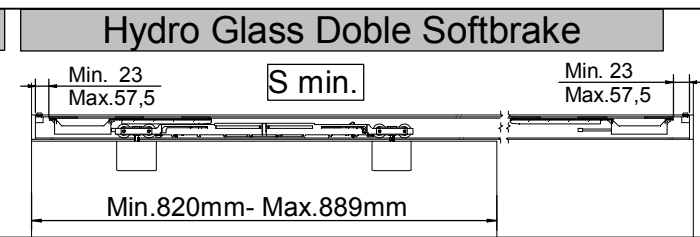
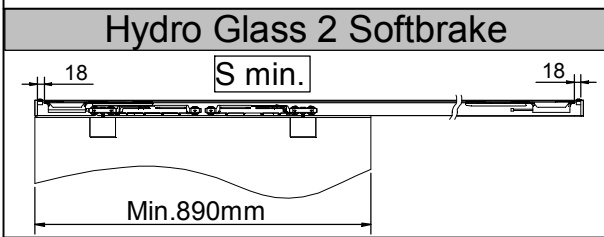
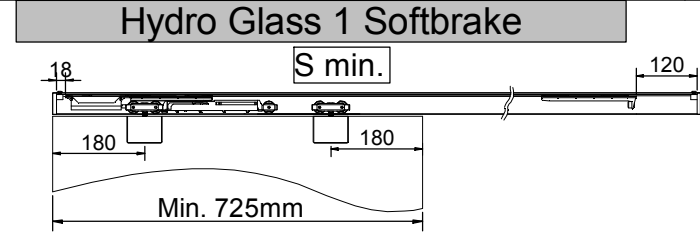
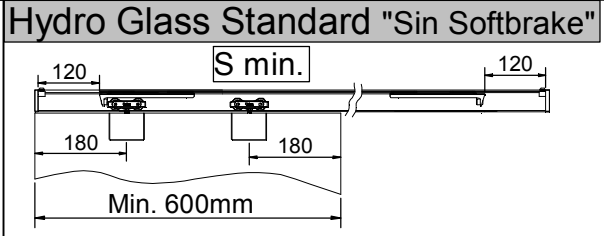
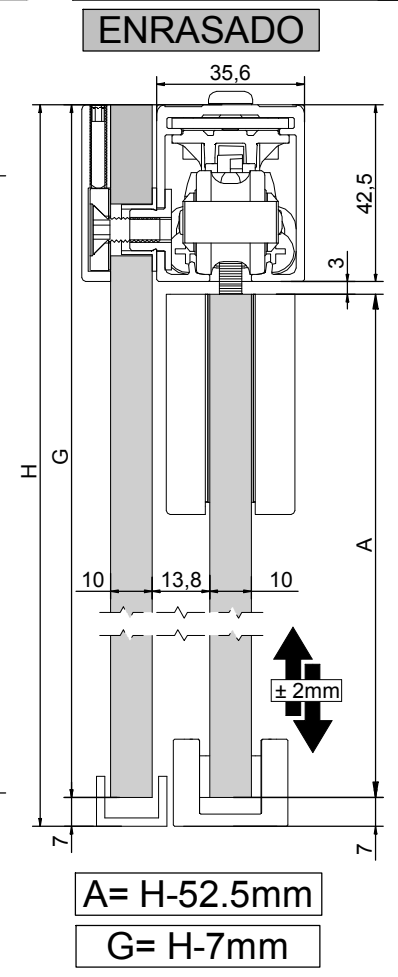
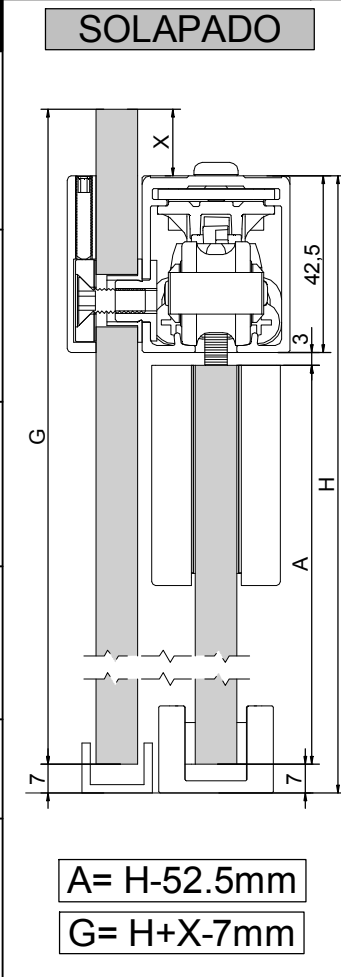
Vidrios iguales
Equal glasses
Verres égales

$F = S$

$S = \frac{X + 45 \text{mm}}{2}$

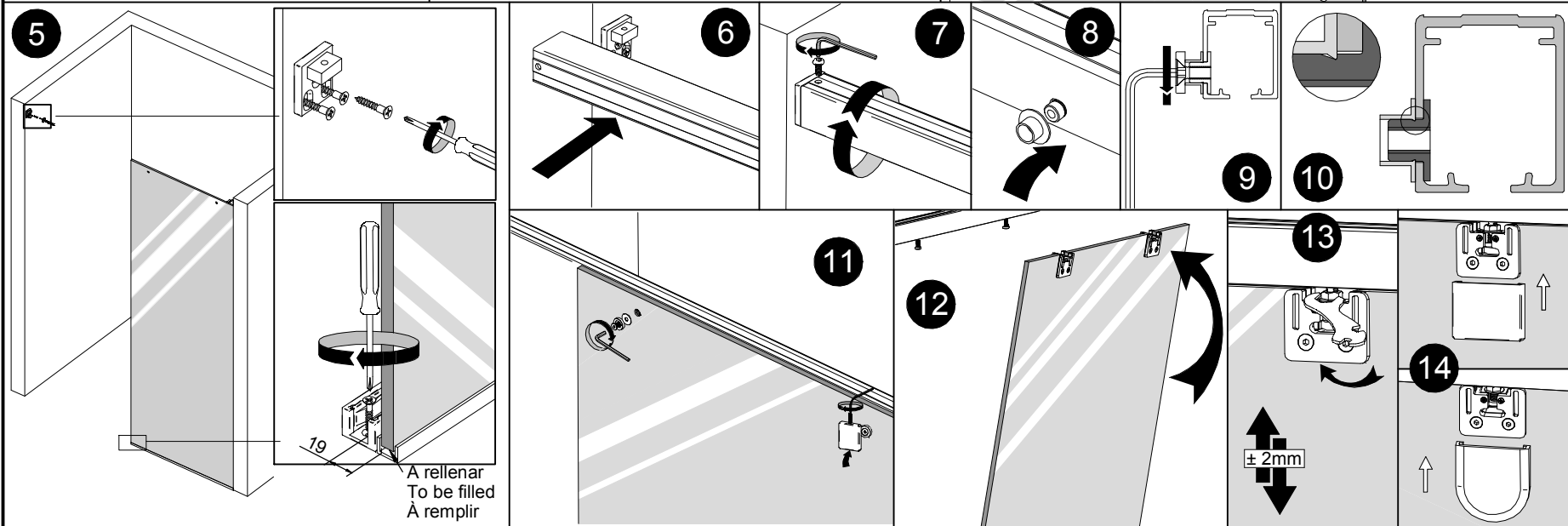
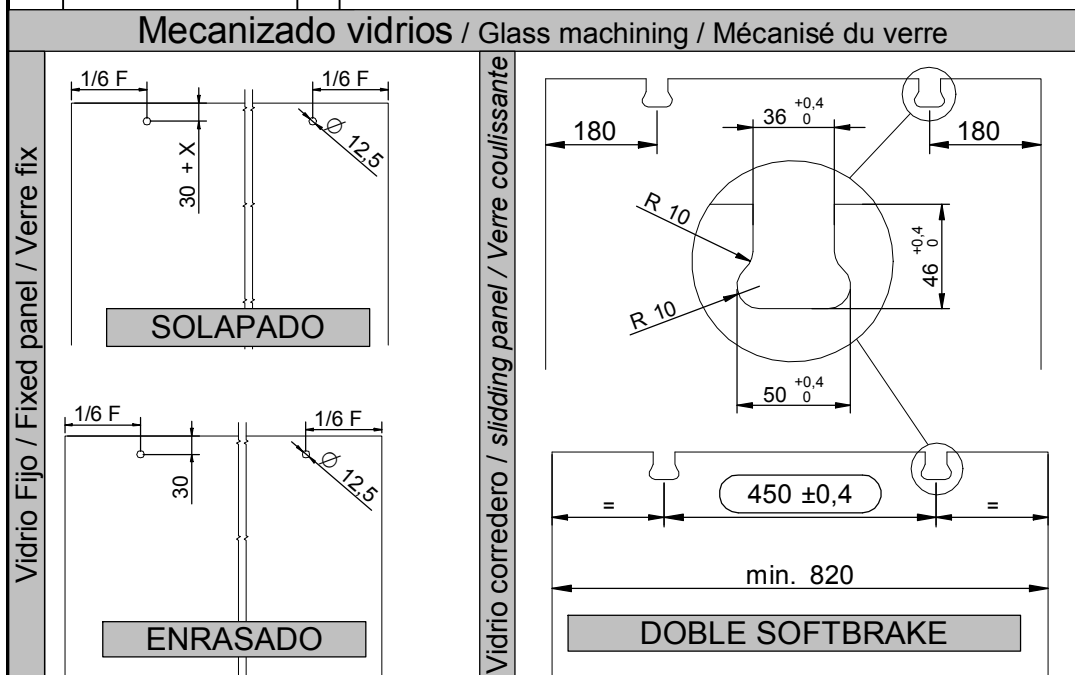
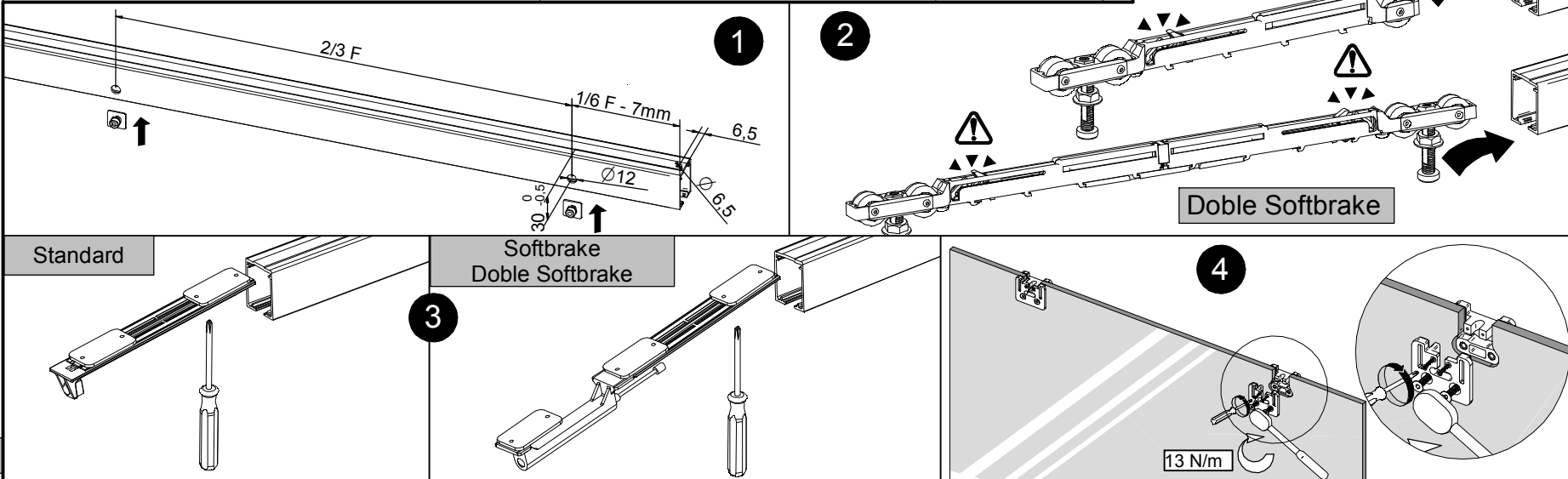
Componentes

| | | |
|---|-------|---|
| Z | 8 mm | 2 |
| Y | 10 mm | 2 |
| X | 12 mm | 2 |
| V | | 1 |
| M | | 2 |
| B | | 2 |



X= Paso de luz / Opening width / Largeur d'ouverture

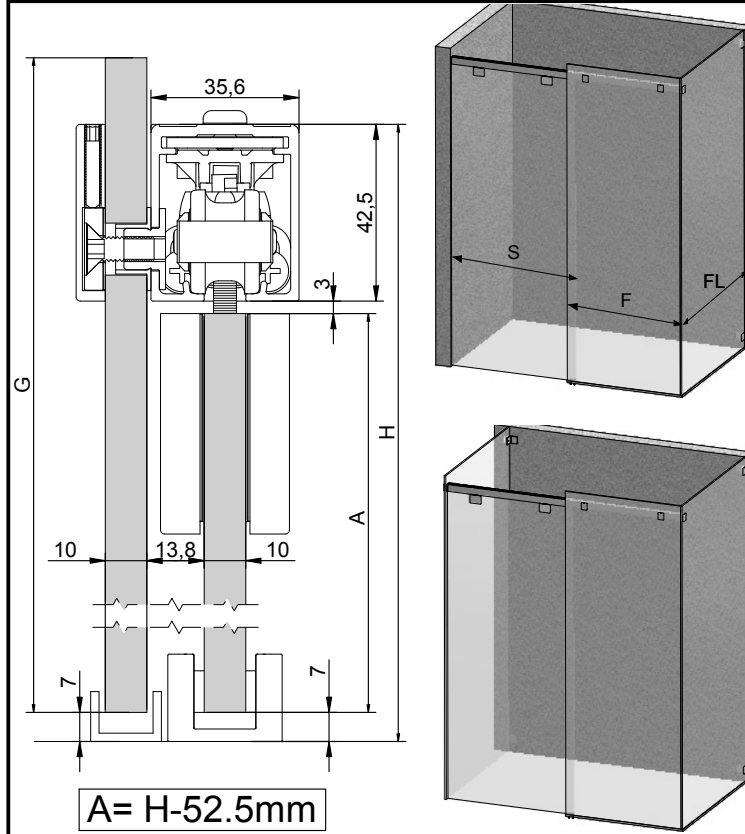
X min. Standard = 1155mm
 X min. 1 Softbrake = 1405mm
 X min. 2 Softbrake = 1750mm
 X min. Doble Softbrake = 1595mm
 X max. Doble Softbrake = 1750mm



HYDRO GLASS KIT 90°

ESCUADRA A PARED - PERFIL A PARED

Mecanizado vidrios / Glass machining / Mécanisé du verre



Ref: 979-20_21_71_72_73

| | | | |
|---|---|---|---|
| Z | Y | X | V |
| | | | |
| 2 | 1 | 5 | 3 |

Ref: 979-25-26-74-75-76

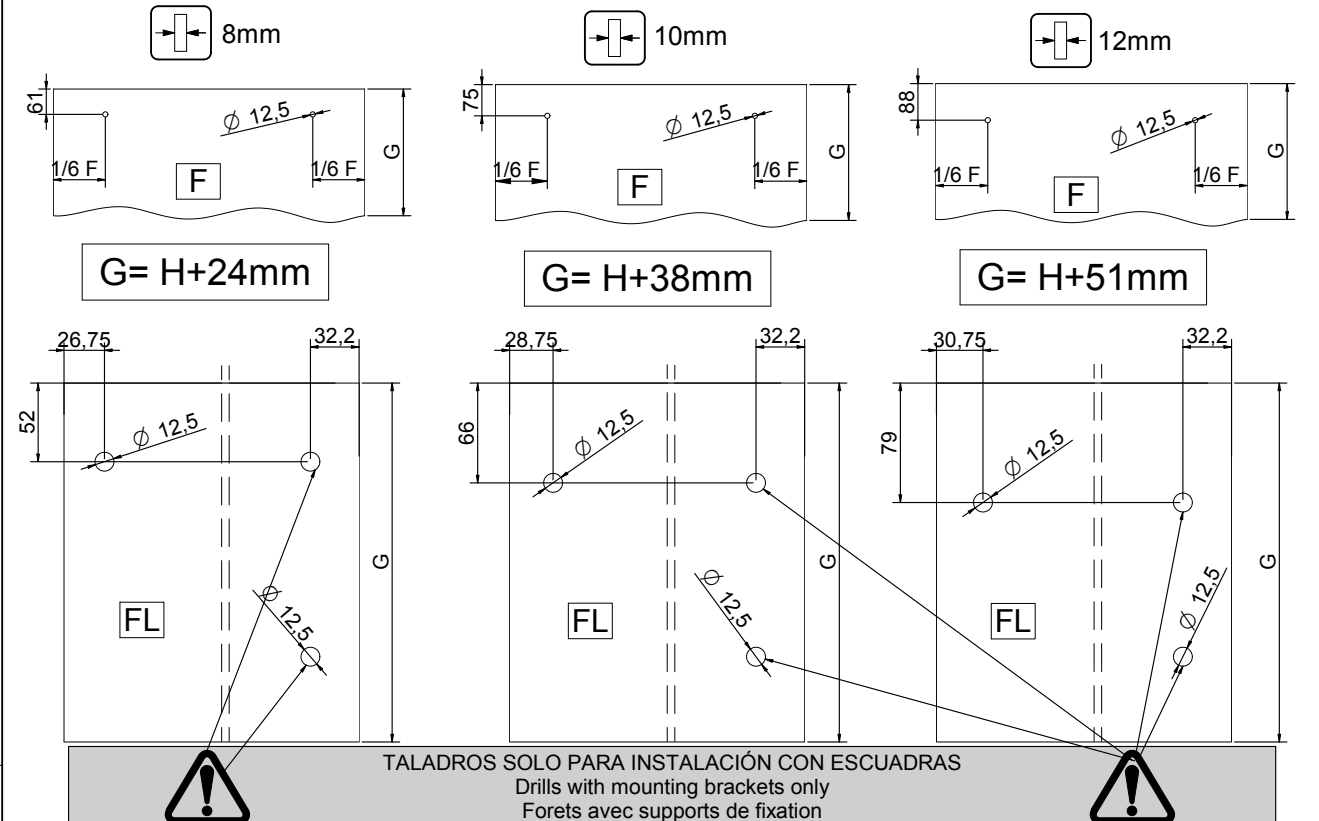
| | | |
|---|---|---|
| Y | X | V |
| | | |
| 1 | 1 | 1 |

(2x) Ref: 979-20_21_71_72_73

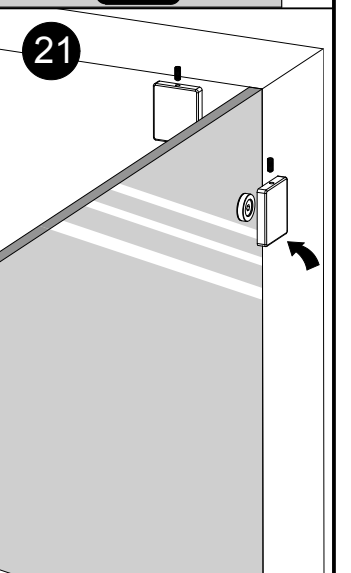
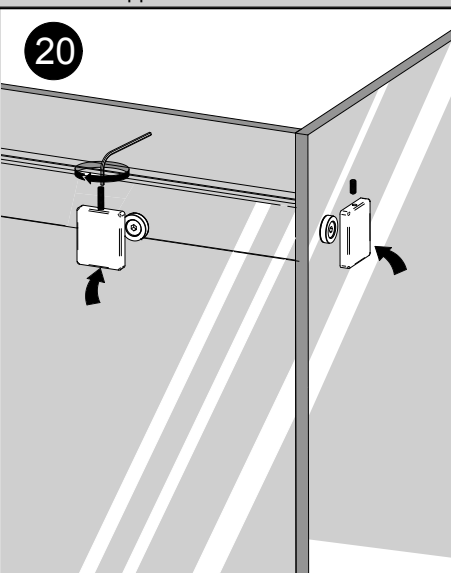
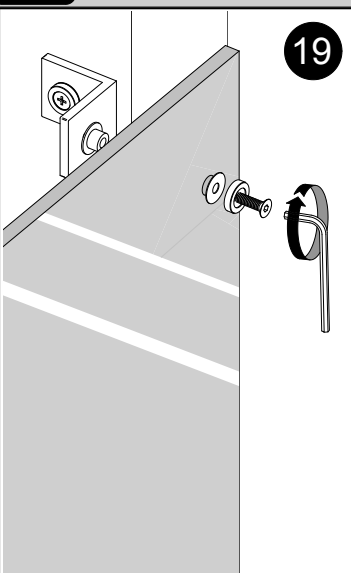
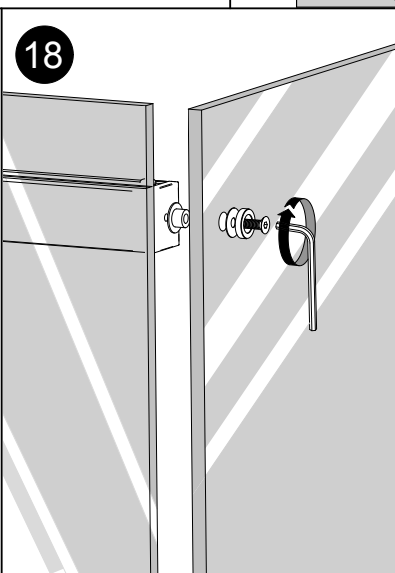
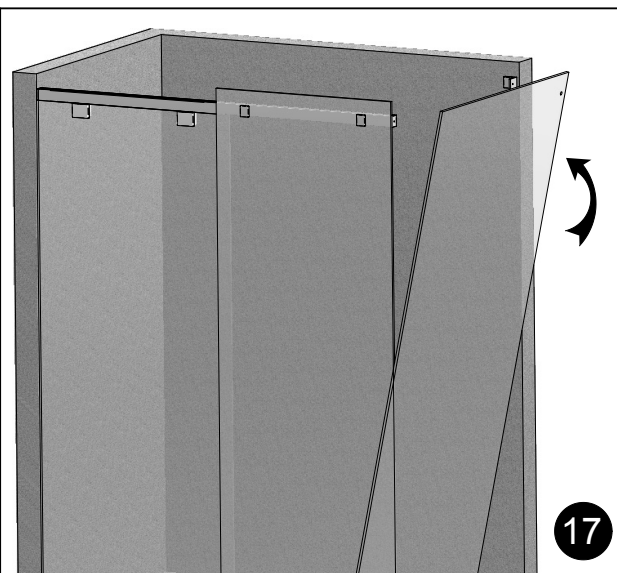
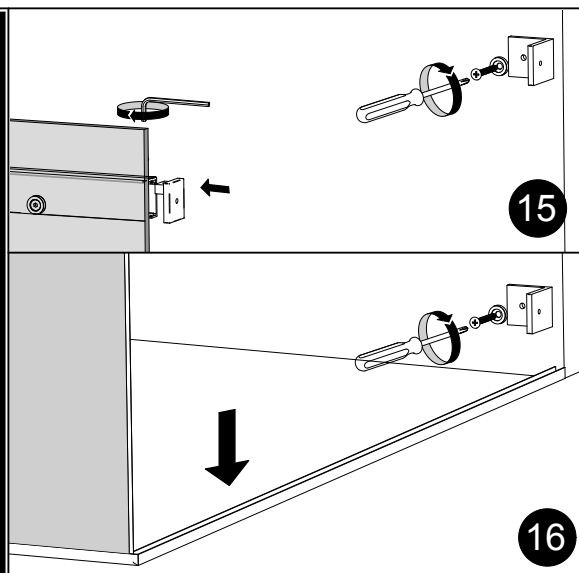
| | | | |
|---|---|----|---|
| Z | Y | X | V |
| | | | |
| 4 | 2 | 10 | 6 |

(2x) Ref: 979-25-26-74-75-76

| | | |
|---|---|---|
| Y | X | V |
| | | |
| 1 | 1 | 1 |



INSTALACION CON ESCUADRAS ing with brackets Installation avec supports



INSTALACION CON PERFIL Mounting with profile Installation avec profil

