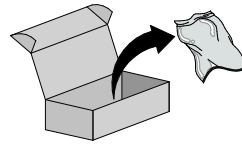




GUBLI SFERA VIDRIO-VIDRIO

JULY - 2018



REF. 095003

Poligono Industrial Foradada - 08580 - Sant Quirze de Besora (Barcelona)
Telf. 34-93.852.92.23, Fax.34-93.852.91.59
Export. Telf. 34-93.852.96.15, Fax.34-93.852.91.76
e-mail: saheco@saheco.com - web: www.saheco.com

MADE IN E.U.

**GRUPO
TORREMAT**

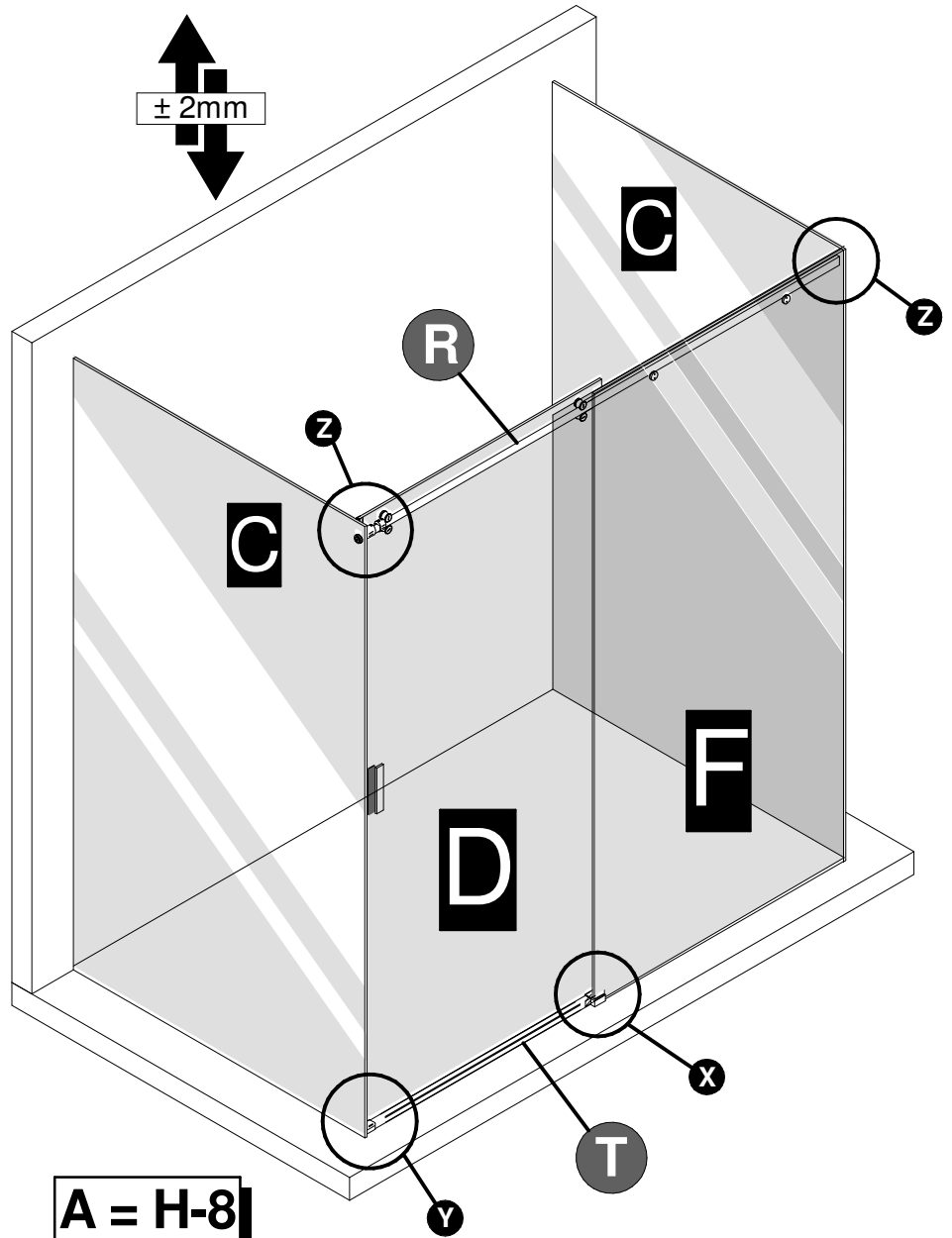
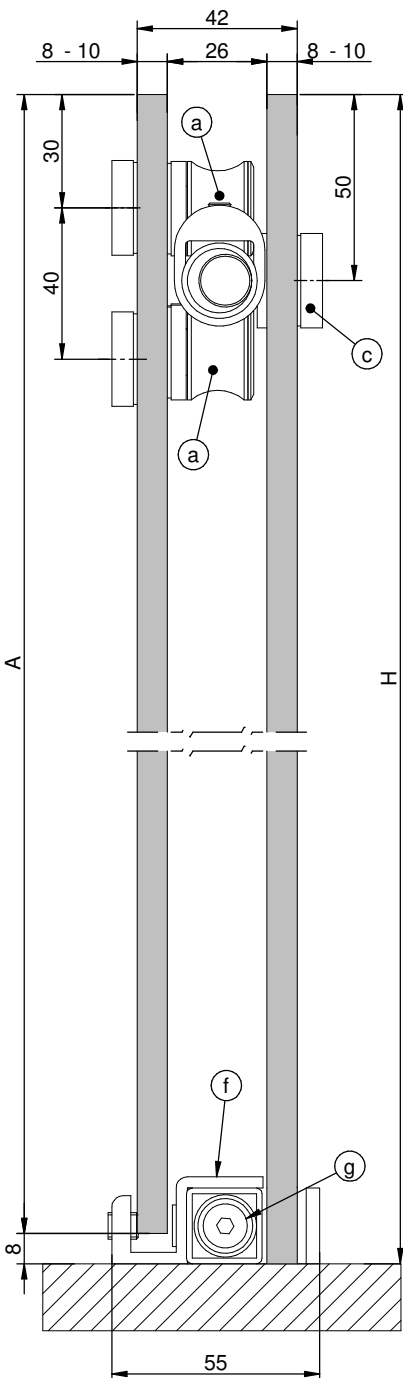


038060327

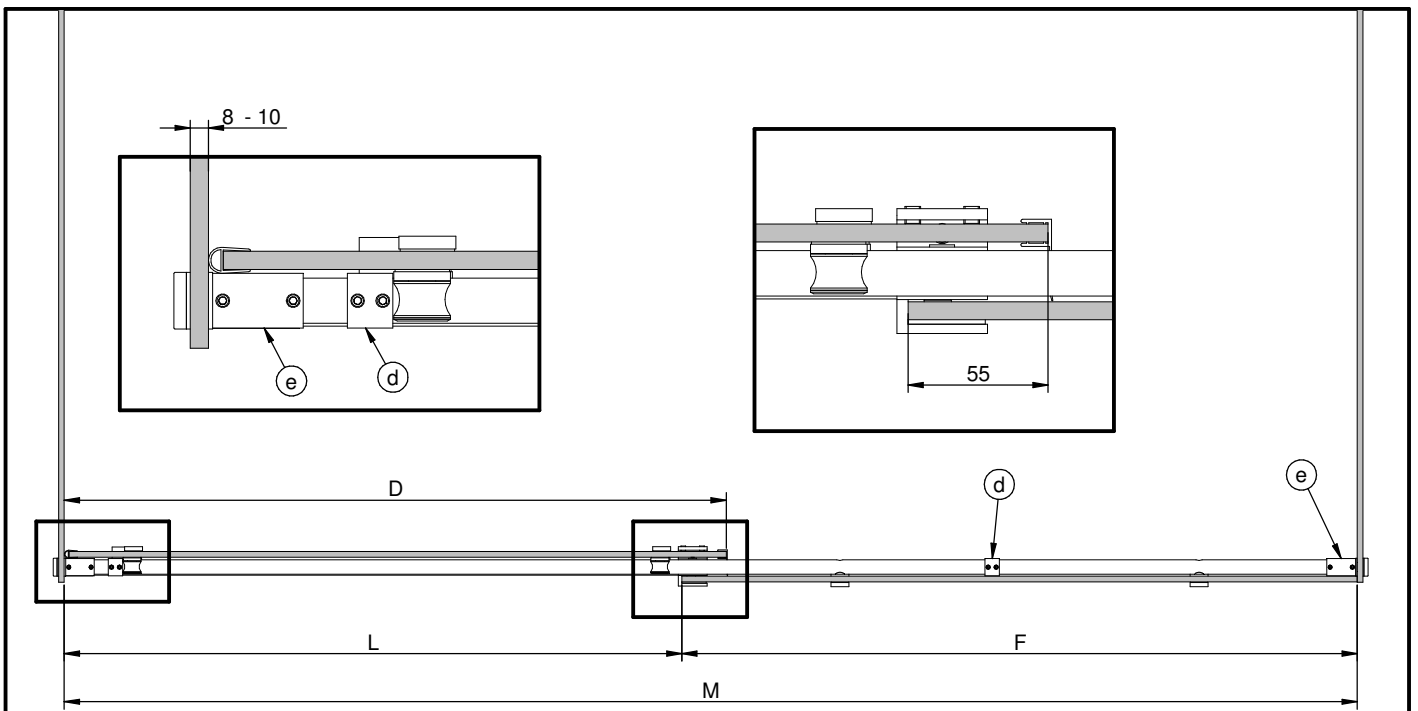
R		1	S		1
T		1	U		1

a		4
c		2
d		2

e		2
f		1
g		1
h		1



A = H - 8

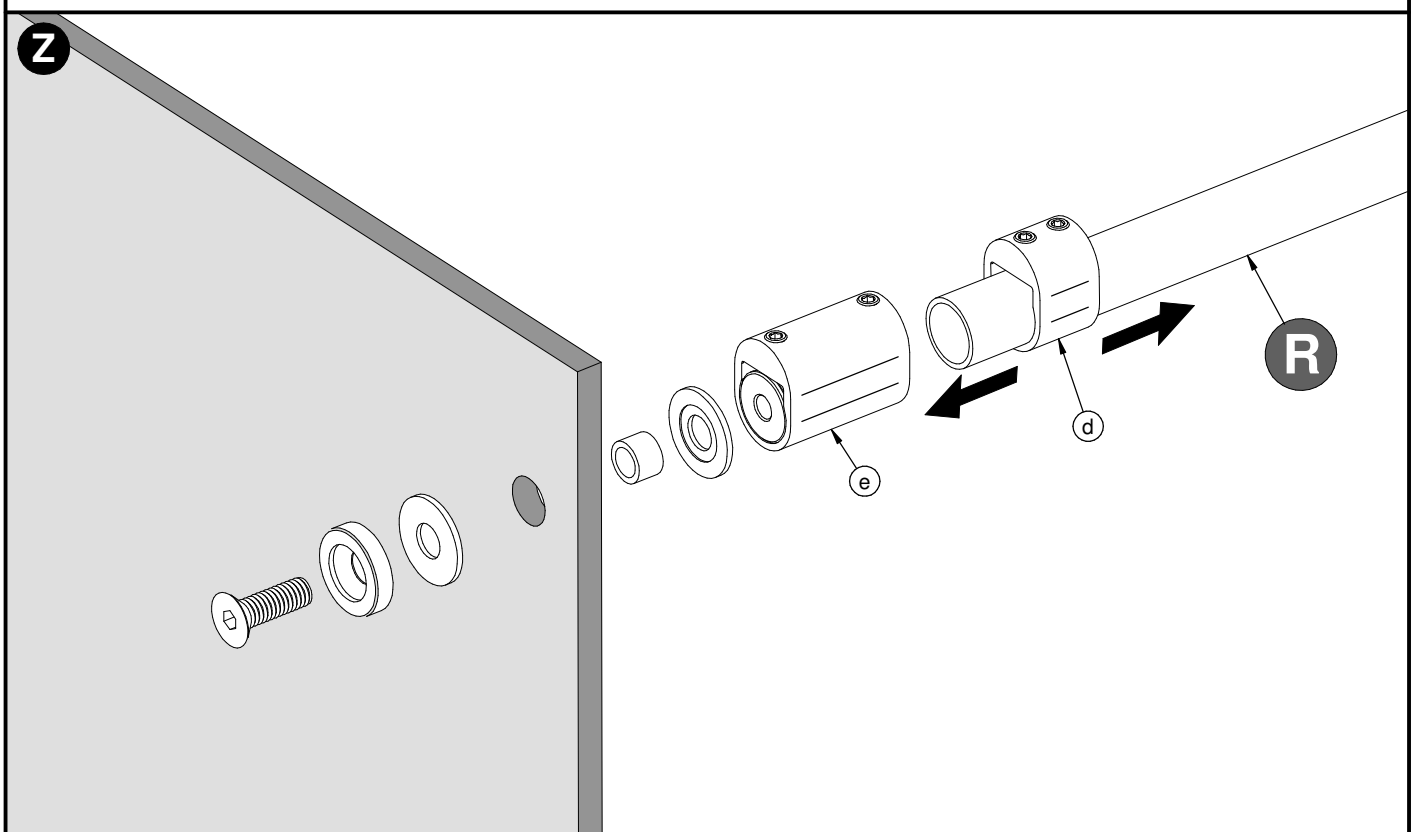
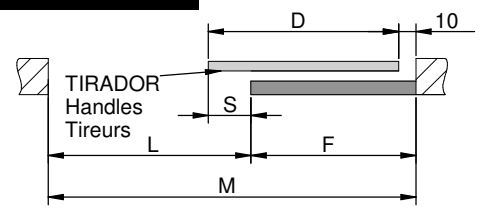
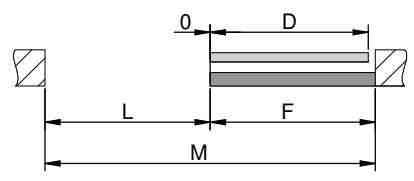


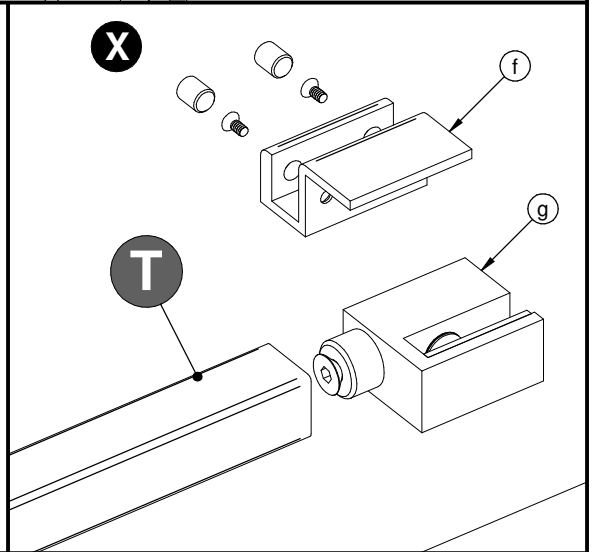
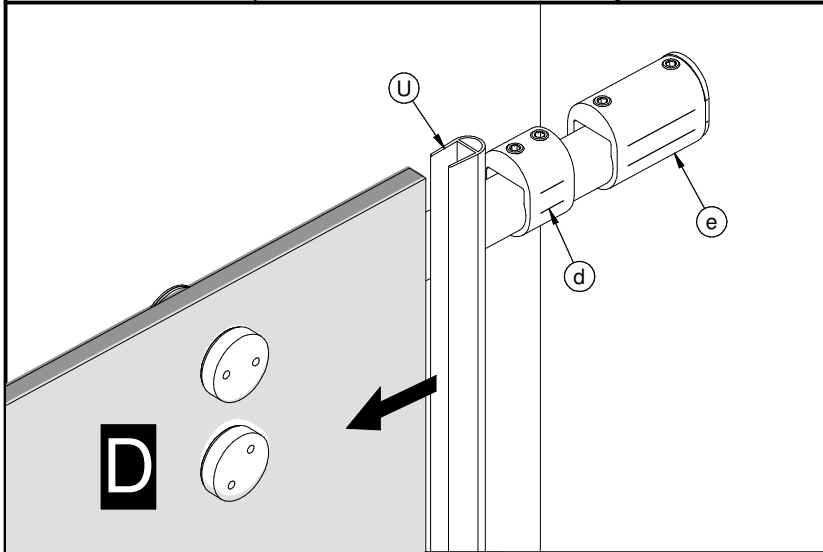
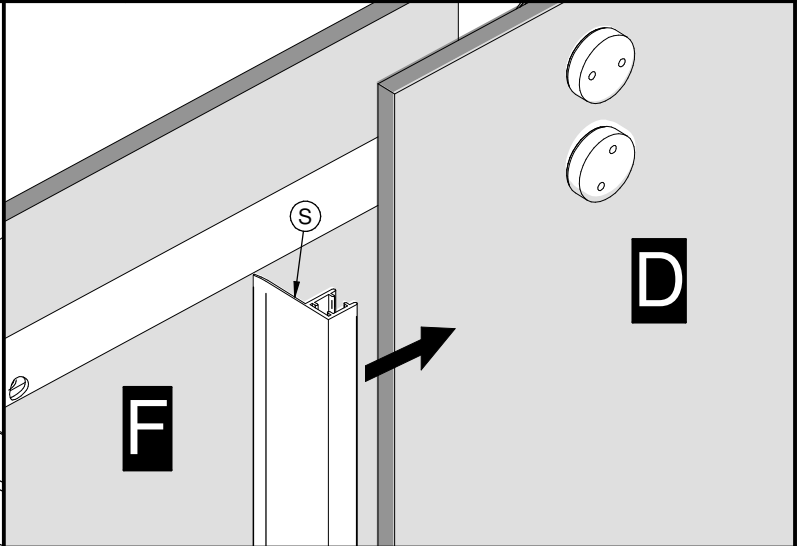
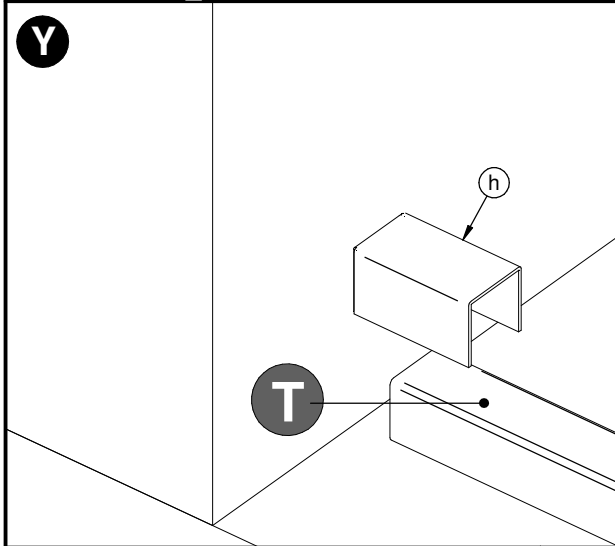
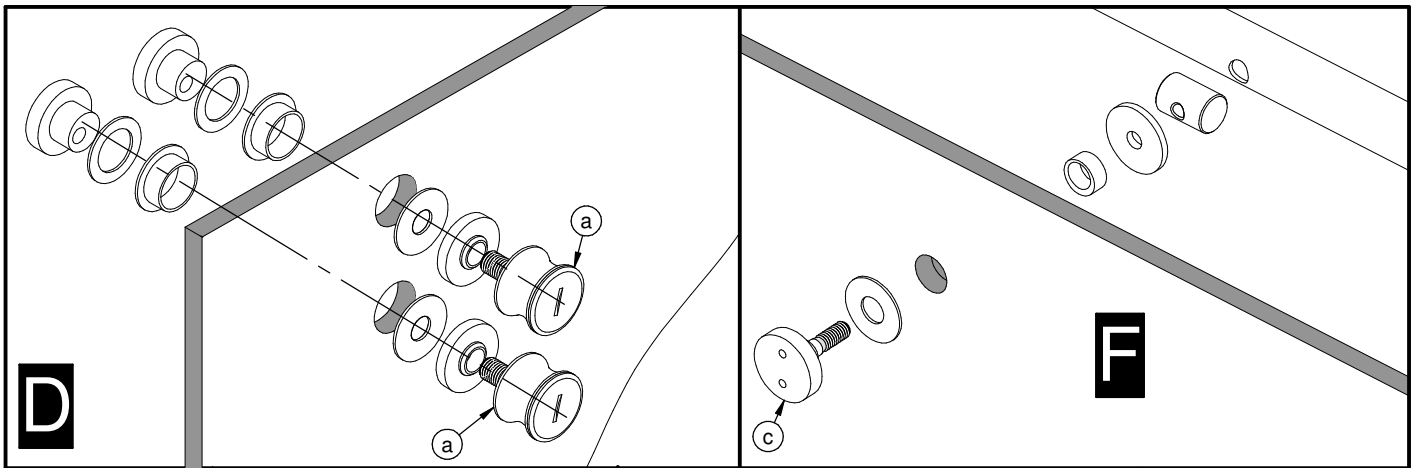
INSTALACION ENRASADA
 Levelled assembly
 Moutage arasé

M = Max. 1800mm.
L = Min. 450mm
D = L + 55mm.
F = M - L mm.

INSTALACION SOLAPADA
 Overlap assembly
 Moutage Sournois

M = Max. 1800mm
L = Min. 450mm
D = $\frac{M + S + 55mm}{2}$
F = M - L mm.

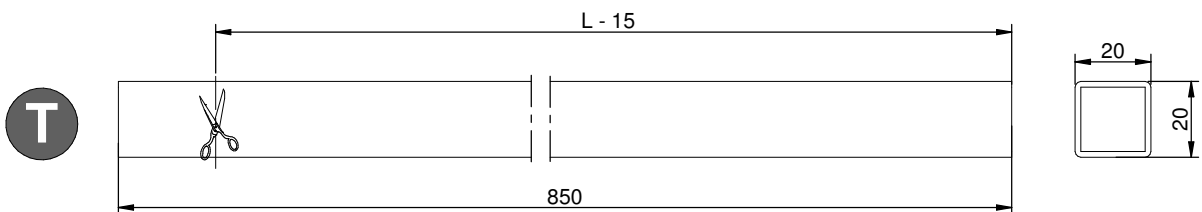


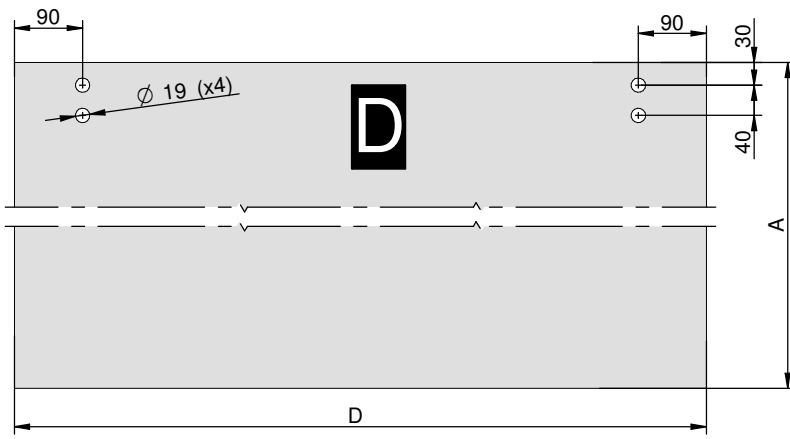


MECANIZADO PERFIL INFERIOR
 Lower Profile preparation
 Profil bas usinage

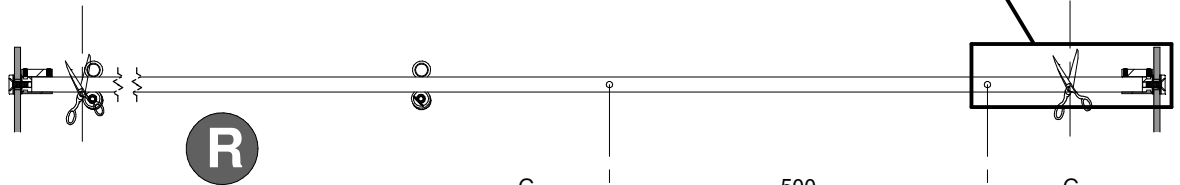
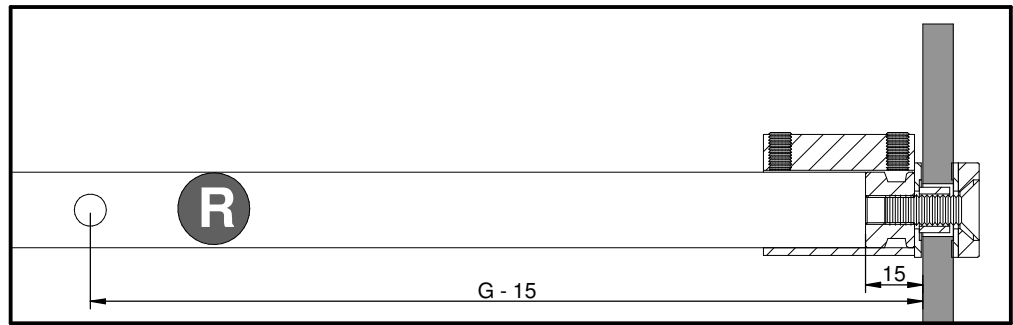


CORTAR POR UN LADO PARA AJUSTAR
 cut on one side to adjust
 coupé sur un côté pour ajuster

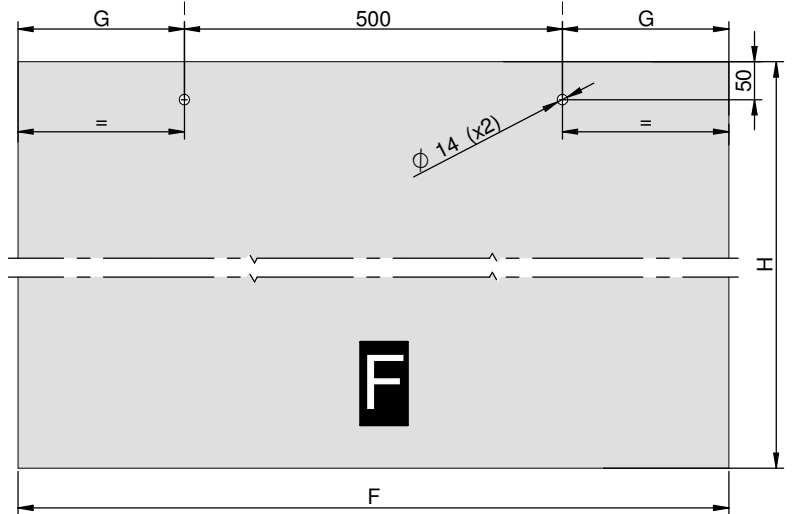




PUERTA CORREDERA
SLIDING DOOR
PORTE COULISSANTE



CORTAR POR DOS LADOS PARA AJUSTAR
cut on two sides to adjust
couper sur les deux côtés pour ajuster



VIDRIO FIJO
FIXED GLASS
VERRE FIXE

