

# saheco GIBLI CUADRO VIDRIO-VIDRIO

Poligono Industrial Foradada - 08580 - Sant Quirze de Besora (Barcelona)  
 Telf. 34-93.852.92.23, Fax.34-93.852.91.59  
 Export. Telf. 34-93.852.96.15, Fax.34-93.852.91.76  
 e-mail: saheco@saheco.com - web: www.saheco.com

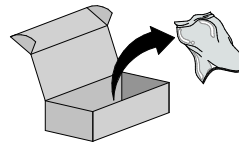
MADE IN E.U.

**GRUPO TORREMAT**



JULY - 2018

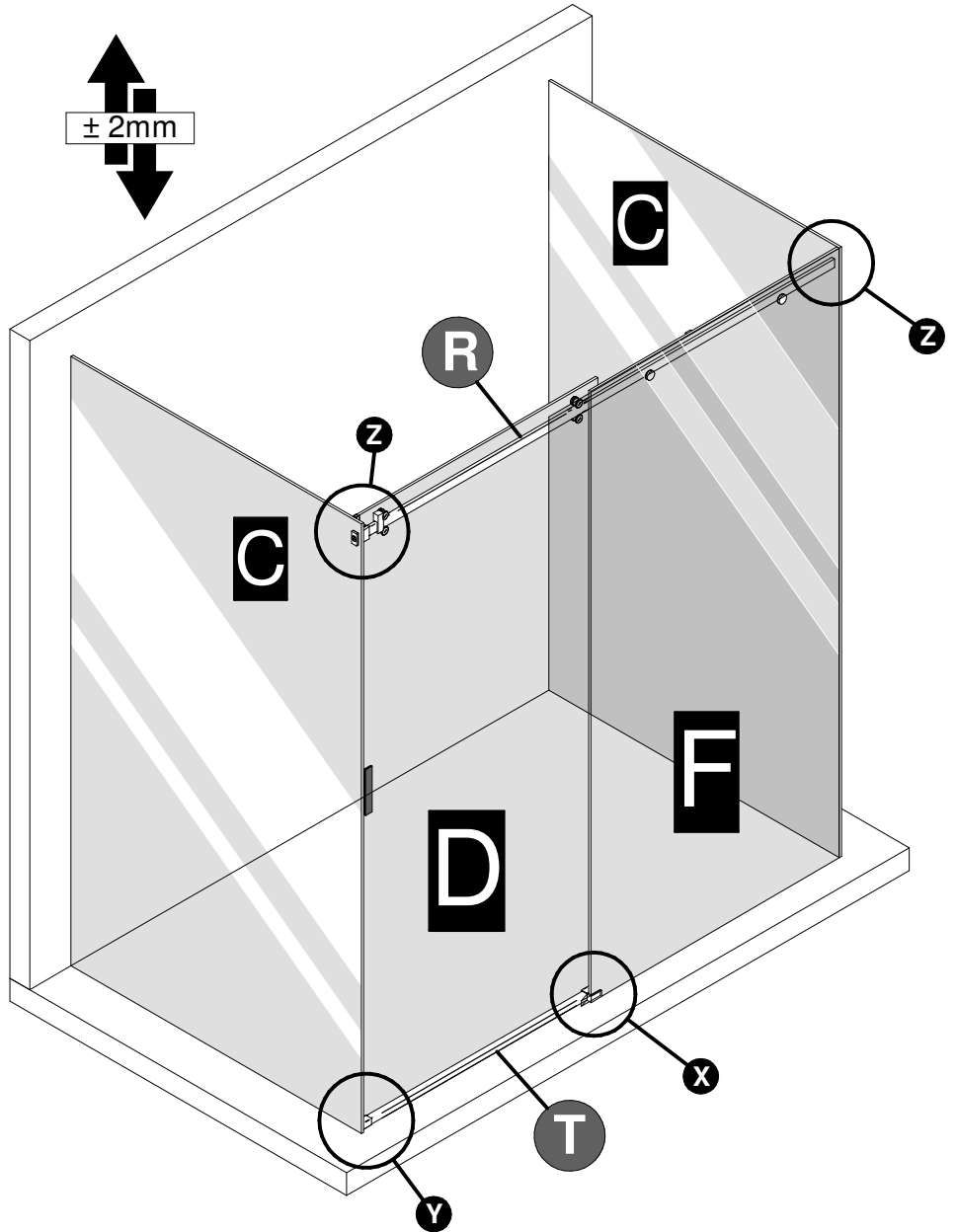
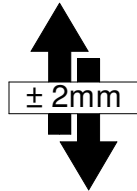
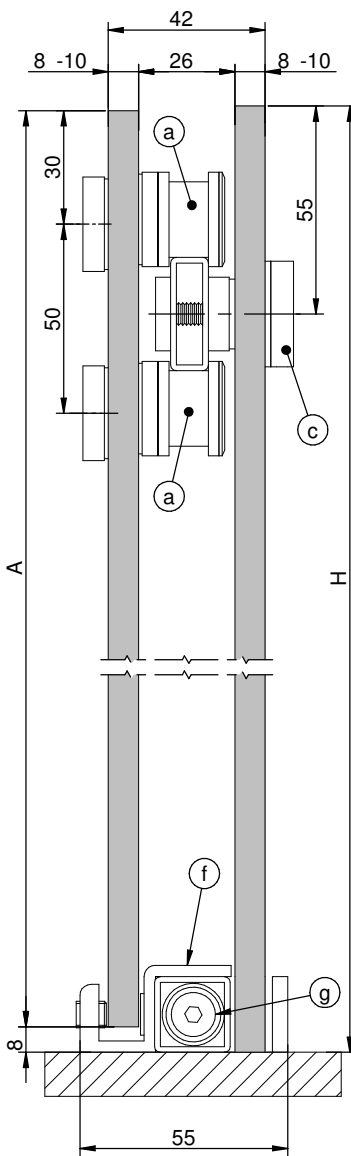
038060331



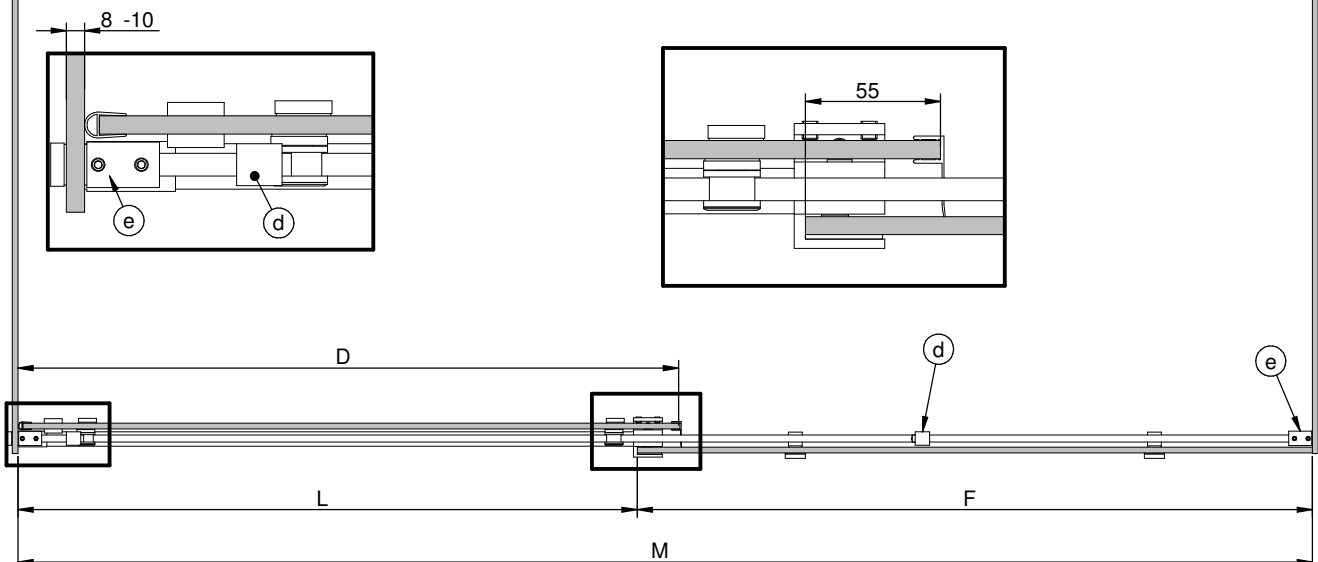
REF. 095013

R		1	S		1
T		1	U		1

e		2	f		1
a		4	g		1
c		2	d		2
h		1			

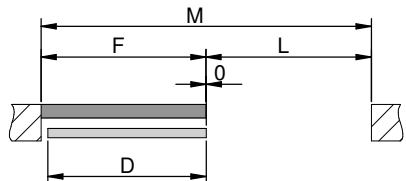


**A = H - 8**



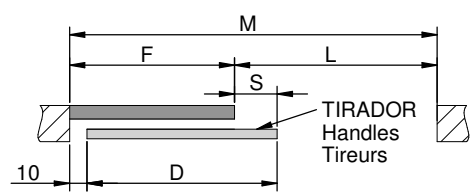
**INSTALACION ENRASADA**  
 Levelled assembly  
 Moutage arasé

**M = Max. 1800mm.**  
**L = Min. 450mm**  
**D = L + 55mm.**  
**F = M - L mm.**

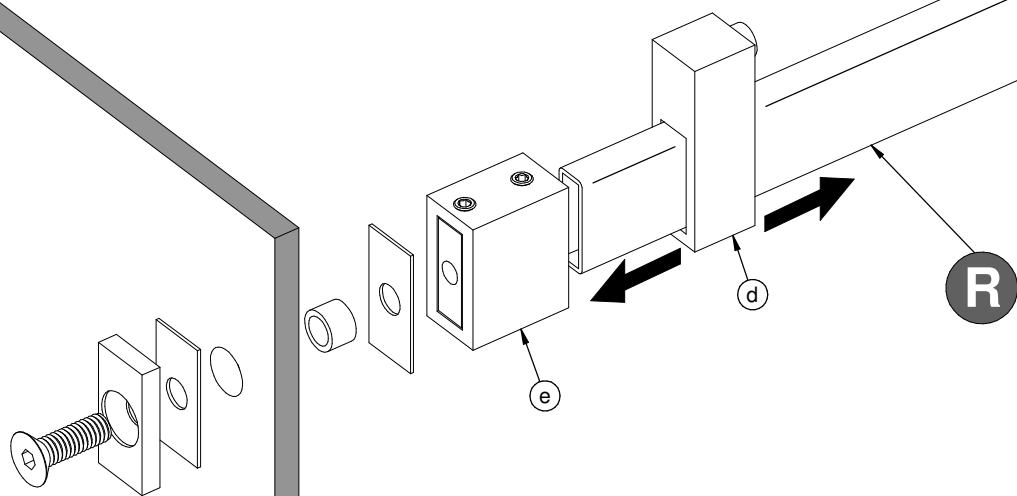


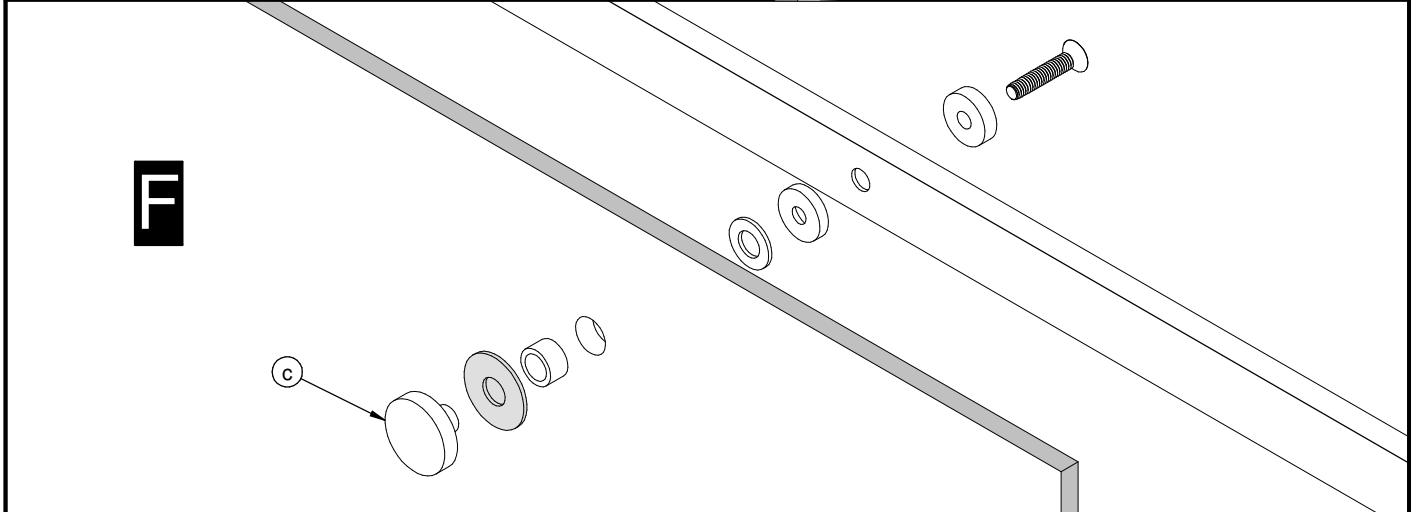
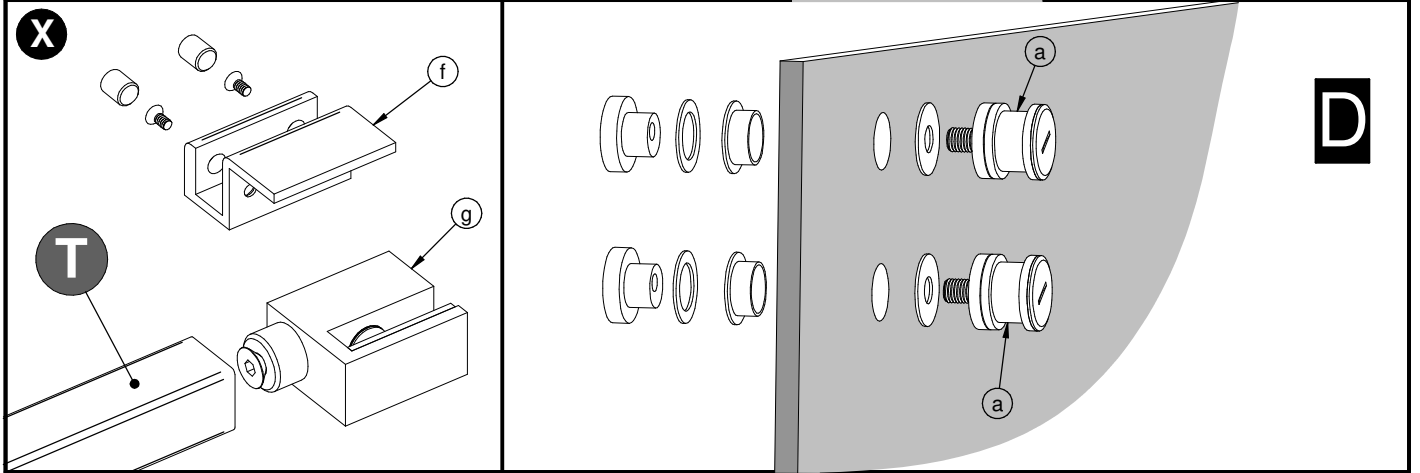
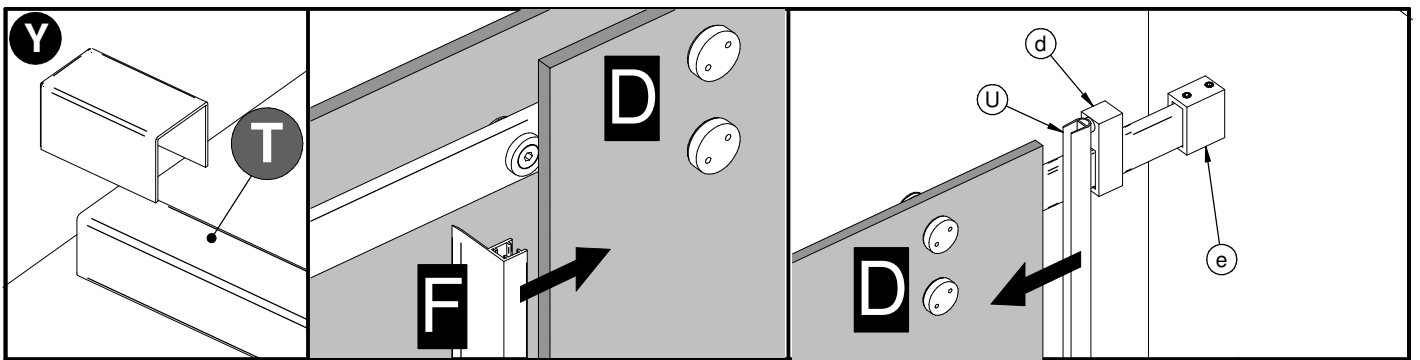
**INSTALACION SOLAPADA**  
 Overlap assembly  
 Moutage Sournois

**M = Max. 1800mm**  
**L = Min. 450mm**  
**D =  $\frac{M + S + 55mm}{2}$**   
**F = M - L mm.**



**Z**



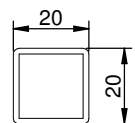
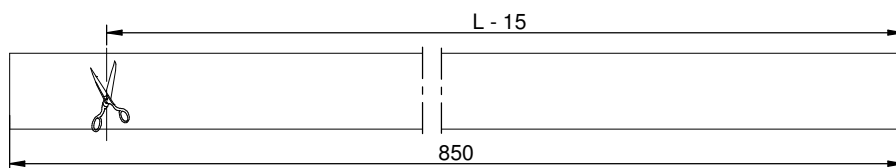


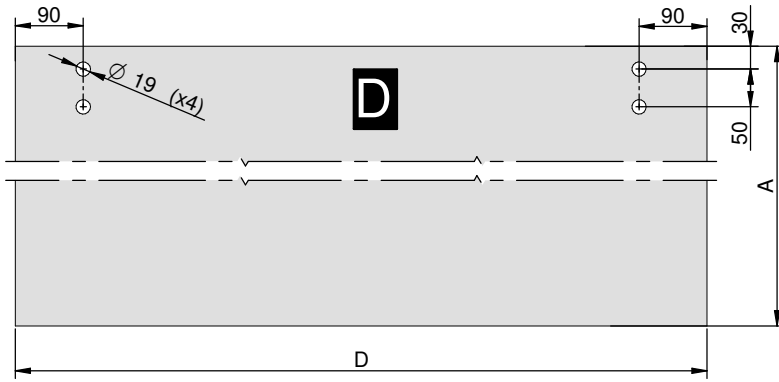
**MECANIZADO PERFIL INFERIOR**  
 Lower Profile preparation  
 Profil bas usinage



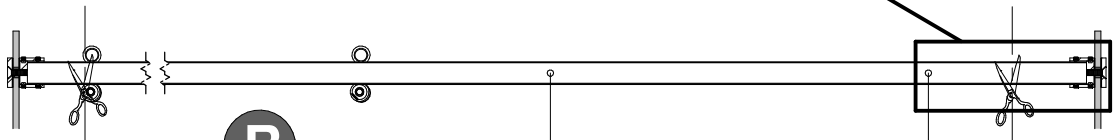
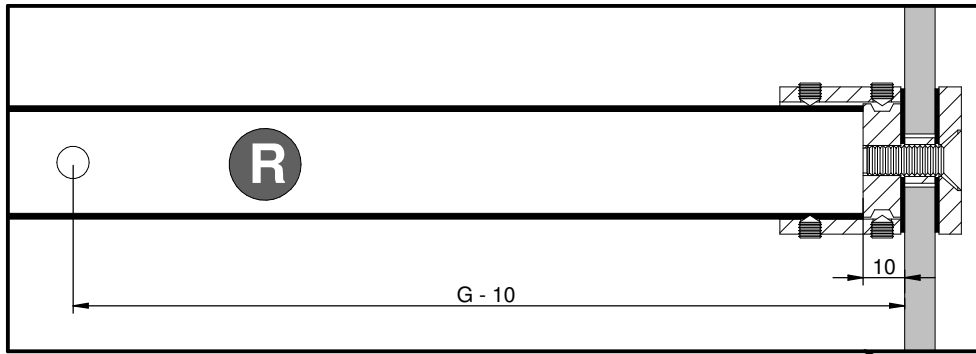
**CORTAR POR UN LADO PARA AJUSTAR**  
 cut on one side to adjust  
 coupé sur un côté pour ajuster

**T**



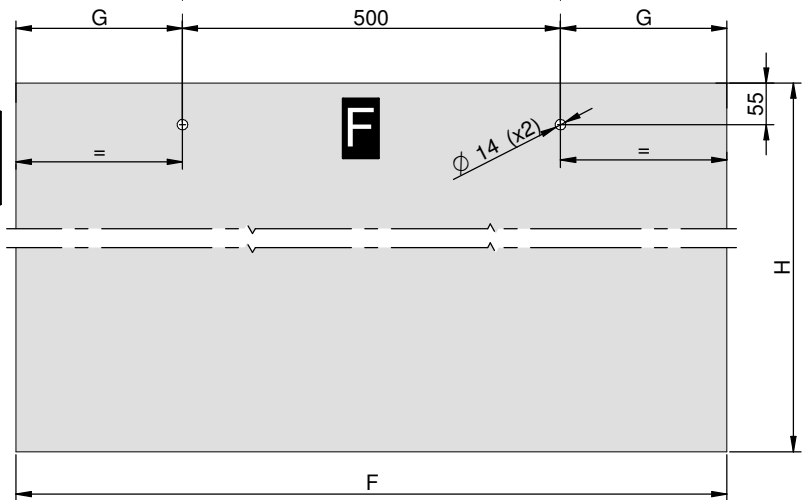


PUERTA CORREDERA  
SLIDING DOOR  
PORTE COULISSANTE



**CORTAR POR DOS LADOS PARA AJUSTAR**  
cut on two sides to adjust  
couper sur les deux côtés pour ajuster

VIDRIO FIJO  
FIXED GLASS  
VERRE FIXE



**C = H**

