

# saheco GIBLI CUADRO VIDRIO-PARED

Poligono Industrial Foradada - 08580 - Sant Quirze de Besora (Barcelona)  
 Telf. 34-93.852.92.23, Fax.34-93.852.91.59  
 Export. Telf. 34-93.852.96.15, Fax.34-93.852.91.76  
 e-mail: saheco@saheco.com - web: www.saheco.com

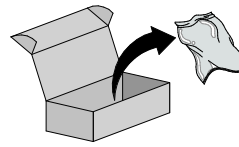
MADE IN E.U.

**GRUPO TORREMAT**



JULY - 2018

038060330



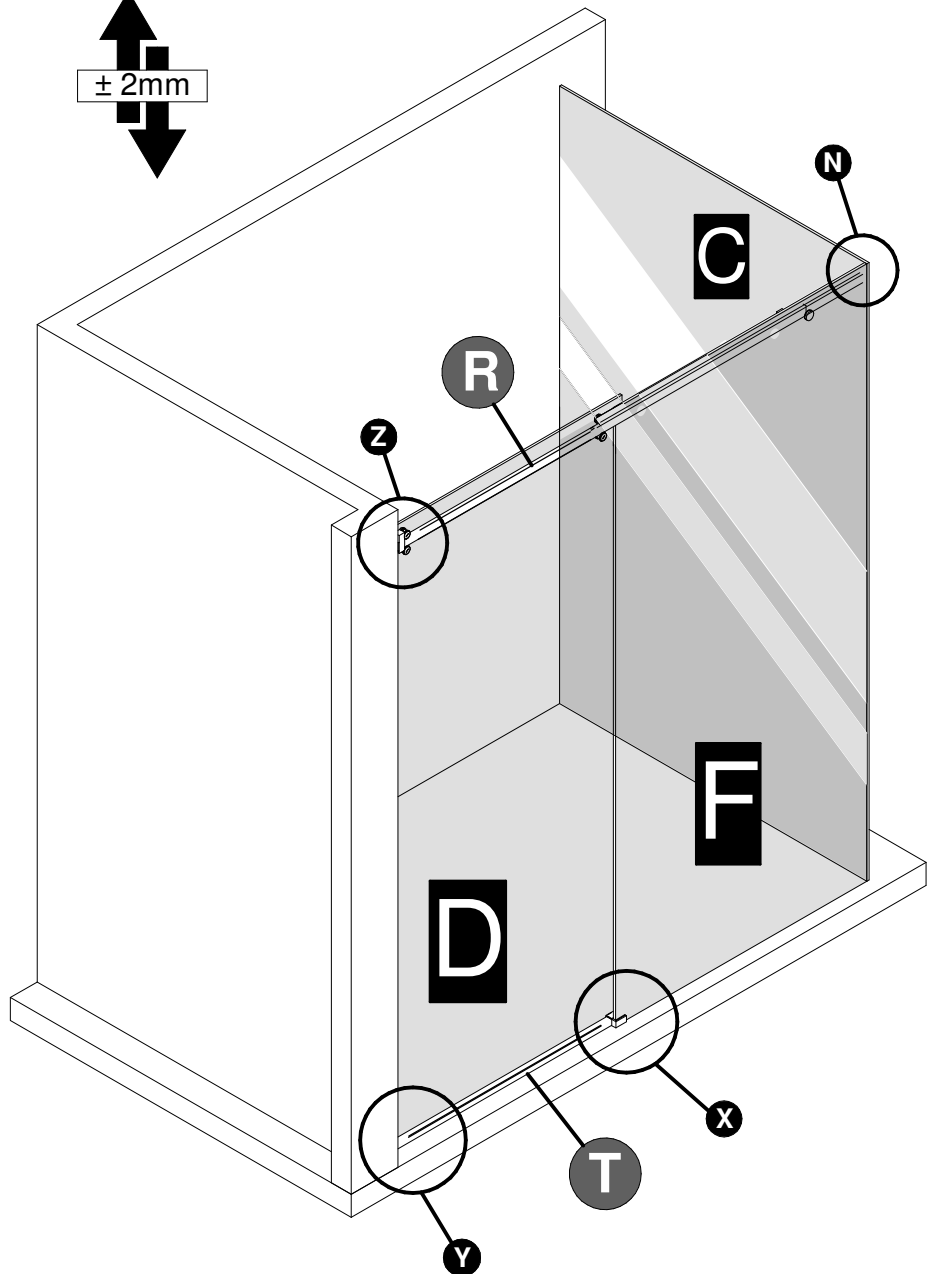
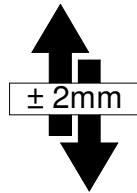
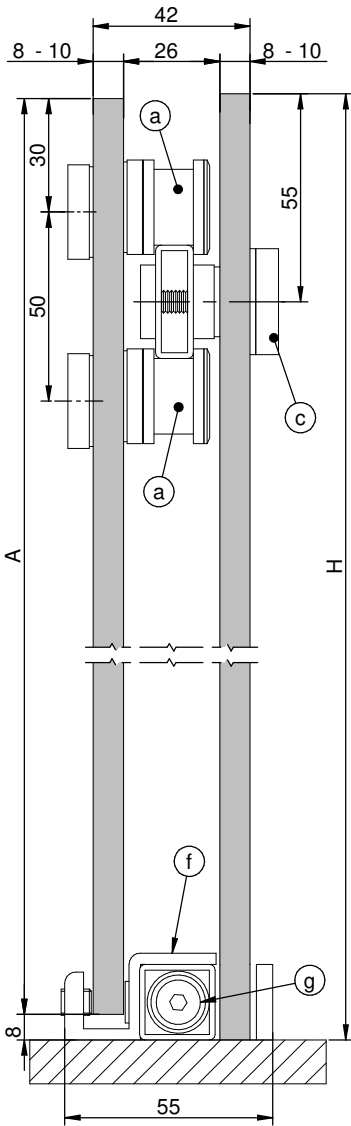
REF. 095012

R		1
T		1

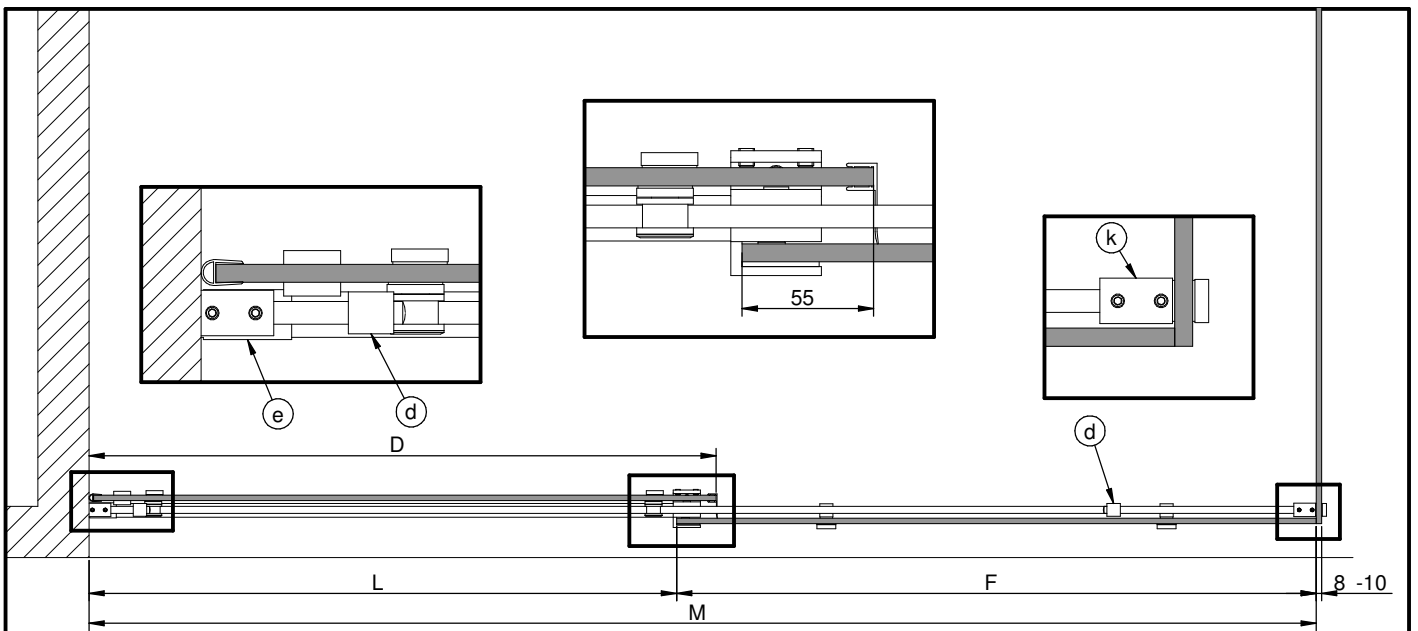
S		1
U		1

a		4
c		2
d		2

e		1
f		1
g		1
h		1
k		1



**A = H - 8**

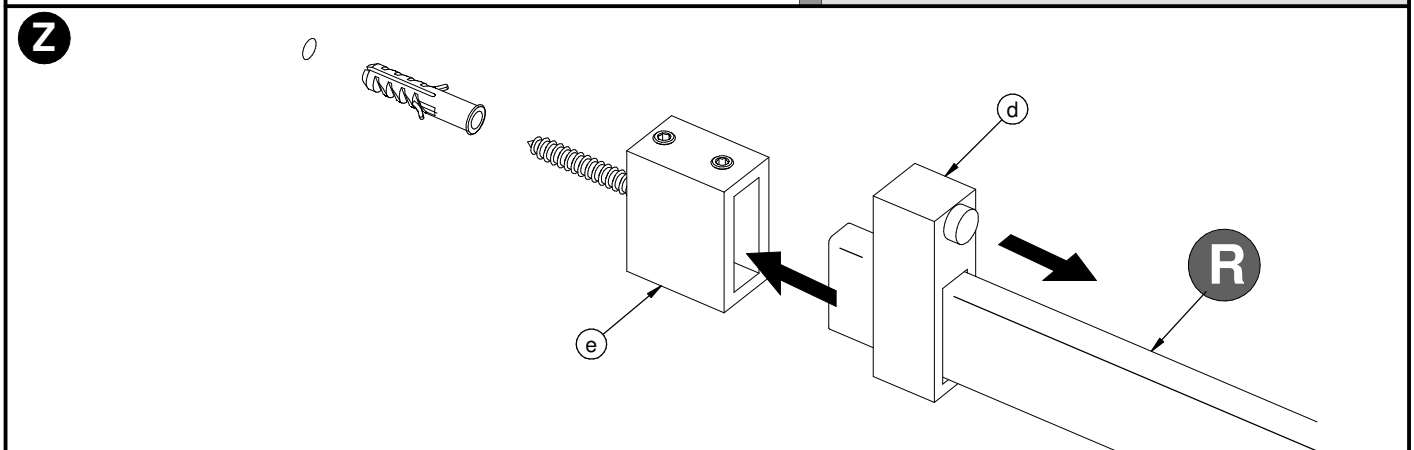
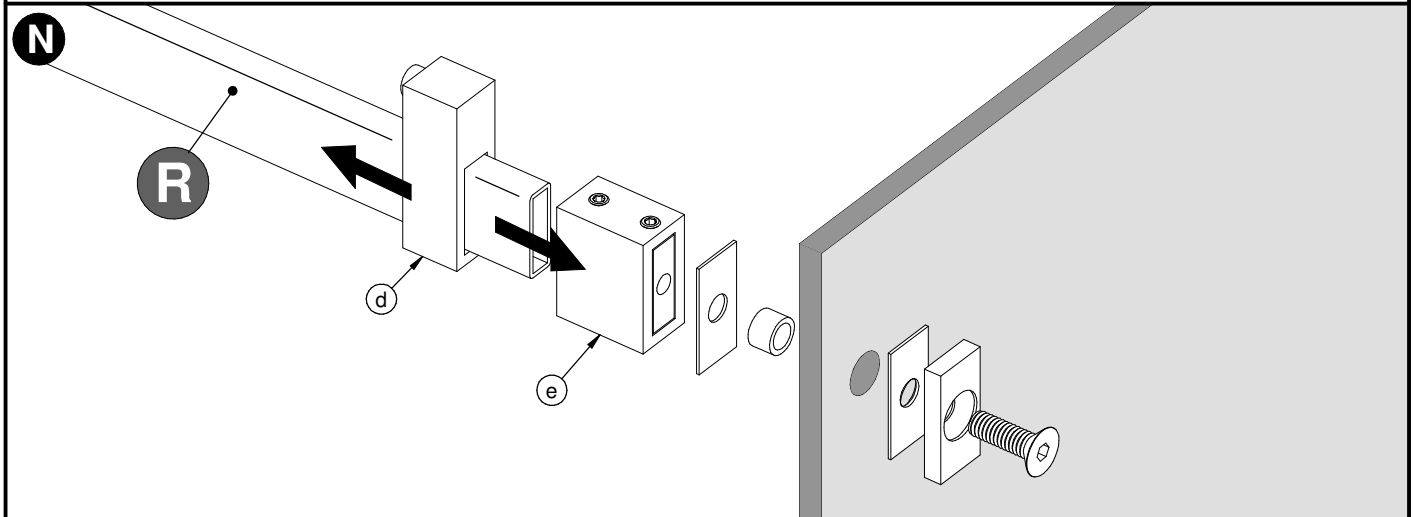
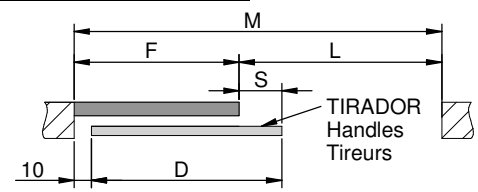
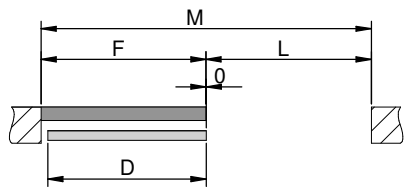


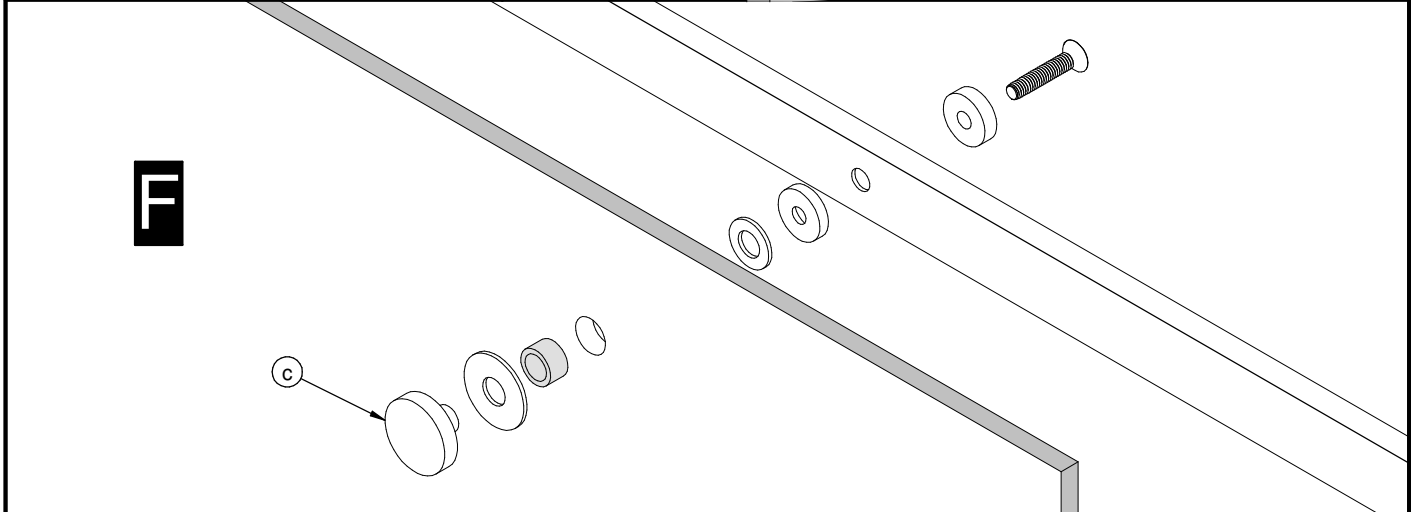
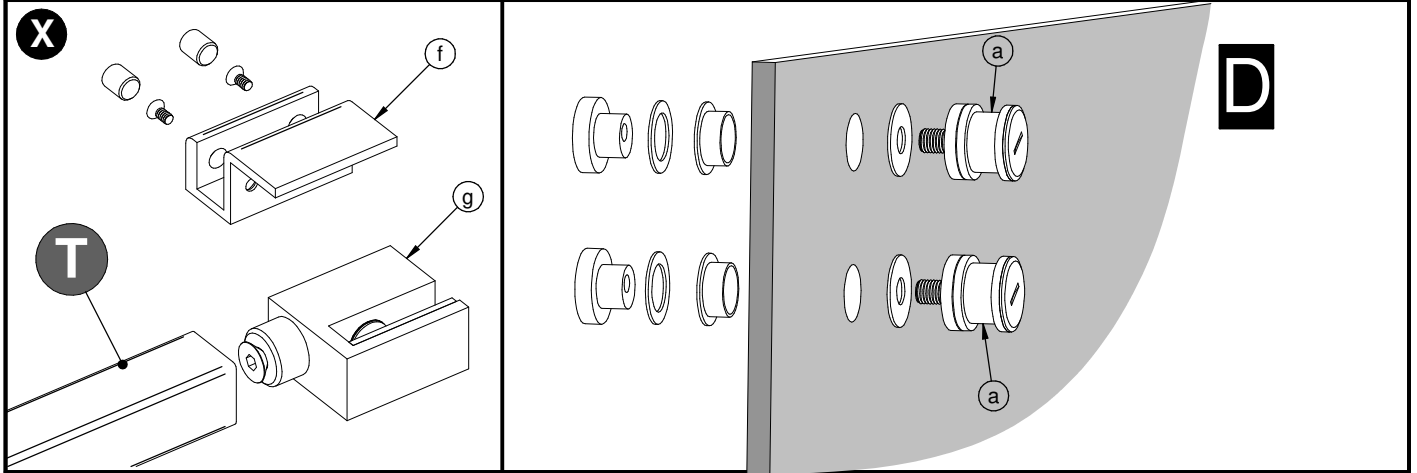
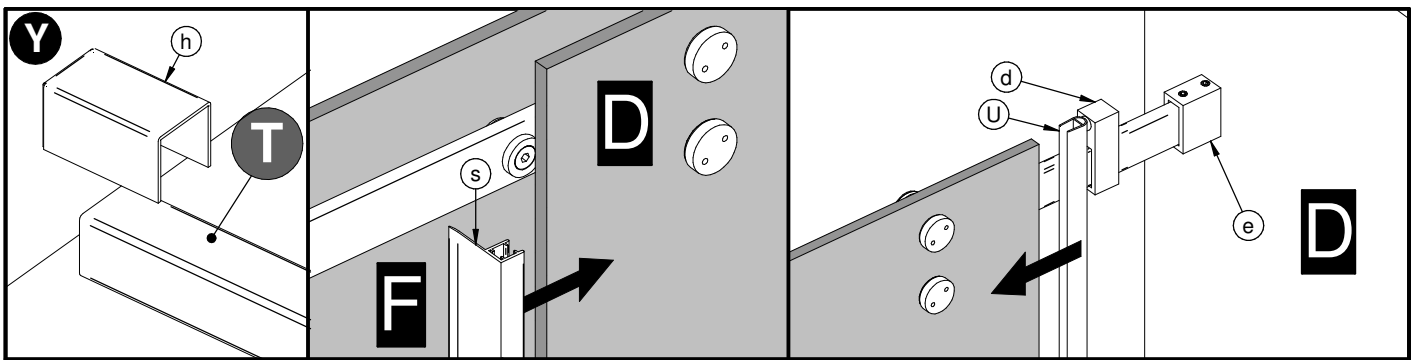
**INSTALACION ENRASADA**  
 Levelled assembly  
 Moutage arasé

**M = Max. 1800mm.**  
**L = Min. 450mm**  
**D = L + 55mm.**  
**F = M - L mm.**

**INSTALACION SOLAPADA**  
 Overlap assembly  
 Moutage Sournois

**M = Max. 1800mm**  
**L = Min. 450mm**  
**D =  $\frac{M + S + 55mm}{2}$**   
**F = M - L mm.**



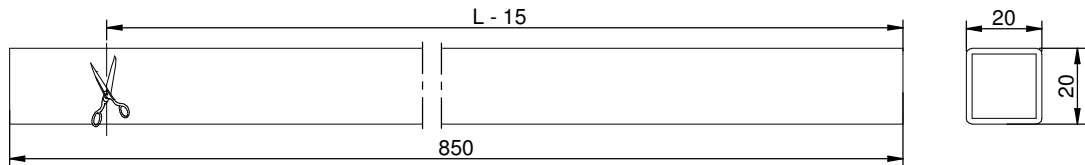


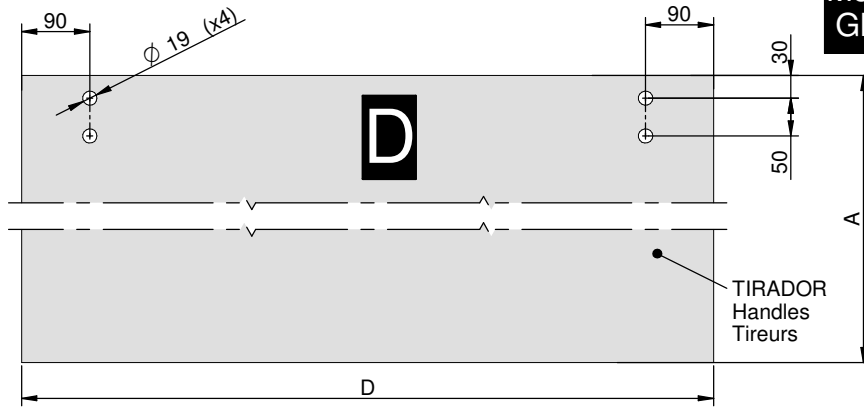
**MECANIZADO PERFIL INFERIOR**  
 Lower Profile preparation  
 Profil bas usinage



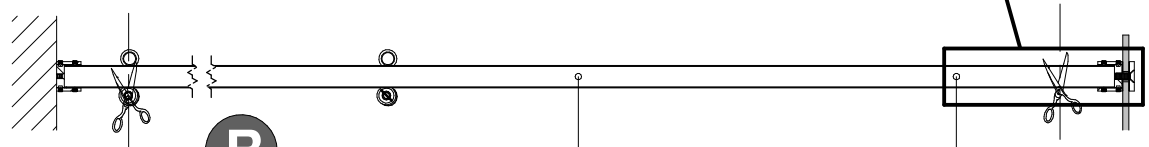
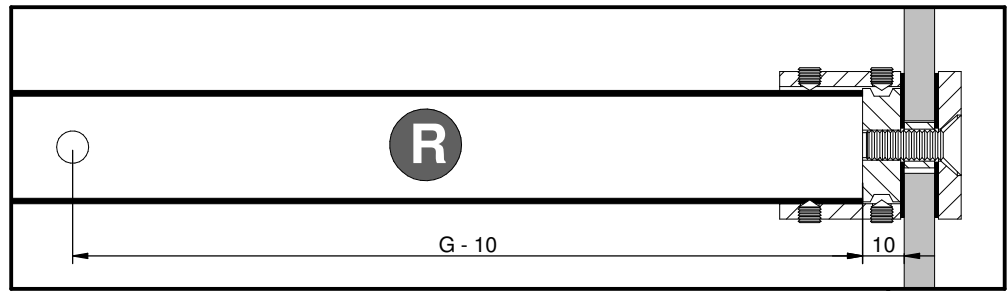
**CORTAR POR UN LADO PARA AJUSTAR**  
 cut on one side to adjust  
 coupé sur un côté pour ajuster

**T**

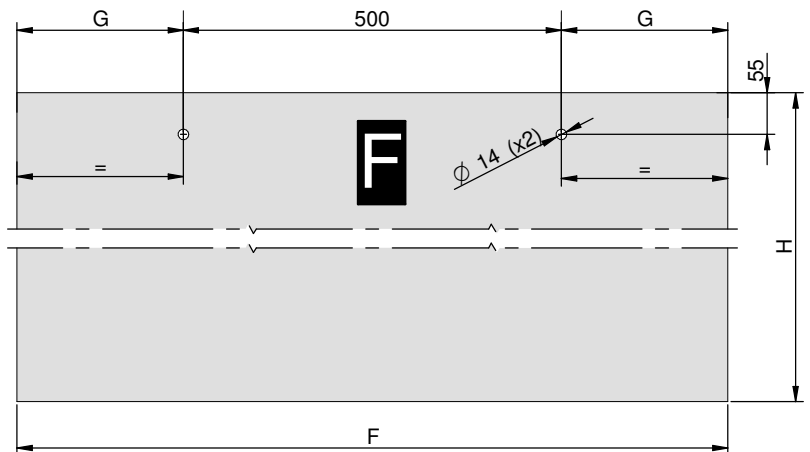




PUERTA CORREDERA  
SLIDING DOOR  
PORTE COULISSANTE



CORTAR POR DOS LADOS PARA AJUSTAR  
cut on two sides to adjust  
couper sur les deux côtés pour ajuster



VIDRIO FIJO  
FIXED GLASS  
VERRE FIXE

