

saheco

SINCRO SV-A125

Poligono Industrial Foradada - 08580 - Sant Quirze de Besora (Barcelona)

Telf. 34-93.852.92.23, Fax.34-93.852.91.59

Export. Telf. 34-93.852.96.15, Fax.34-93.852.91.76

e-mail: saheco@saheco.com

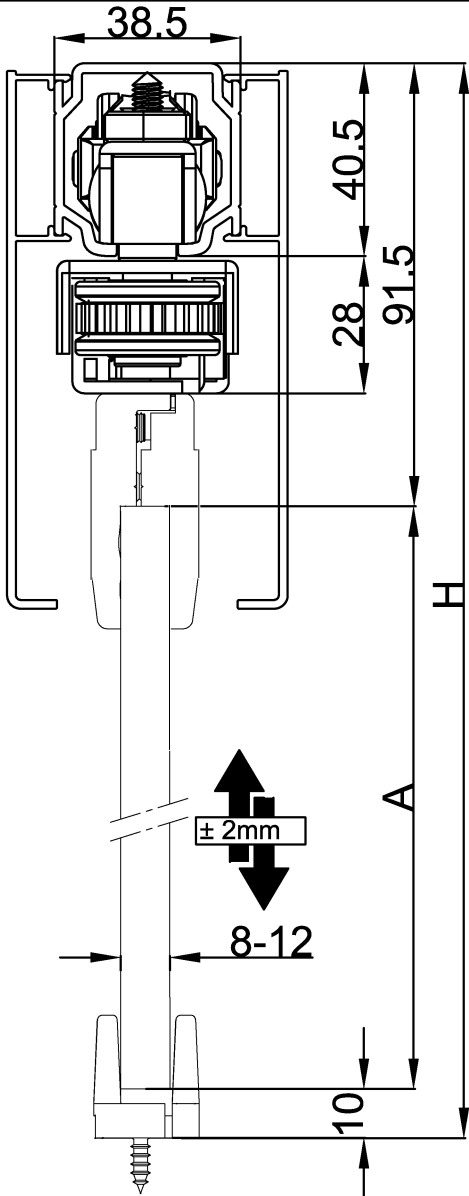
web: www.saheco.com

**GRUPO
TORREMAT**

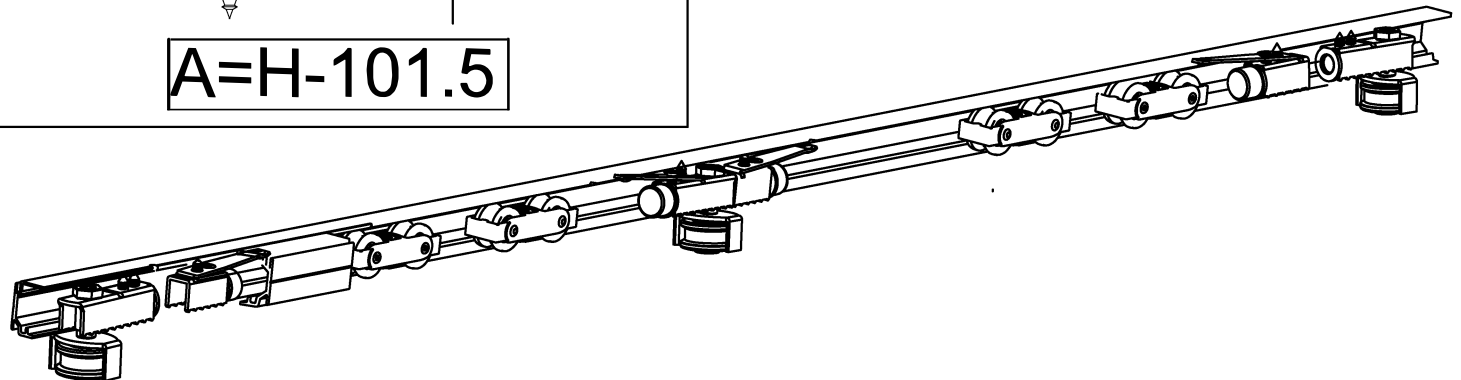
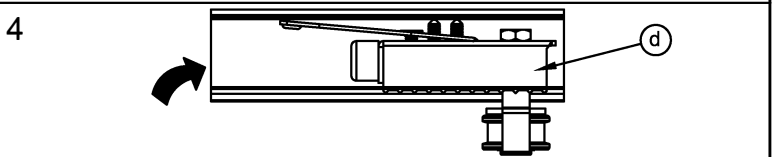
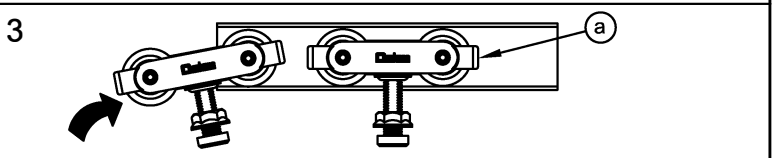
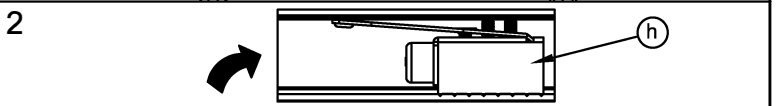
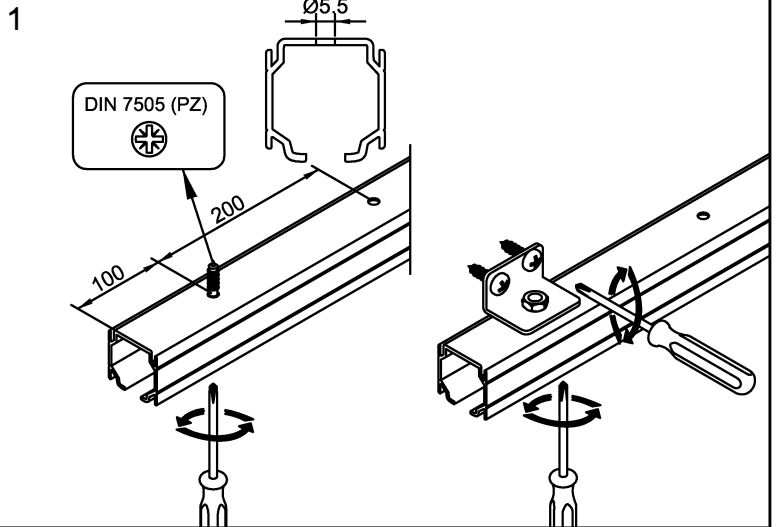


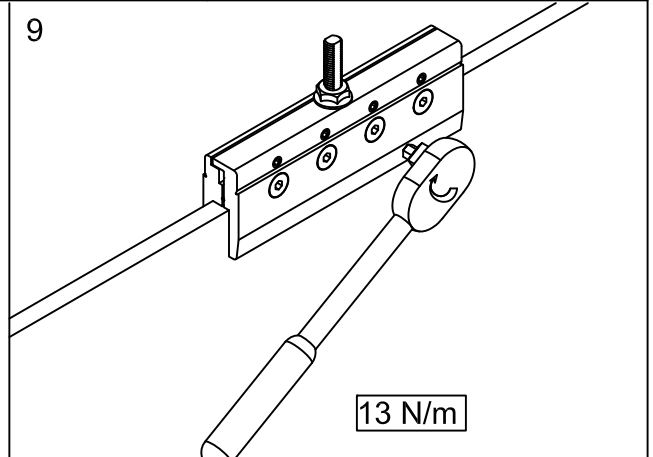
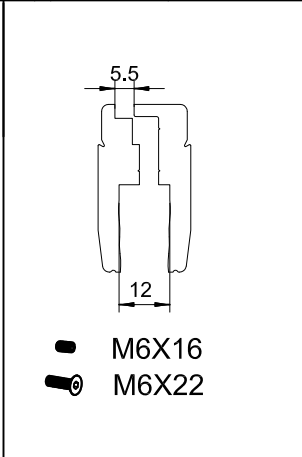
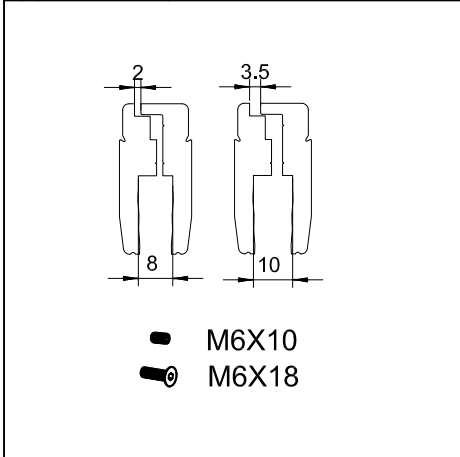
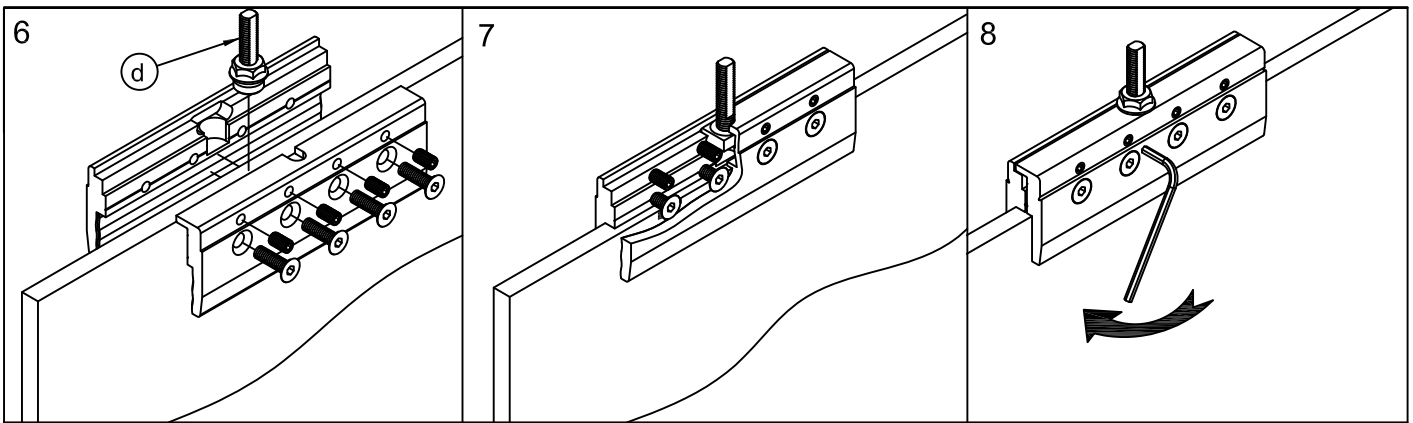
038060623

10115					
(a)		4	(e)		1
(b)		4	(f)		1
(c)		2	(g)		2
(d)		1	(h)		3
(w)		1	(i)		1
			(j)		2

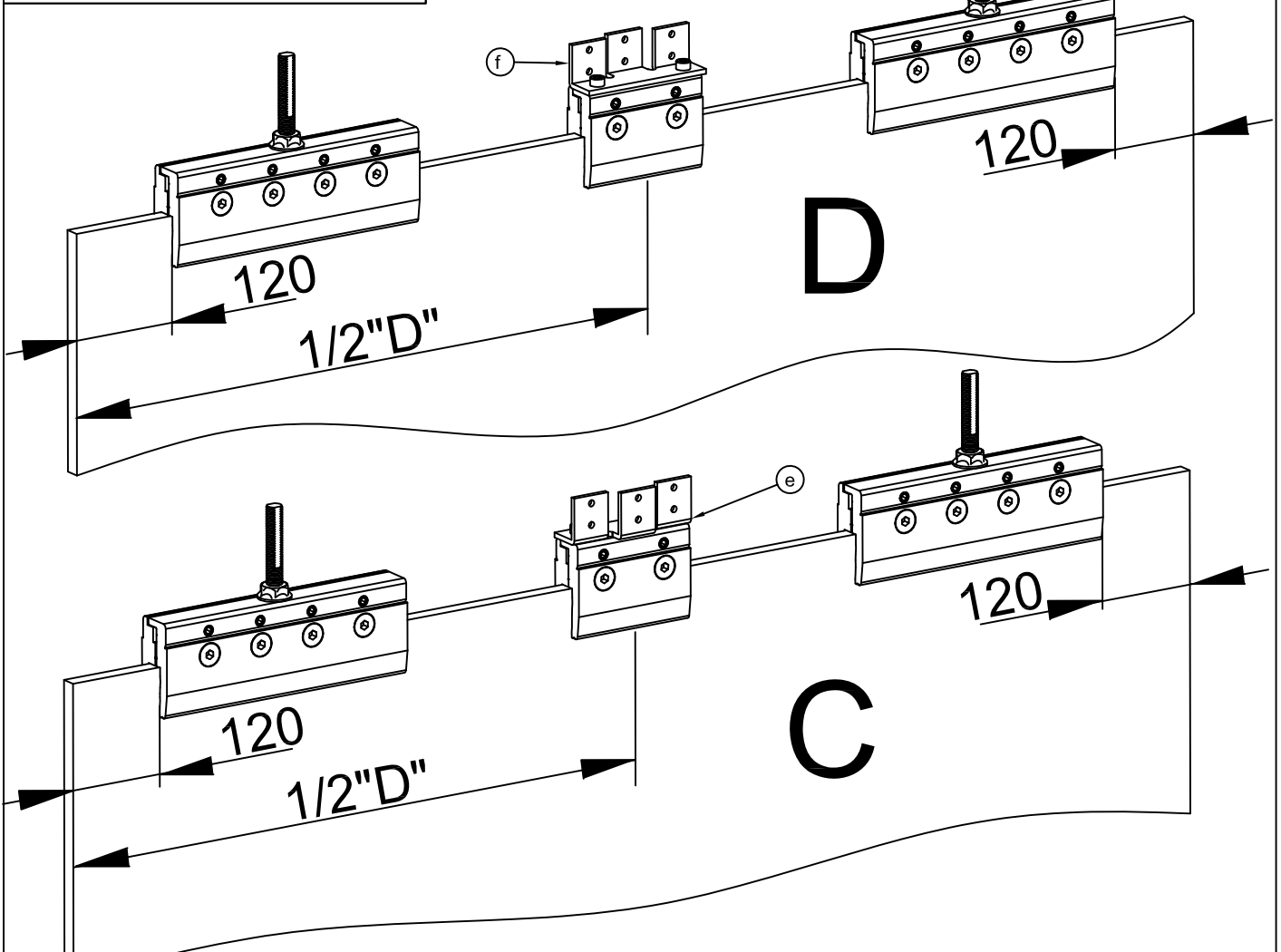


$$A = H - 101.5$$

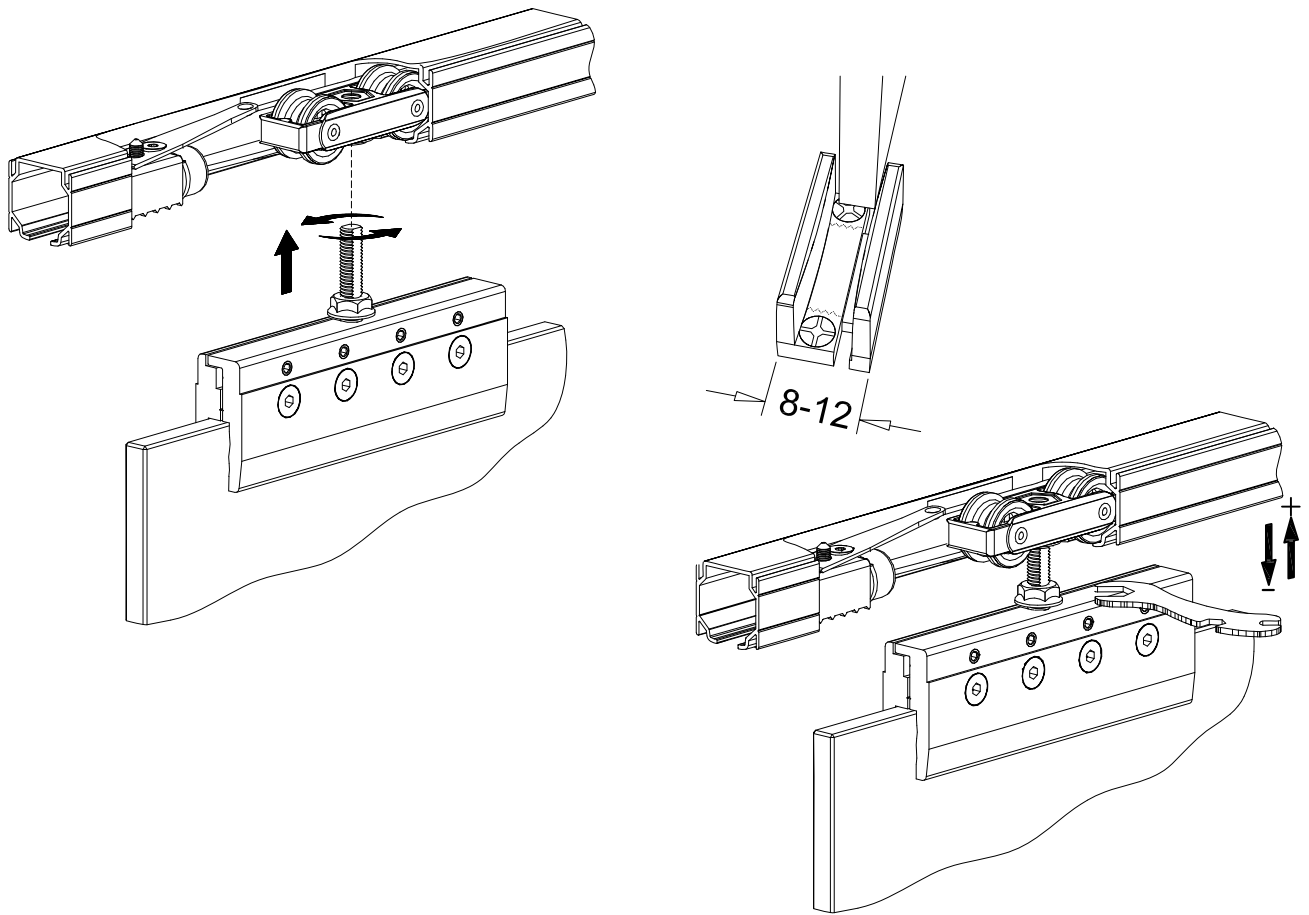




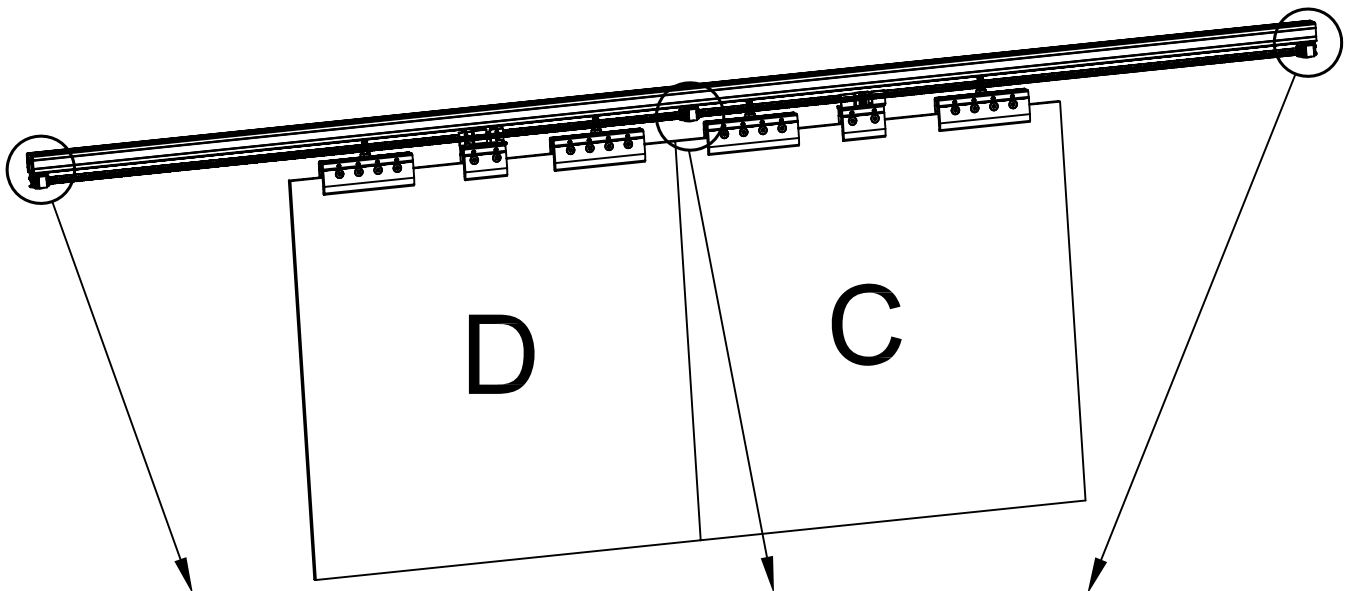
Posicion Pinzas en las Hojas
 Clamps Situation on sheets
 Situation pinces dans les portes



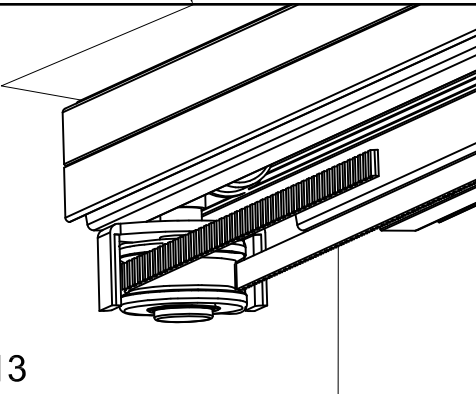
11



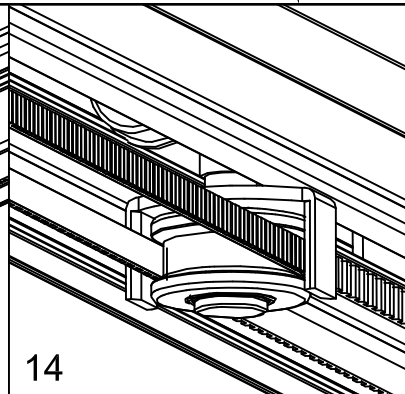
12



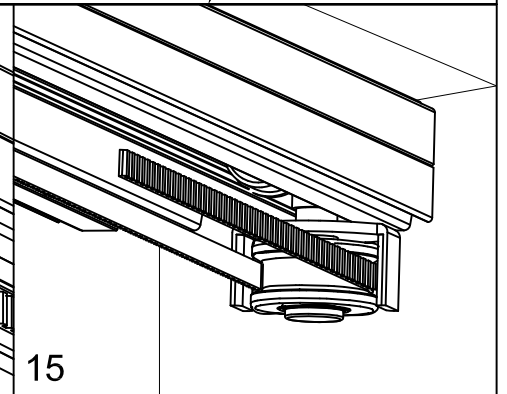
13



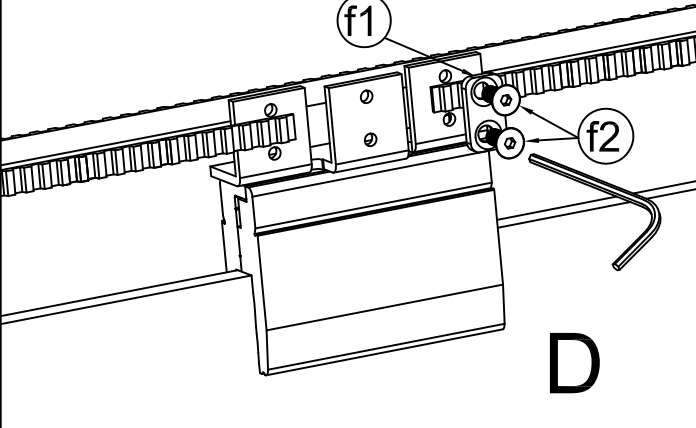
14



15

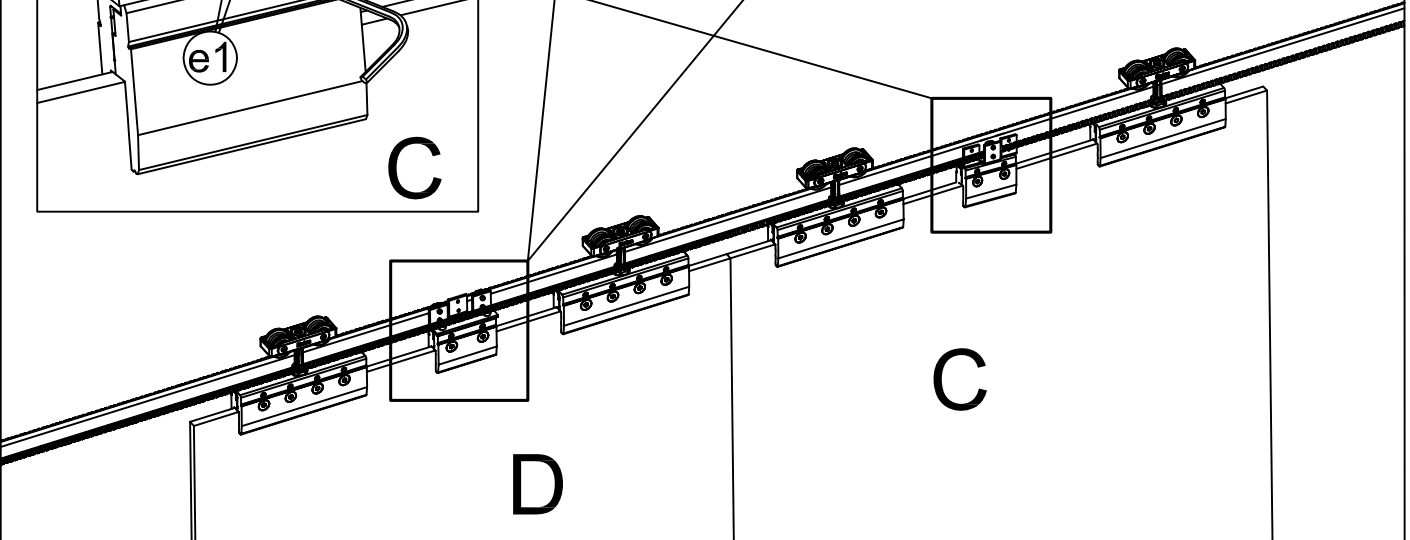
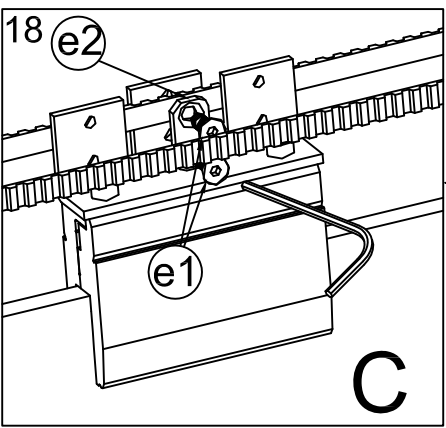
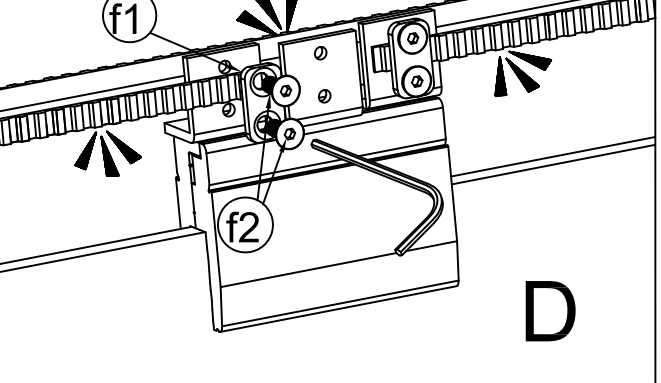


16



17

The belt must be strained before fix the screws.



19

