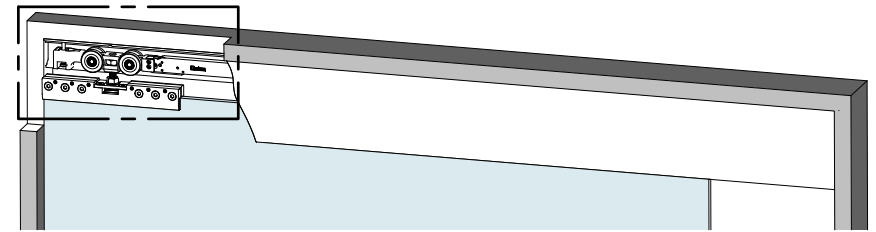
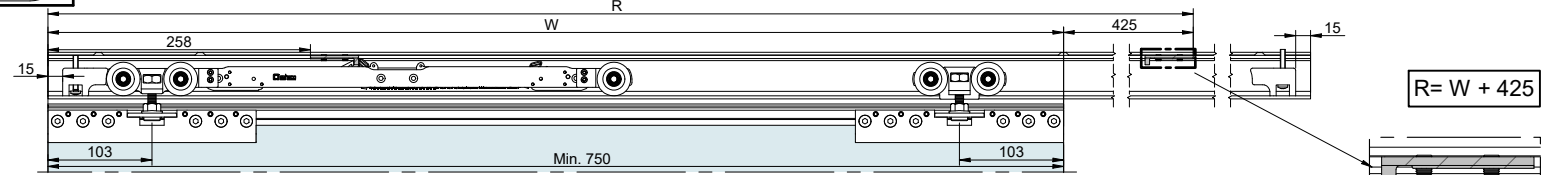


CODE: 014003

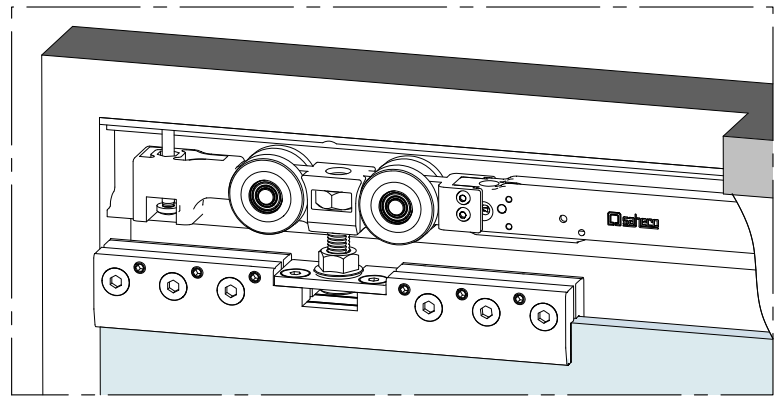
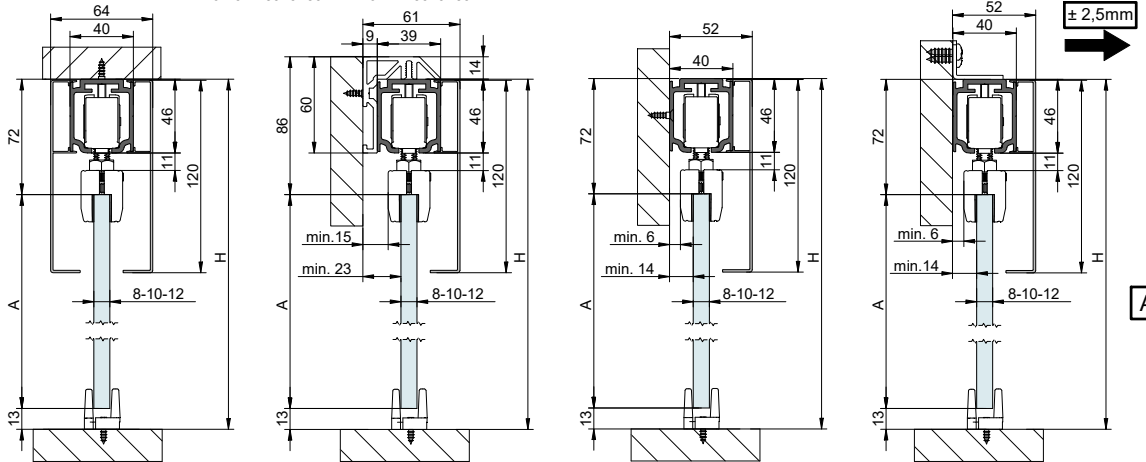
| | | | |
|---|---|-----------------|---|
| | j | | 1 |
| a | | | 1 |
| b | | | 2 |
| c | | | 2 |
| d | | | 2 |
| e | | | 1 |
| f | | DIN 7505 A 4x20 | 2 |
| g | | | 1 |
| h | | M10 X 45 | 2 |
| i | | | 2 |
| j | | | 2 |



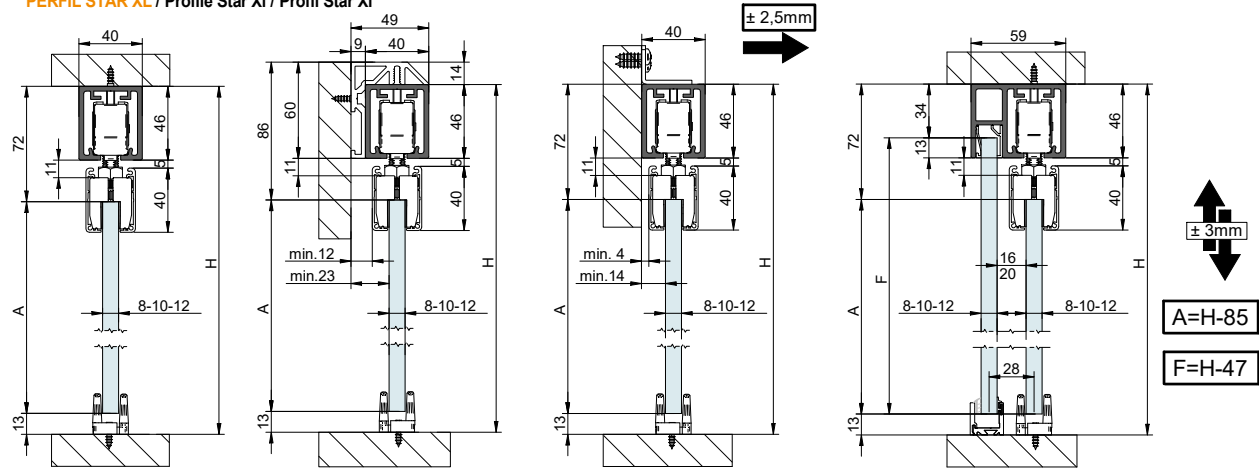
FUERZA ABRIR · Force open = $40 \pm 5N$ ($4 \pm 0,5 Kg$)
FUERZA CERRAR · Force close = $40 \pm 5N$ ($4 \pm 0,5 Kg$)



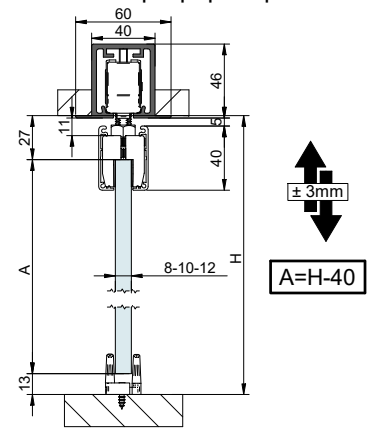
PERFIL EXCELLENCE XL / Profile Excellence XI / Profil Excellence XI



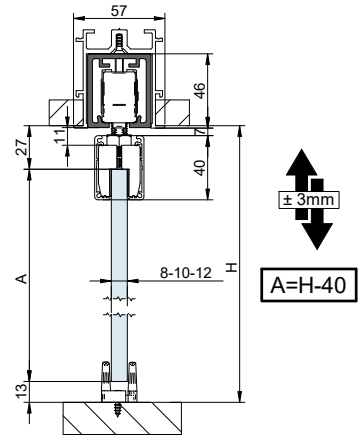
PERFIL STAR XL / Profile Star XI / Profil Star XI



PERFIL STAR FALSO TECHO XL / Profile Star for plasterboard XI / Profil Star pour plaques en plâtre XI



MONTAJE PERFIL FUNDA XL / Assembly Support FT XL track



1 MONTAJE A TECHO / Ceiling mount / Fixation à plafond

EXCELLENCE STAR

100 400

DIN 7505

2 MONTAJE A PARED + PERFIL SEPARADOR / Wall mount + full width side fixing profile

100 200

DIN 7505 A 5x50

3 MONTAJE A PARED / Wall mount / Fixation à plafond

400 100

4 MONTAJE COMPONENTES / Assembly components mount / Composant d'assemblage

M10

5 MONTAJE FRENO / Brake mount /

FIJAR FRENO RETENEDOR
Set retainer brake
Régler le frein de retenue

6 MONTAJE PINZAS / Clamps assembly / Assemblages pines

103

1 3 5

8 10 12

7

PRIMER PASO: AJUSTAR TORNILLOS AJUSTE GROSOR VIDRIO
FIRST STEP: ADJUST GLASS THICKNESS SCREWS

SEGUNDO PASO: APRETAR TORNILLOS APRIETE PINZA
SECOND STEP: STRENGTHEN CLAMP THIGHTHEN SCREWS

TERCER PASO: APRETAR TORNILLOS AJUSTE GROSOR VIDRIO
THIRD STEP: STRENGTHEN THE GLASS THICKNESS SCREWS

13 N/m

± 3mm

8 MONTAJE GUIADOR / Guide mount / Assemblage guide

REF.: 00 40 57

9 MONTAJE TAPETA / Pelmet cover mount / Bandeau à clipser sur rail

10 TAPETAS LATERALES / Cover caps / Capuchons finals

11 MONTAJE VIDRIO FIJO / Fixed glass mount

MONTAJE PERFIL FUNDA XL / AssemblySupport FT XL track

Ø 5,5

FALSO TECHO / False ceiling

25 400

| LARGO / | Nº TALADROS / |
|---------|---------------|
| 2m | 6 (Ø 5,5mm) |
| 3m | 9 (Ø 5,5mm) |
| 4m | 11 (Ø 5,5mm) |
| 6m | 16 (Ø 5,5mm) |

12

DIN 7505 A 5

13

DIN 7982 4,8x13

14