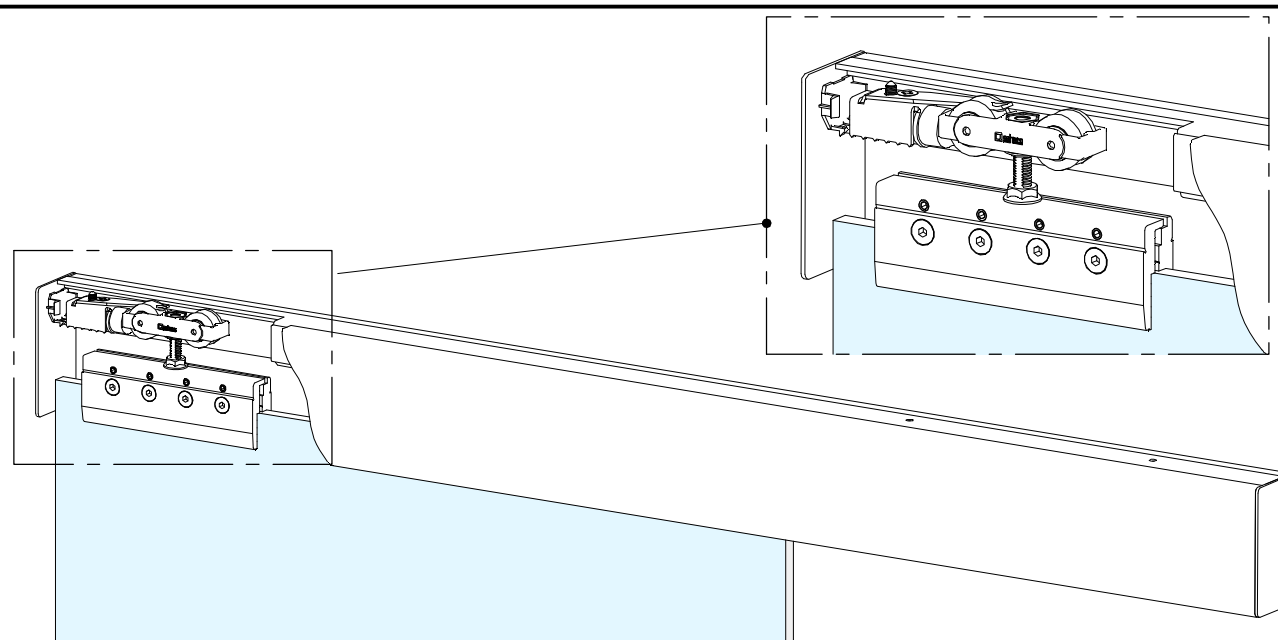
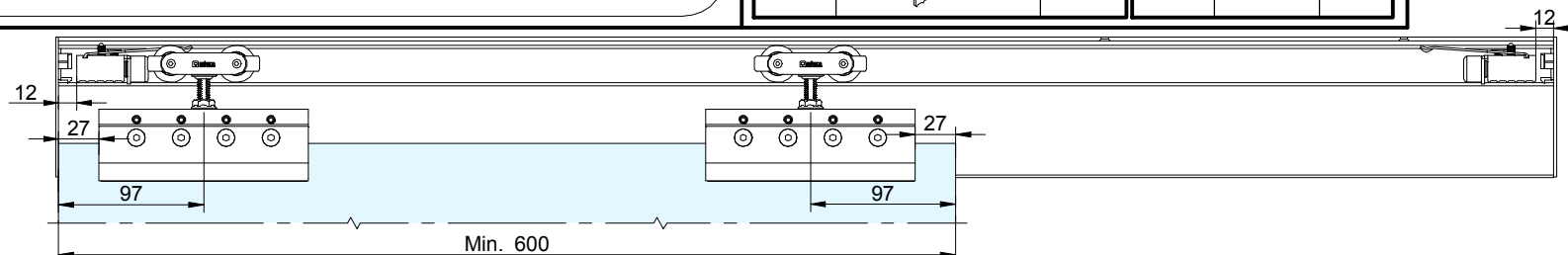


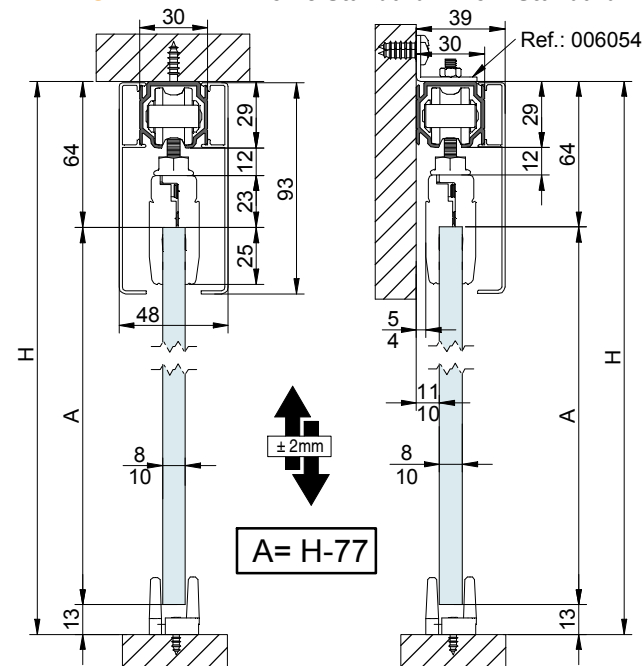


CODE: 008600

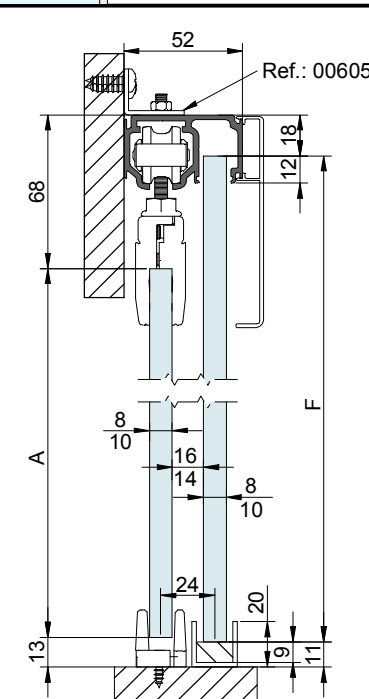
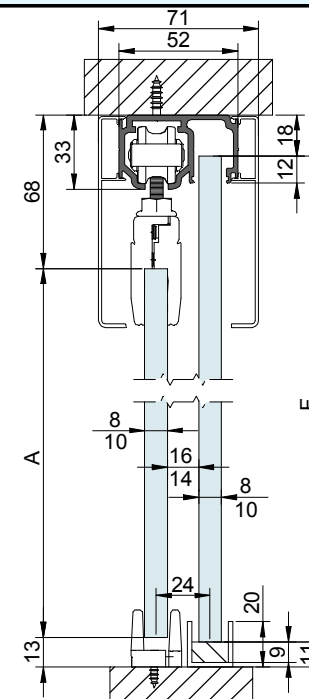
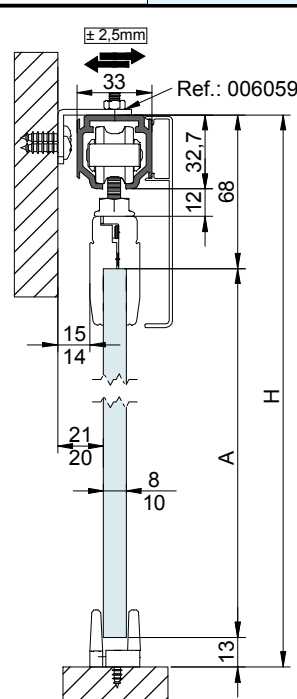
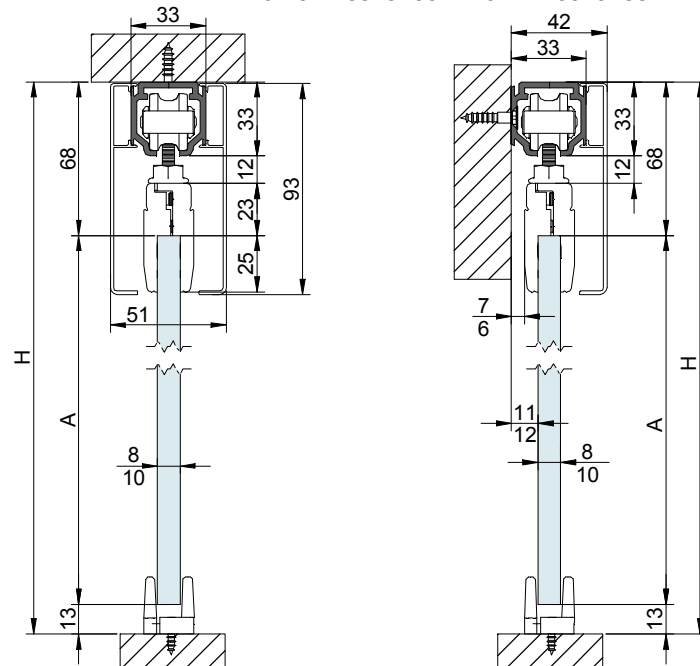
a		2	d		1
b		2	e	 DIN 7505 A 4x20	2
c		1	f		1
d		1	g		1



PERFIL STANDARD / Profile Standard / Profil Standard

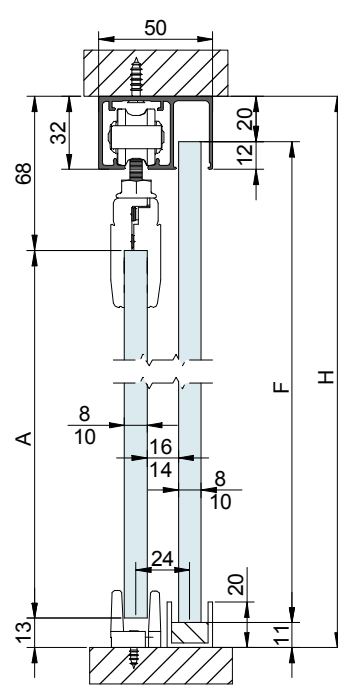
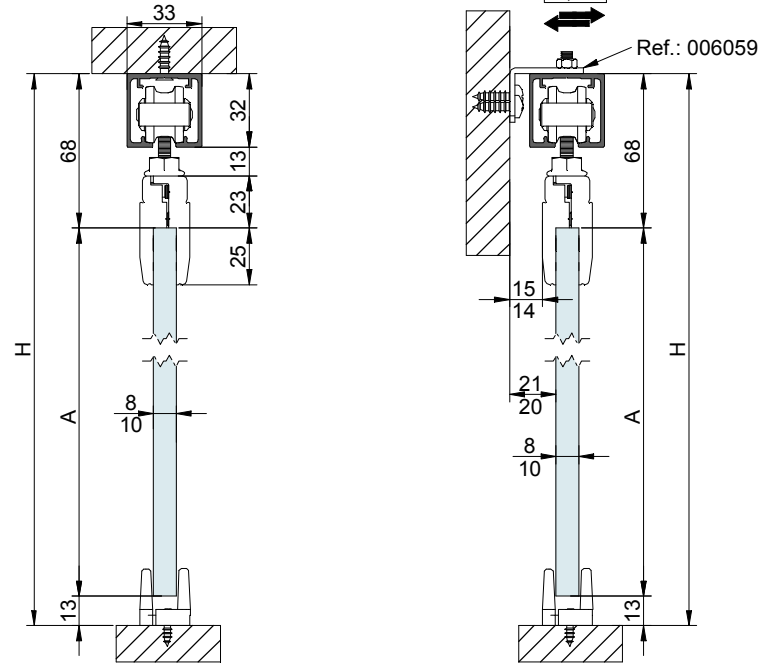


PERFIL EXCELLENCE / Profile Excellence / Profil Excellence



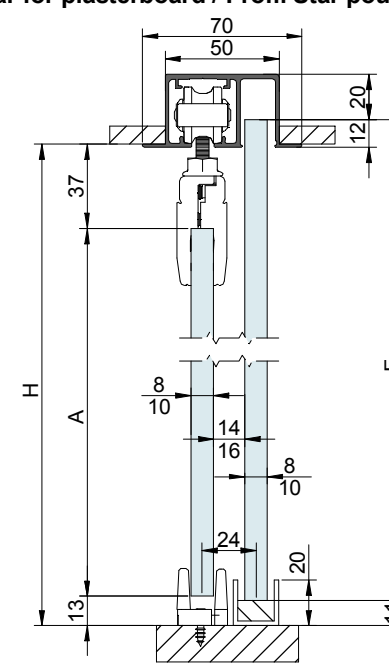
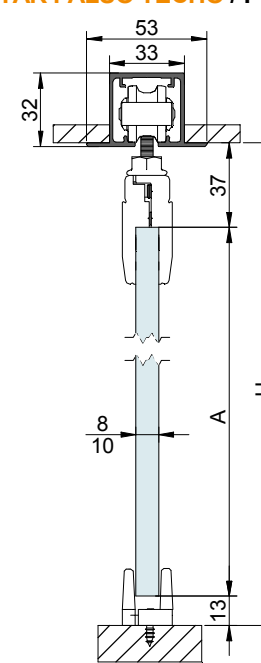
±2mm
A = H - 81
F = H - 29

PERFIL STAR / Profile Star / Profil Star



±2mm
A = H - 81
F = H - 31

PERFIL STAR FALSO TECHO / Profile Star for plasterboard / Profil Star pour plaques en plâtre



±2mm
A = H - 50
F = H

1 MONTAJE A TECHO / Ceiling mount / Fixation à plafond

STANDARD

EXCELLENCE

STAR

2 MONTAJE A PARED / Wall mount / Fixation à plafond

STANDARD

EXCELLENCE

STAR

3 MONTAJE COMPONENTES / Assembly components / Composant d'assemblage

4

TENSAR FRENO RETENEDOR
Tighten retainer brake
Serrer le frein de retenue

FIJAR FRENO RETENEDOR
Set retainer brake
Régler le frein de retenue

5 MONTAJE PINZAS / Calmps assembly / Assemblages pinces

6

PRIMER PASO: AJUSTAR TORNILLOS AJUSTE GROSOR VIDRIO
FIRST STEP: ADJUST GLASS THICKNESS SCREWS

SEGUNDO PASO: APRETAR TORNILLOS APRIETE PINZA
SECOND STEP: STRENGTH CLAMP THIGTHEN SCREWS

TERCER PASO: APRETAR TORNILLOS AJUSTE GROSOR VIDRIO
THIRD STEP: STRENGTH THE GLASS THICKNESS SCREWS

7 MONTAJE GUIADOR / Guide mount / Assemblage guide

REF.: 00 40 57

8 MONTAJE TAPETA
Pelmet cover mount
Bandeau à clipser sur rail

STANDARD

EXCELLENCE

9 TAPETAS LATERALES / Cover caps / Capuchons finals

CODE: 008074