

saheco SV-A90

sistemas para puertas correderas 2 SOFTBRAKE SIMPLE

Poligono Industrial Foradada - 08580 - Sant Quirze de Besora (Barcelona)
 Telf. 34-93.852.92.23
 Export. Telf. 34-93.852.96.15
 e-mail: saheco@saheco.com - web: www.saheco.com

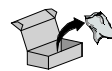
MADE IN E.U.

GRUPO TORREMAT



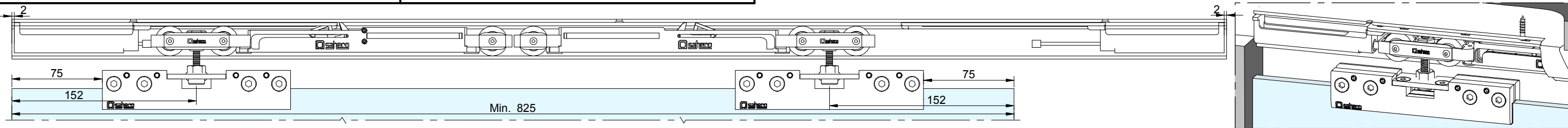
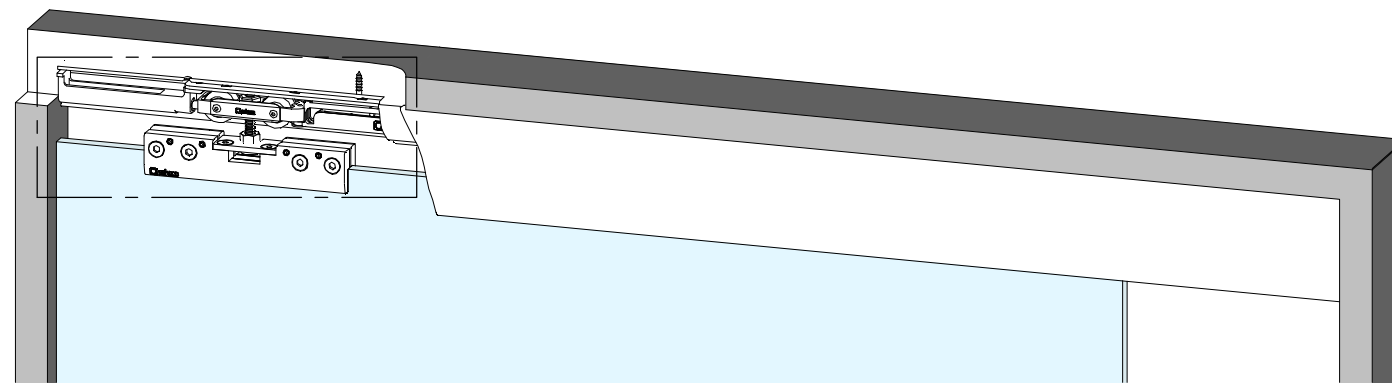
JULY 2020

038060728

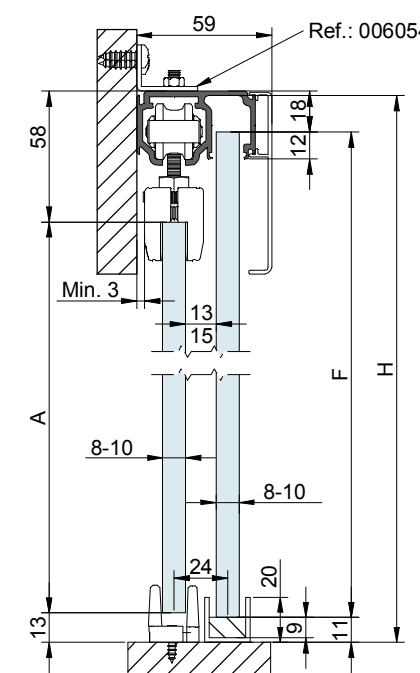
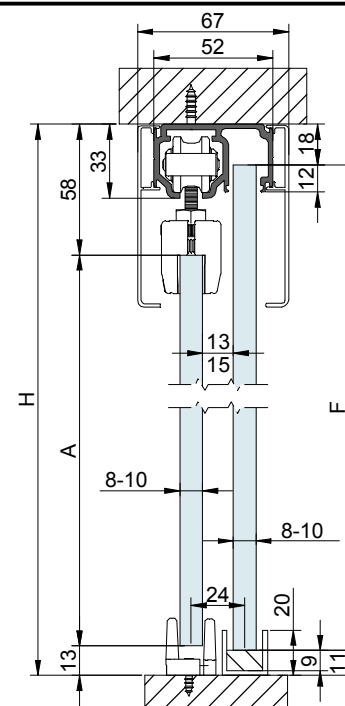
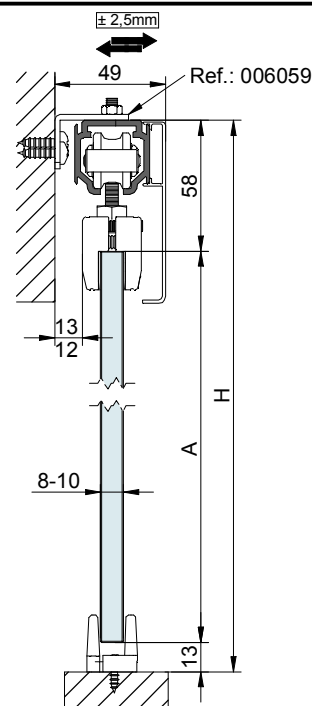
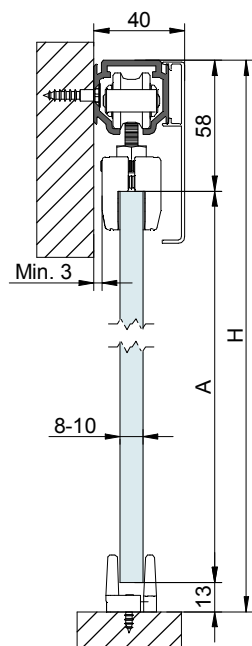
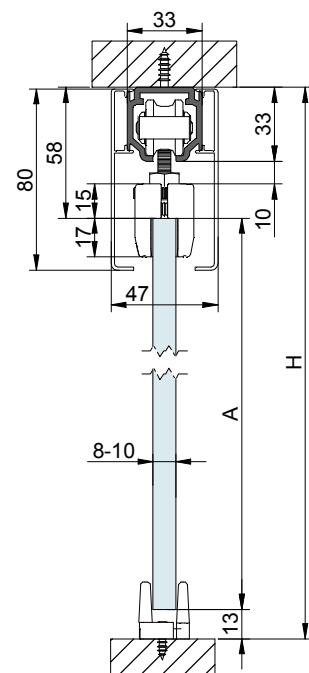


CODE: 008606

a		2	d		1
b		2	f		2
c		2	g		1

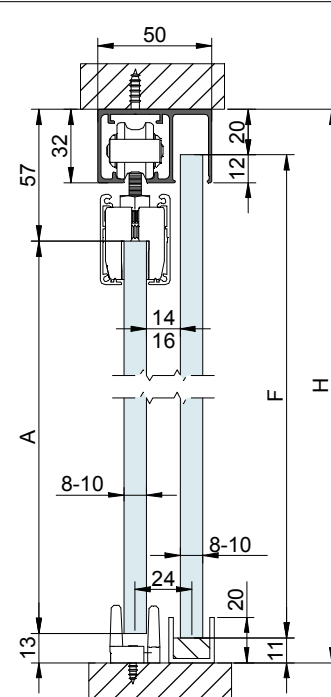
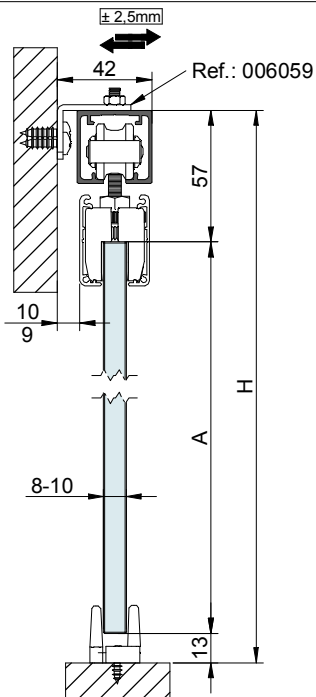
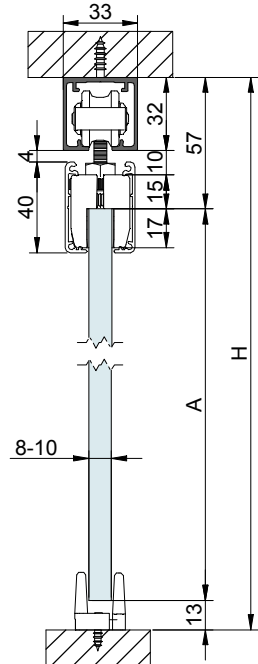


PERFIL EXCELLENCE / Profile Excellence / Profil Excellence



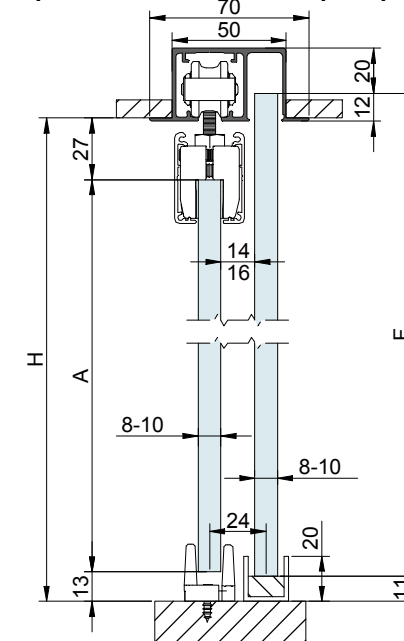
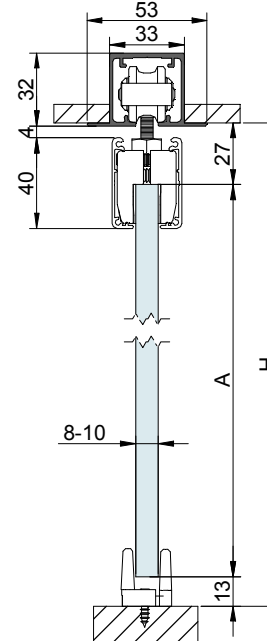
±2mm
 A = H - 71
 F = H - 29

PERFIL STAR / Profile Star / Profil Starr



±2mm
 A = H - 70
 F = H - 31

PERFIL STAR FALSO TECHO / Profile Star for plasterboard / Profil Star pour plaques en plâtre



±2mm
 A = H - 40
 F = H

1 MONTAJE A TECHO / Ceiling mount / Fixation à plafond

EXCELLENCE

DIN 7505

STAR

2 MONTAJE A PARED / Wall mount / Fixation à plafond

EXCELLENCE

STAR

3 MONTAJE COMPONENTES / Assembly components / Composant d'assemblage

4

NO APRETAR FUERTE
DO NOT TIGHTEN STRONG

5

TENSAR FRENO RETENEDOR
Tighten retainer brake
Serrer le frein de retenue

FIJAR FRENO RETENEDOR
Set retainer brake
Régler le frein de retenue

6 MONTAJE PINZAS / Calmps assembly / Assemblages pinces

7

PRIMER PASO: AJUSTAR TORNILLOS AJUSTE GROSOR VIDRIO
FIRST STEP: ADJUST GLASS THICKNESS SCREWS

SEGUNDO PASO: APRETAR TORNILLOS APRIETE PINZA
SECOND STEP: STRENGTH CLAMP THIGTHEN SCREWS

13 N/m

TERCER PASO: APRETAR TORNILLOS AJUSTE GROSOR VIDRIO
THIRD STEP: STRENGTH THE GLASS THICKNESS SCREWS

90°

8

REF.: 00 40 57

±2mm

MONTAJE GUIADOR / Guide mount / Assemblage guide

9 MONTAJE TAPETA / Pelmet cover mount / Bandeau à clipser sur rail

10 TAPETAS LATERALES / Cover caps / Capuchons finals

CODE: 008074

11 TAPETA EASY LARGE / EASY LARGE pelmet cover / Cache-pince EASY LARGE