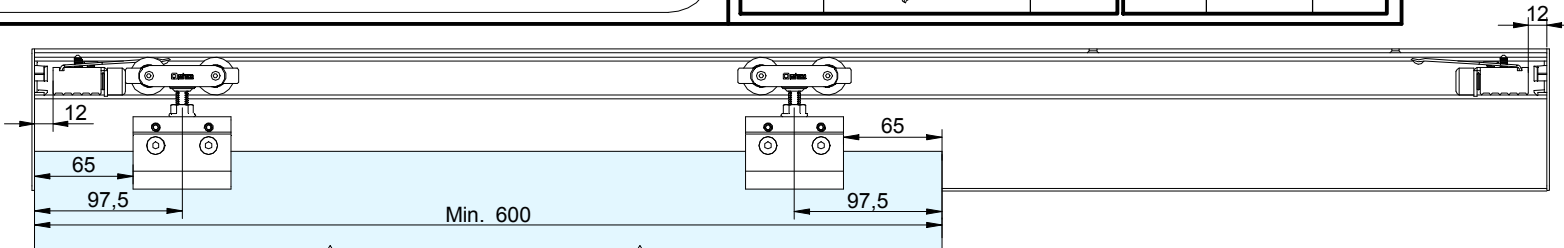
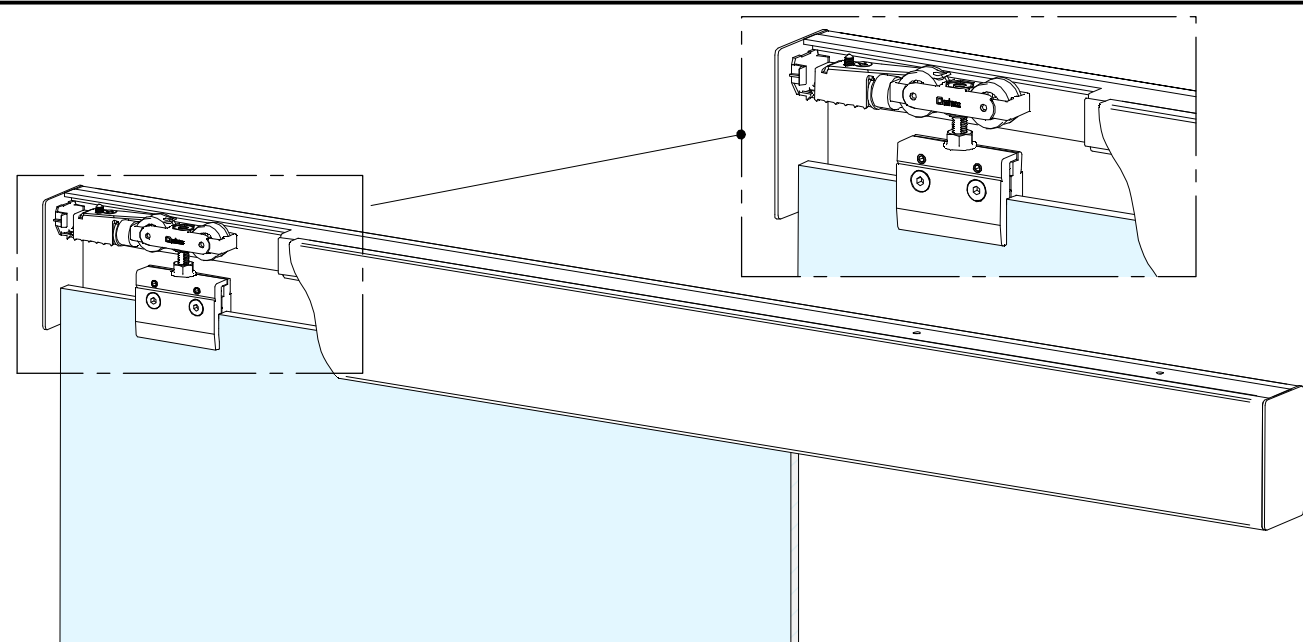


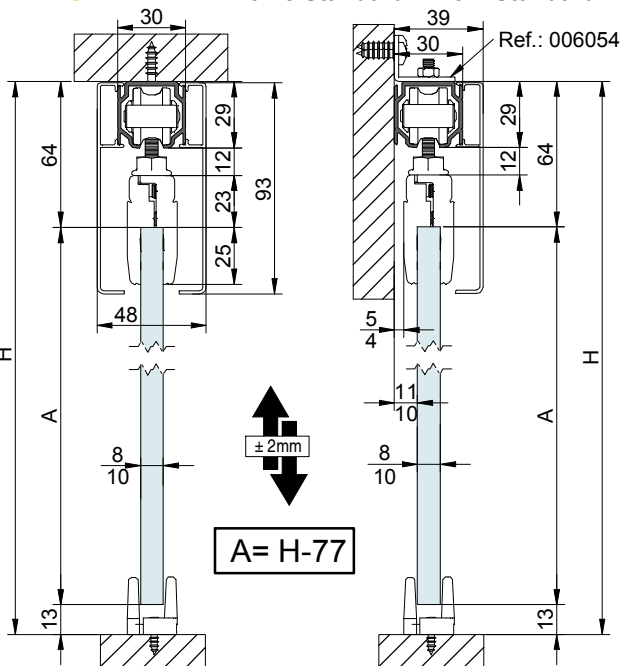


CODE: 005600

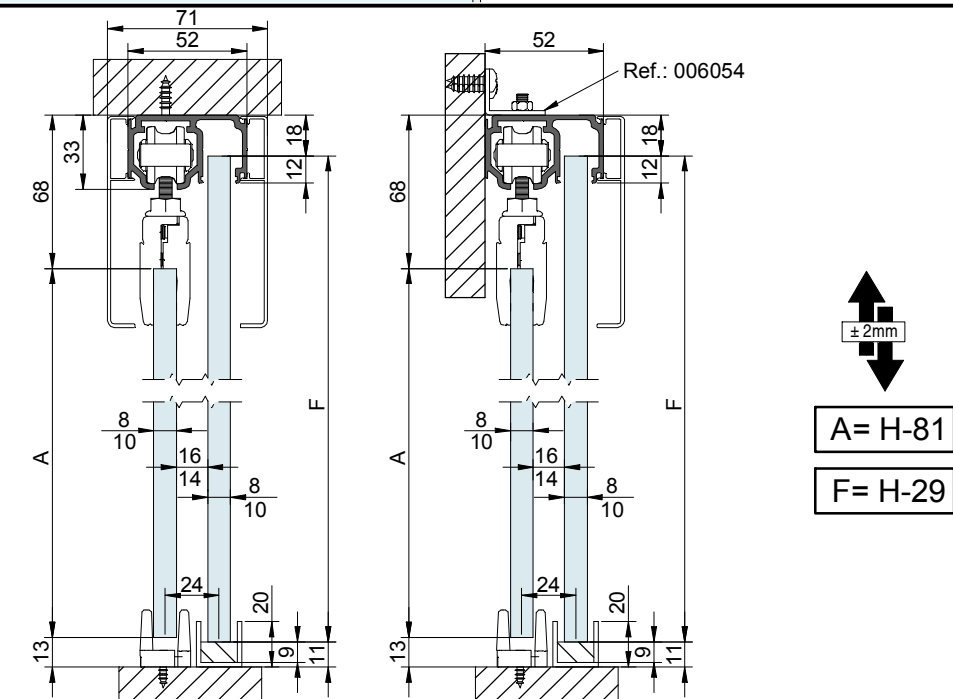
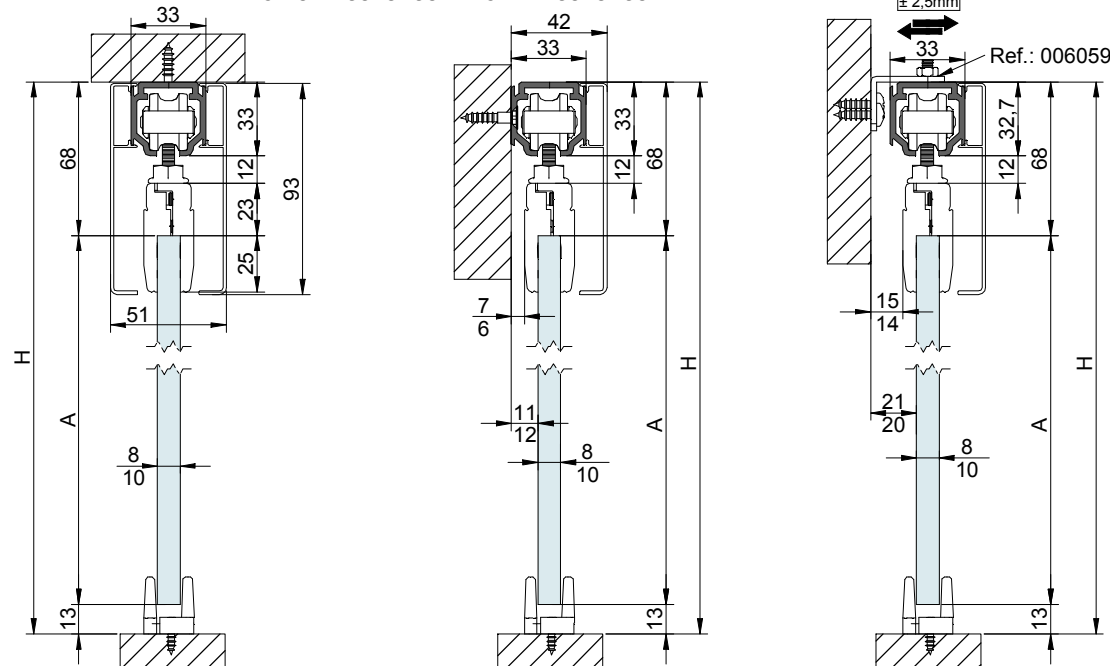
a		2	d		1
b		2	e		2
c		1	f		1
d		1	g		1



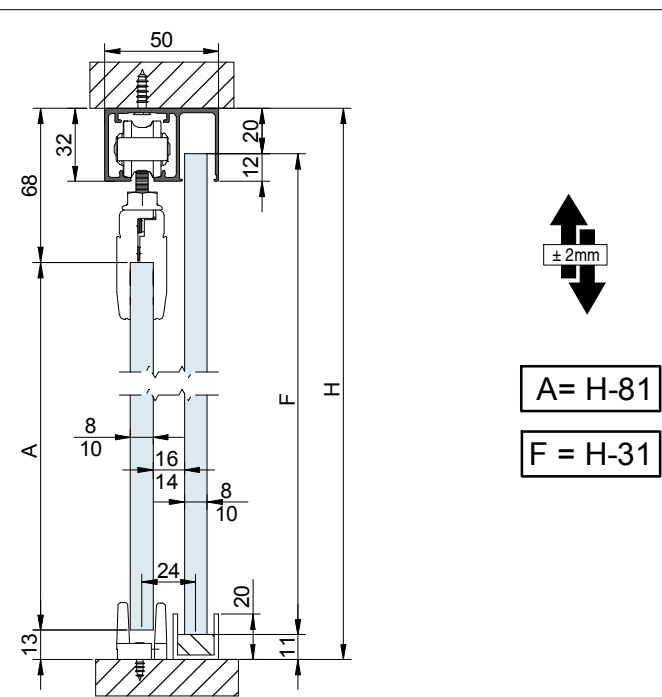
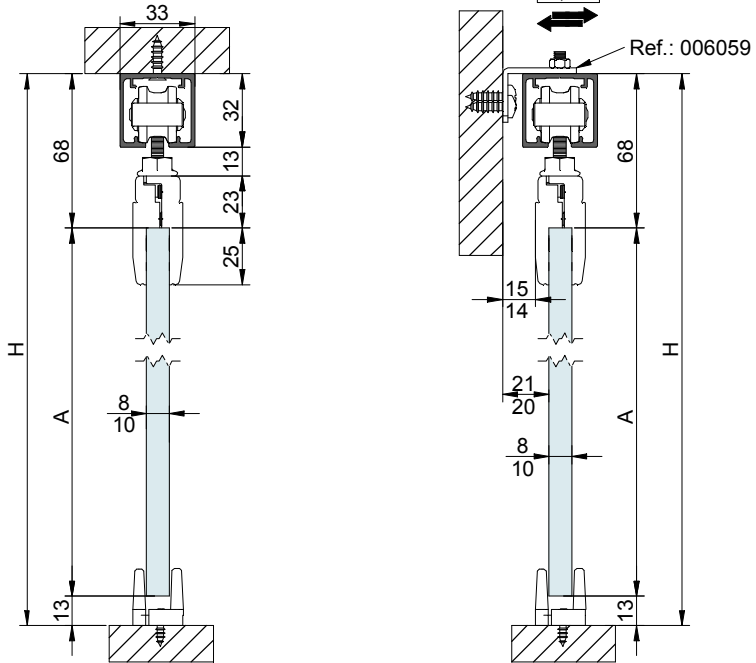
PERFIL STANDARD / Profile Standard / Profil Standard



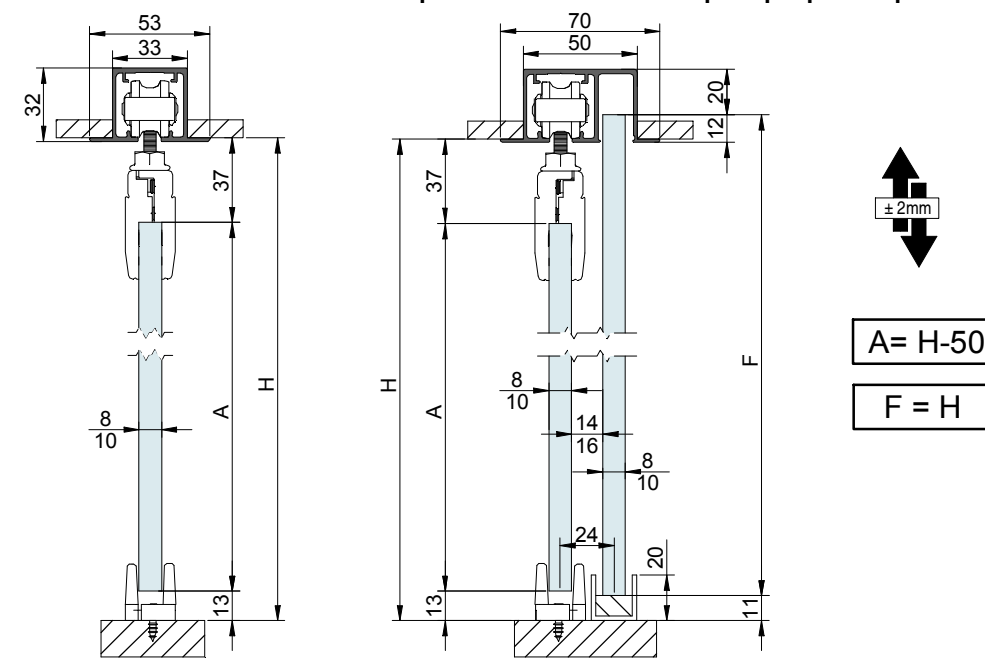
PERFIL EXCELLENCE / Profile Excellence / Profil Excellence



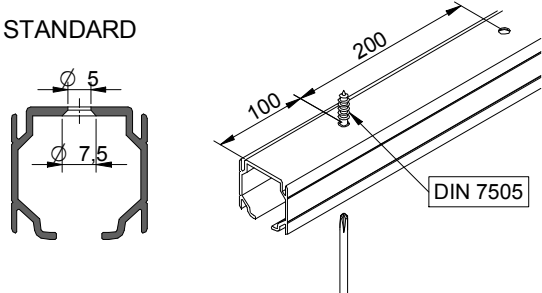
PERFIL STAR / Profile Star / Profil Star

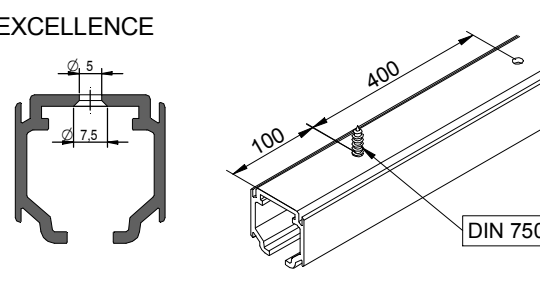


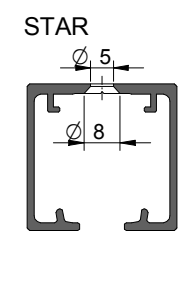
PERFIL STAR FALSO TECHO / Profile Star for plasterboard / Profil Star pour plaques en plâtre

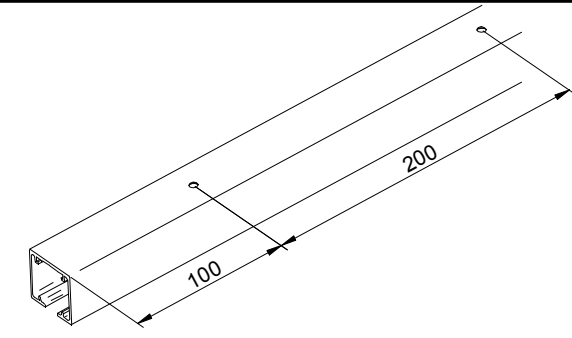


1 MONTAJE A TECHO / Ceiling mount / Fixation à plafond

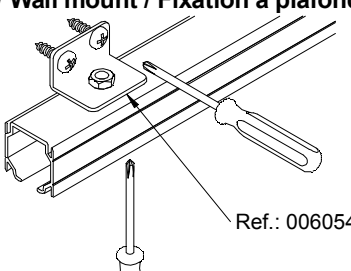
STANDARD


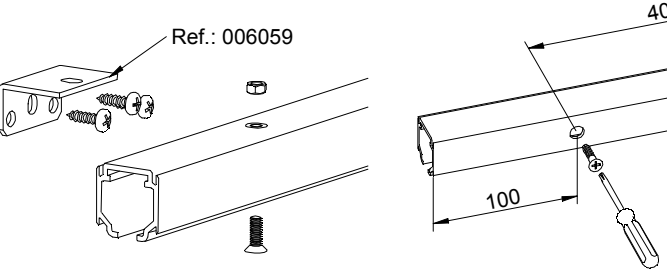
EXCELLENCE


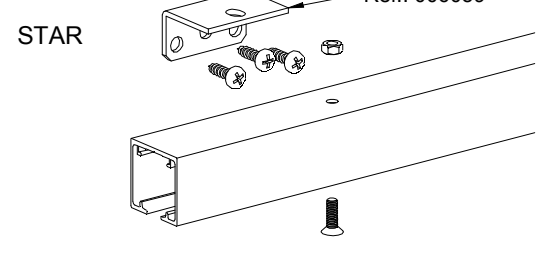
STAR




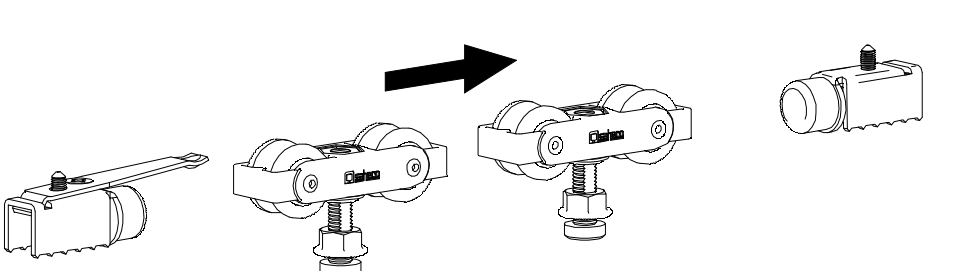
2 MONTAJE A PARED / Wall mount / Fixation à plafond

STANDARD


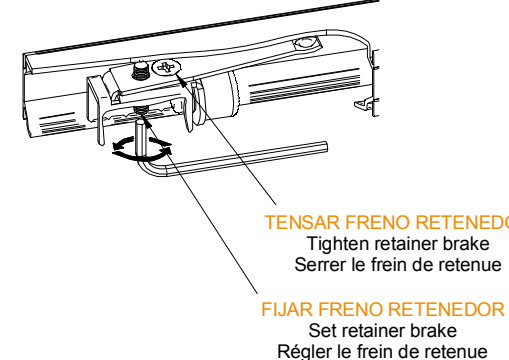
EXCELLENCE


STAR


3 MONTAJE COMPONENTES / Assembly components / Composant d'assemblage



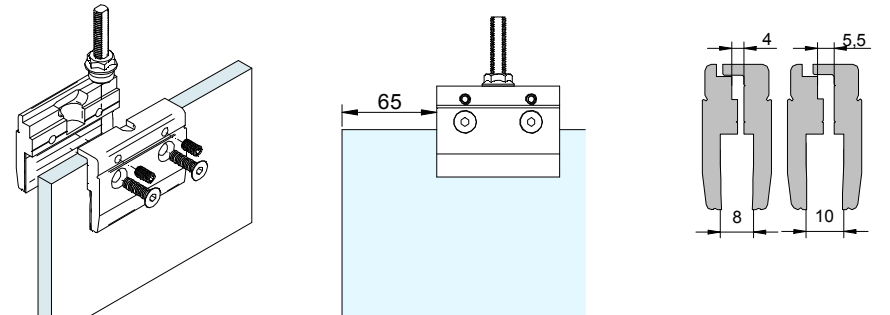
4



TENSAR FRENO RETENEDOR
Tighten retainer brake
Serrer le frein de retenue

FIJAR FRENO RETENEDOR
Set retainer brake
Régler le frein de retenue

5 MONTAJE PINZAS / Calmps assembly / Assemblages pinces

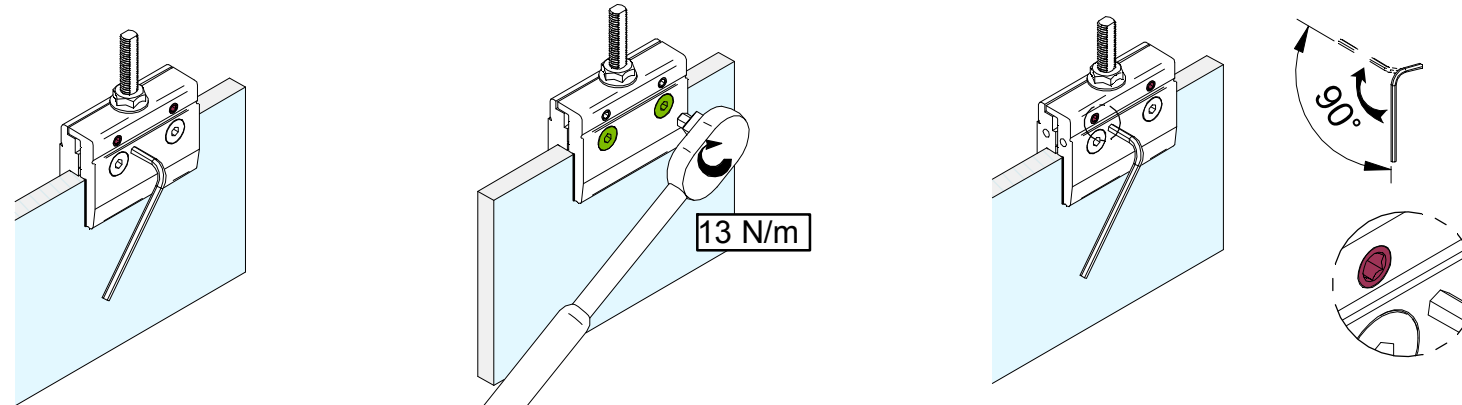


6

PRIMER PASO: AJUSTAR TORNILLOS AJUSTE GROSOR VIDRIO
FIRST STEP: ADJUST GLASS THICKNESS SCREWS

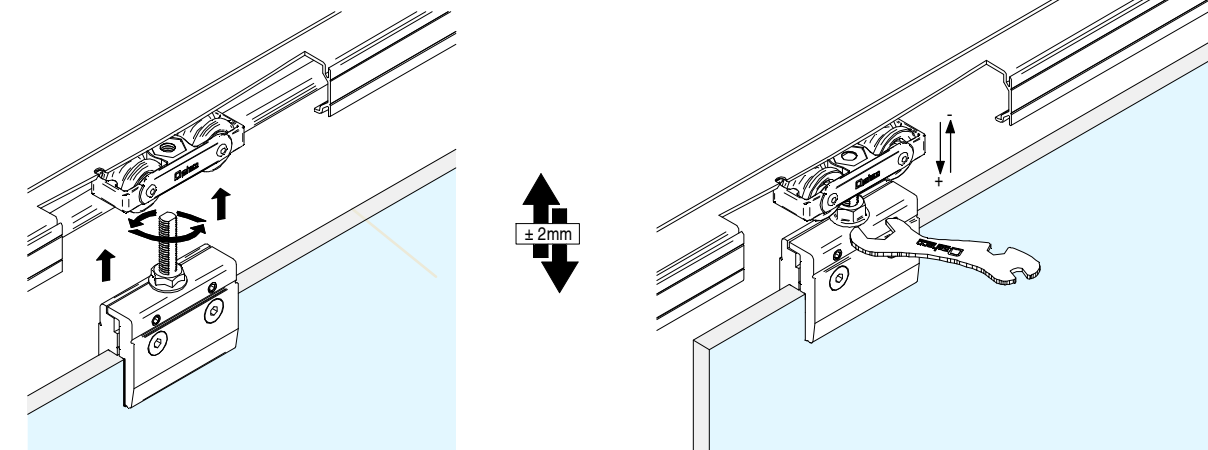
SEGUNDO PASO: APRETAR TORNILLOS APRIETE PINZA
SECOND STEP: STRENGTH CLAMP THIGTHEN SCREWS

TERCER PASO: APRETAR TORNILLOS AJUSTE GROSOR VIDRIO
THIRD STEP: STRENGTH THE GLASS THICKNESS SCREWS



13 N/m

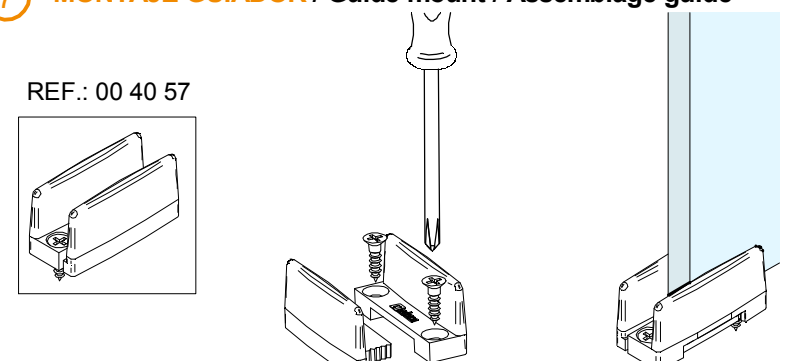
90°



±2mm

7 MONTAJE GUIADOR / Guide mount / Assemblage guide

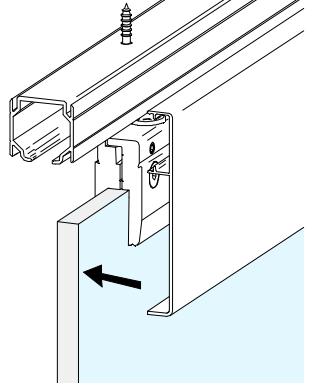
REF.: 00 40 57



8 MONTAJE TAPETA / Pelmet cover mount / Bandeau à clipser sur rail

STANDARD

EXCELLENCE



9 TAPETAS LATERALES / Cover caps / Capuchons finals

CODE: 008074

