

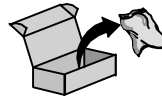


8-10mm.



APRIL - 2015

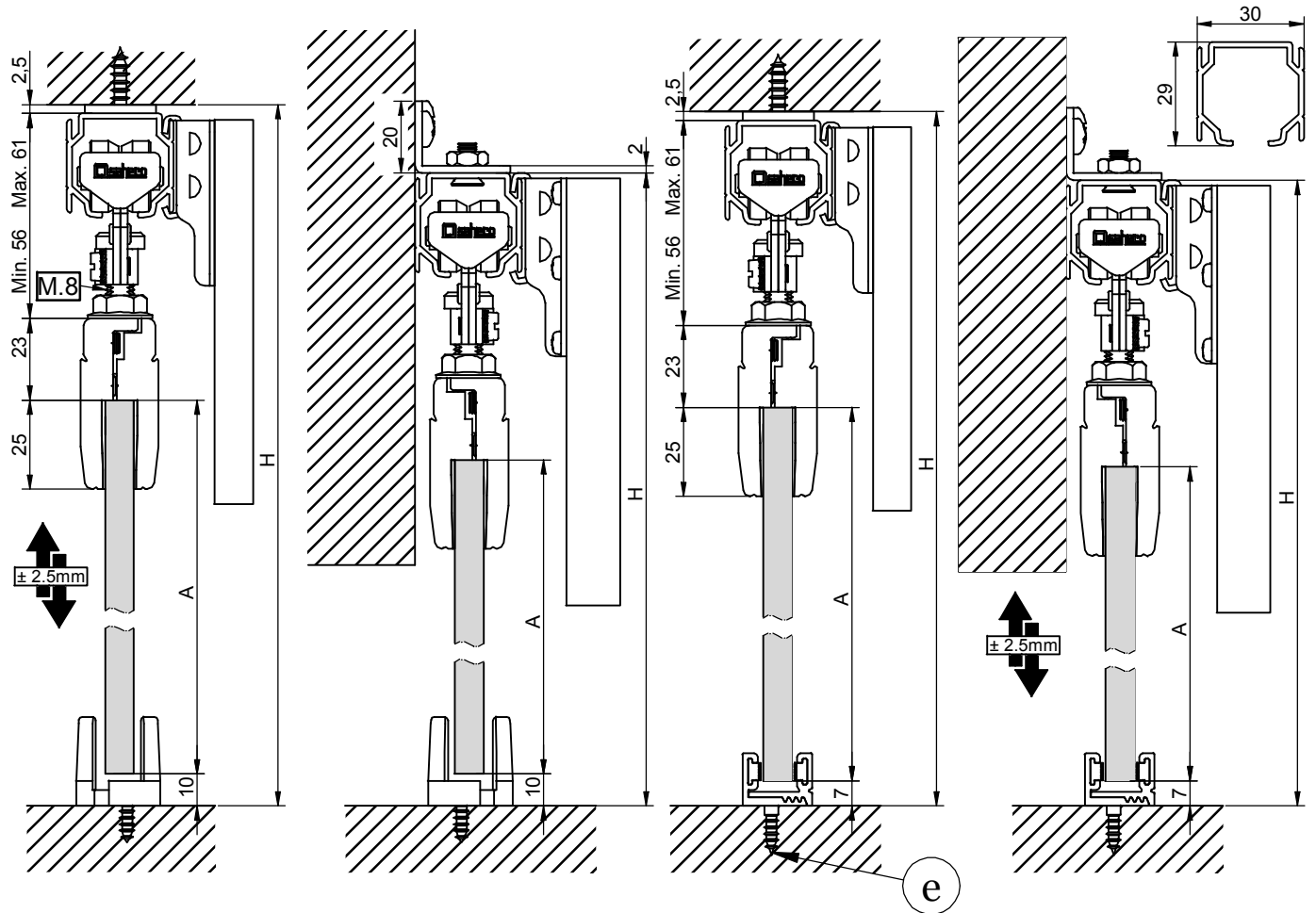
038060286



REF. 007601 / 007607

| | | |
|-----|--|---|
| (a) | | 2 |
| (b) | | 2 |
| (c) | | 2 |
| (d) | | 1 |

| | | |
|-----|--|---|
| (e) | | 1 |
| (f) | | 2 |
| (g) | | 1 |
| (h) | | 2 |



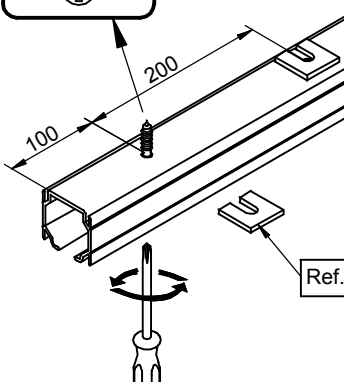
A= H-94

A= H-94

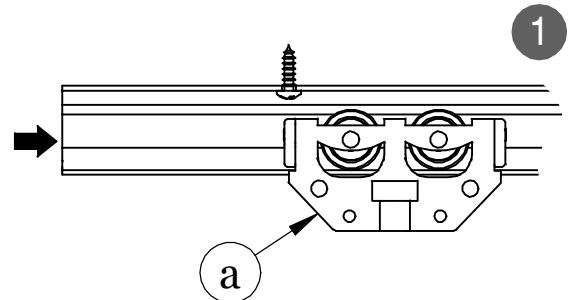
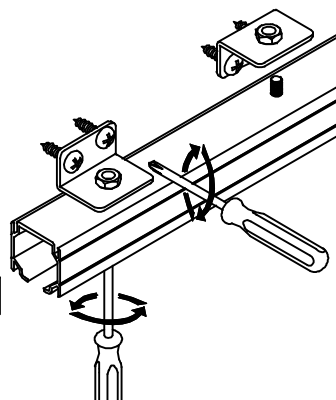
A= H-91

A= H-91

DIN 7505 (PZ)



Ref. 00 60 61



1

