

saheco **SF-A90**

2 SOFTBRAKE SMPLE
P. ROLLER

Poligono Industrial Foradada - 08580 - Sant Quirze de Besora (Barcelona)
Telf. 34-93.852.92.23
Export. Telf. 34-93.852.96.15
e-mail: saheco@saheco.com - web: www.saheco.com

MADE IN E.U.

**GRUPO
TORREMAT**



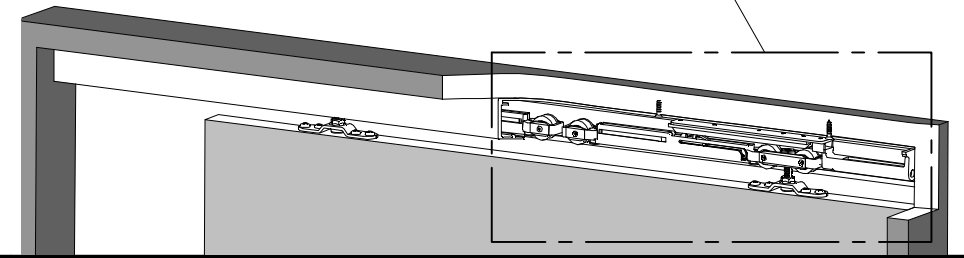
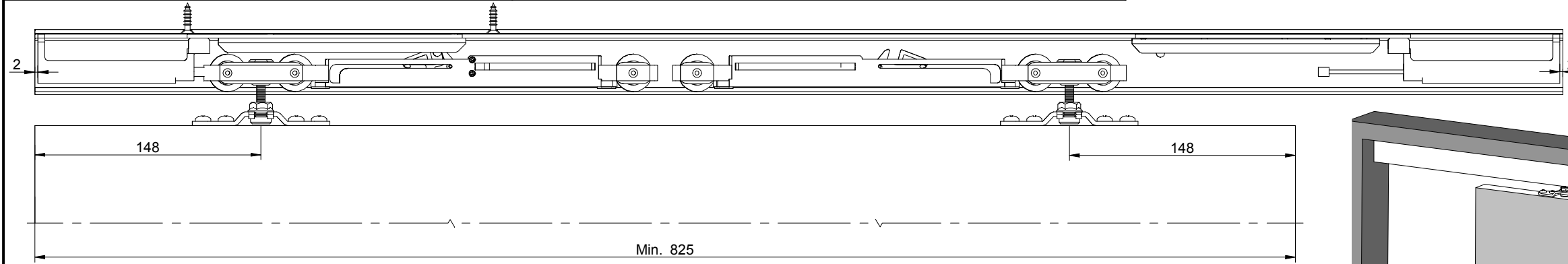
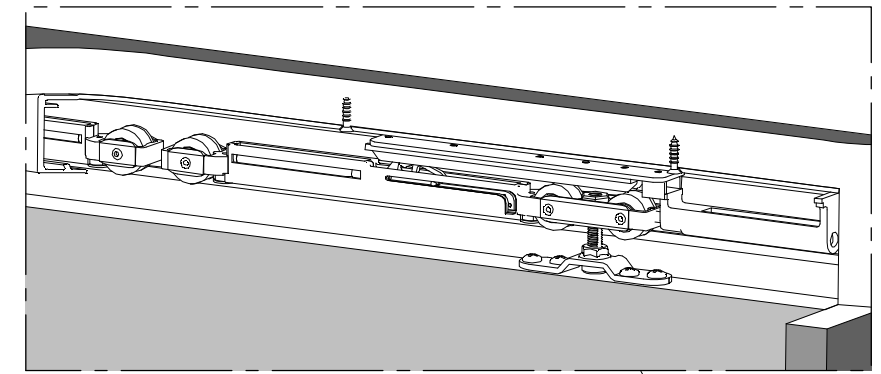
OCT. 2018

038060671

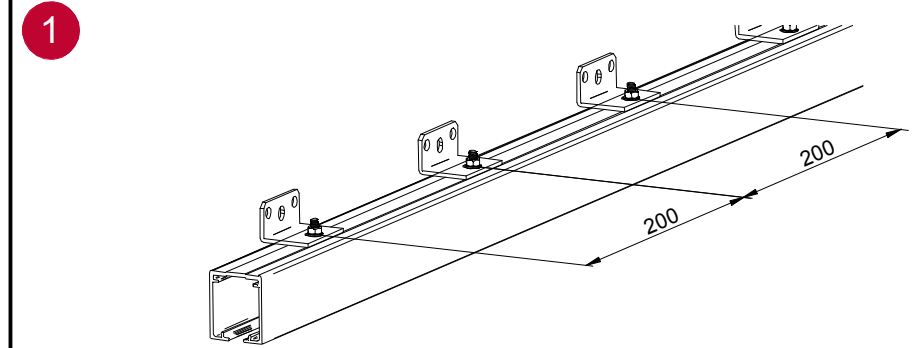


CODE: 098083

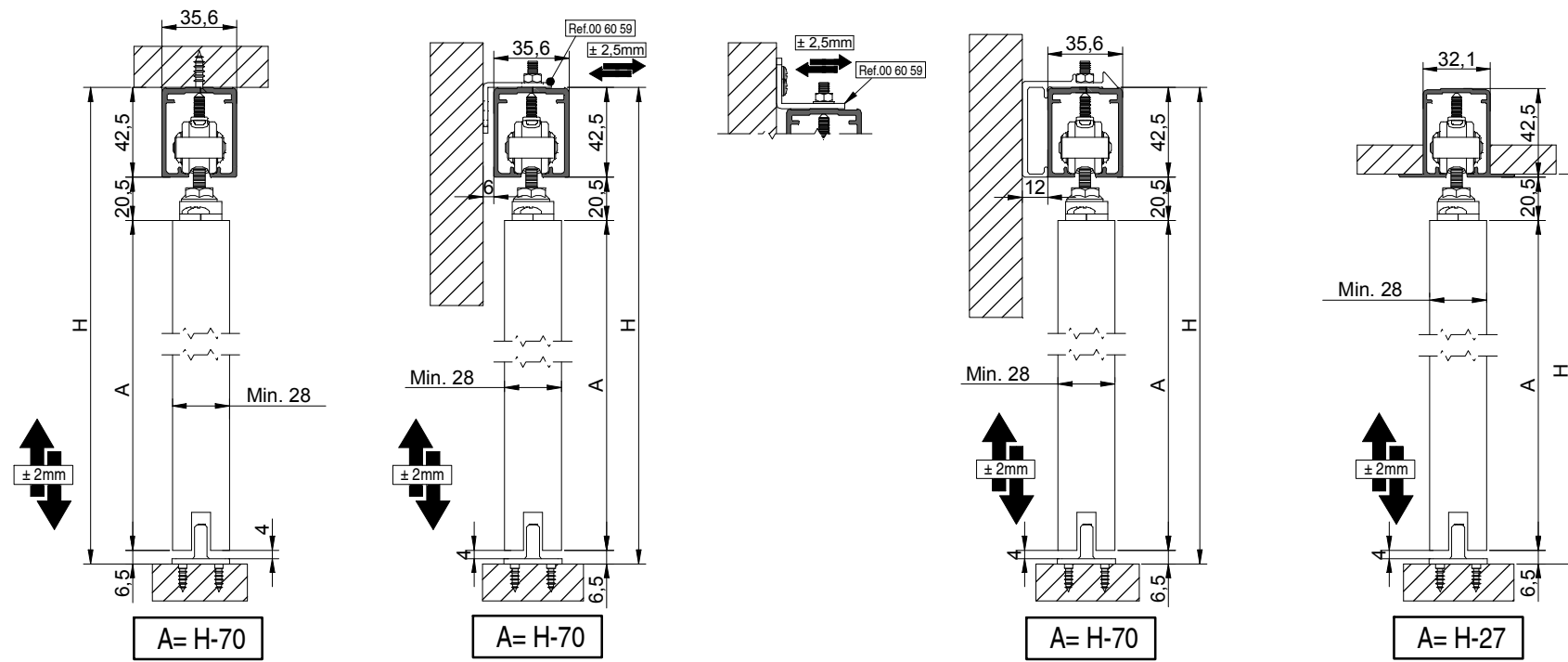
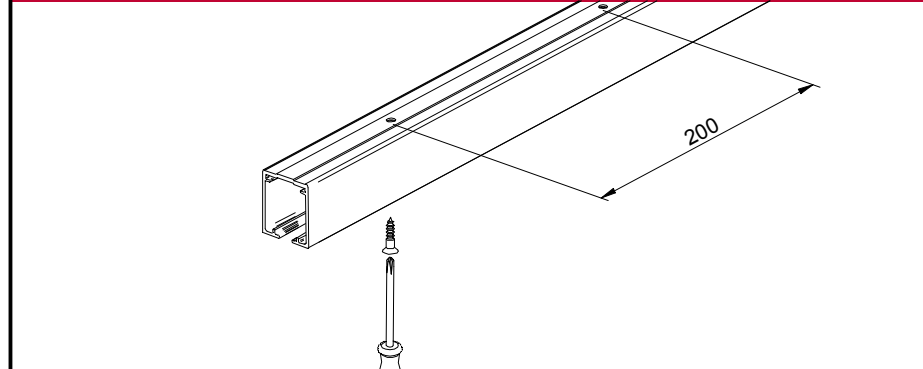
a		2	c		1	f		2
b		8	d		4	g		2
DIN 7505 B 5X25			DIN 7505 A 4x20					
			e		1			



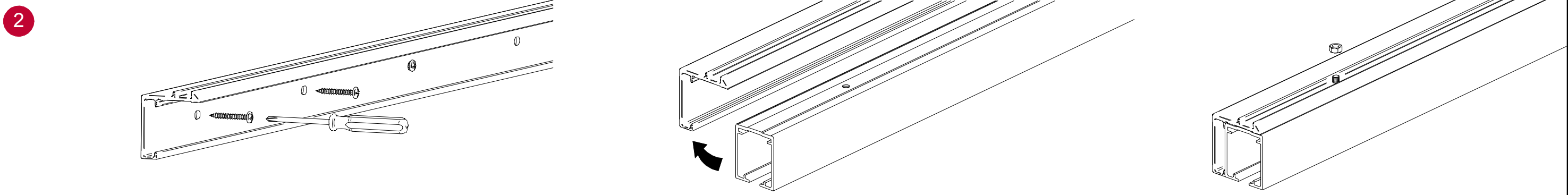
MONTAJE A PARED / Wall mount / Fixation à mur



MONTAJE A TECHO / Ceiling mount / Fixation à plafond

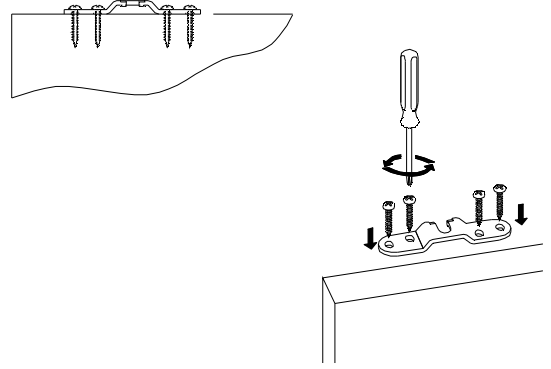


MONTAJE A PARED + PERFIL SEPARADOR / Wall mount + full width side fixing profile / Fixation à plafond + profil séparateur

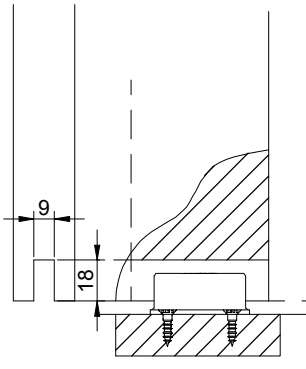


MONTAJE COMPONENTES / Assembly components /
Composant d'assemblage

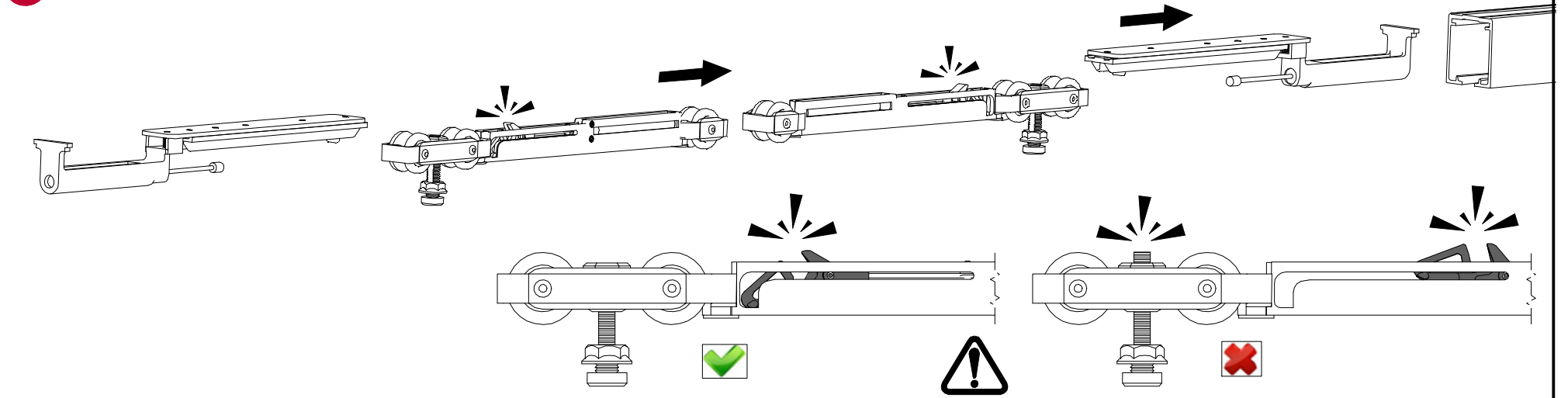
4



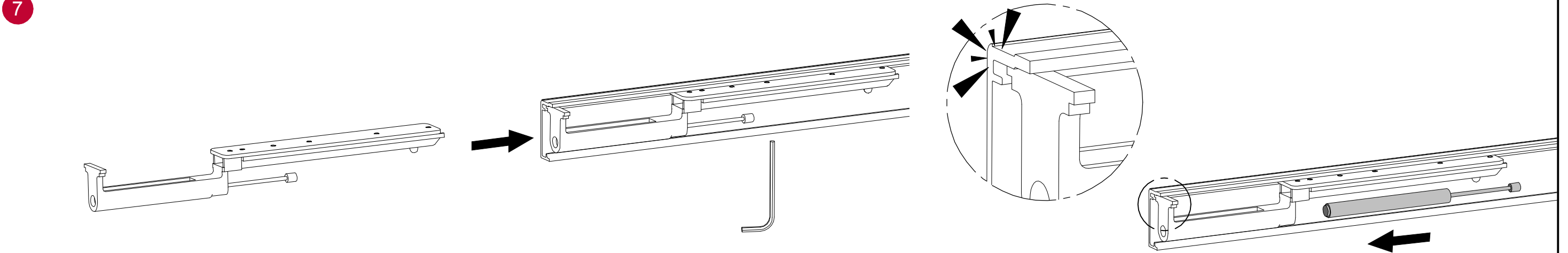
5



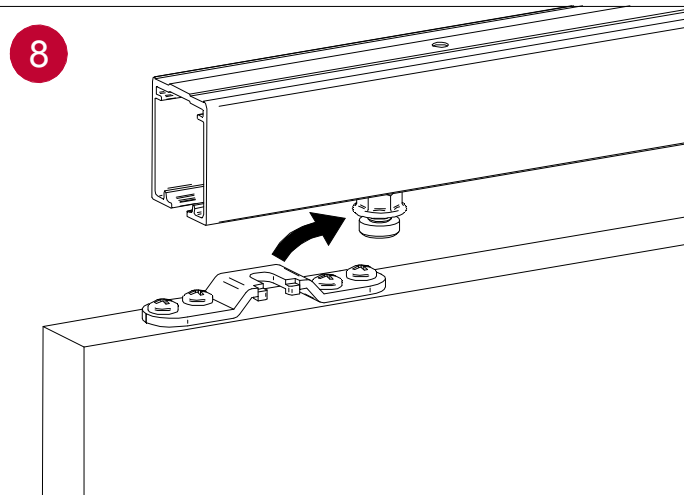
6



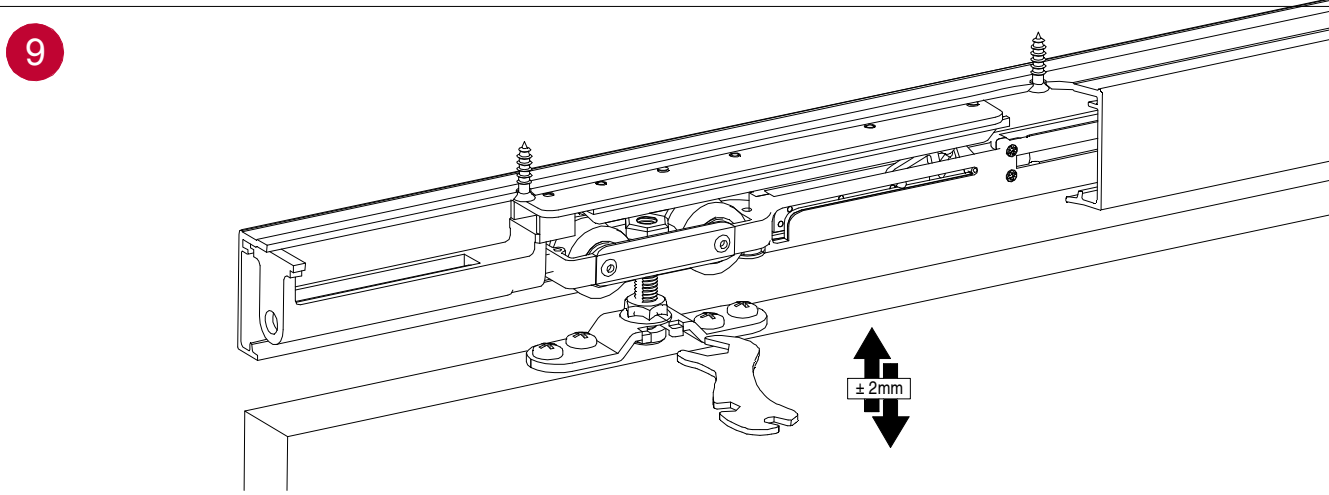
7



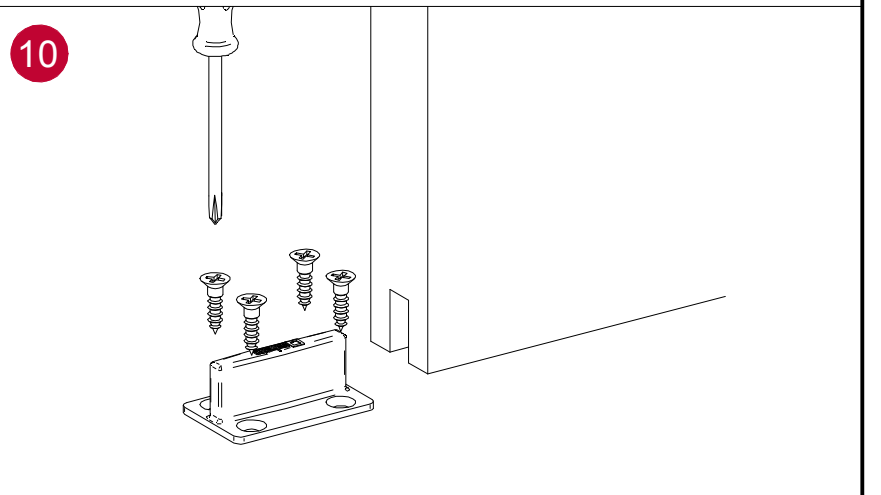
8



9

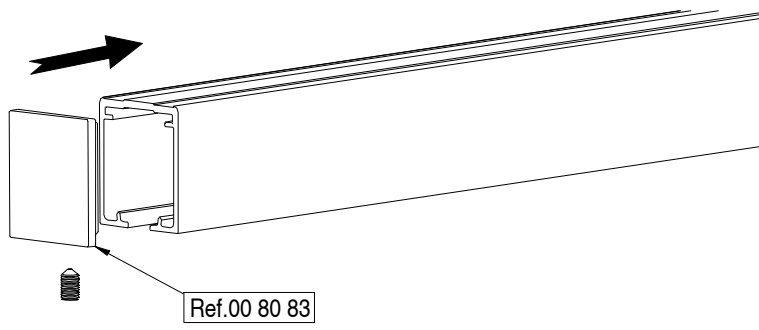


10



TAPETAS LATERALES / Cover caps /
Capuchons finals

11



12

