

BOXKEL OPTIMO POCKET DOOR

by Saheco

Poligono Industrial Foradada - 08580 - Sant Quirze de Besora (Barcelona)
 Telf. 34-93.852.92.23
 Export. Telf. 34-93.852.96.15
 e-mail: saheco@saheco.com - web: www.saheco.com

MADE IN E.U.



OPTIMO
Installation video



MARCH 2023

038060820

CODE: 99692111, 99692112, 99692113, 99692114, 99692115
 99692116, 99692117, 99692118, 99692119, 99692120

LIST OF CONTENTS

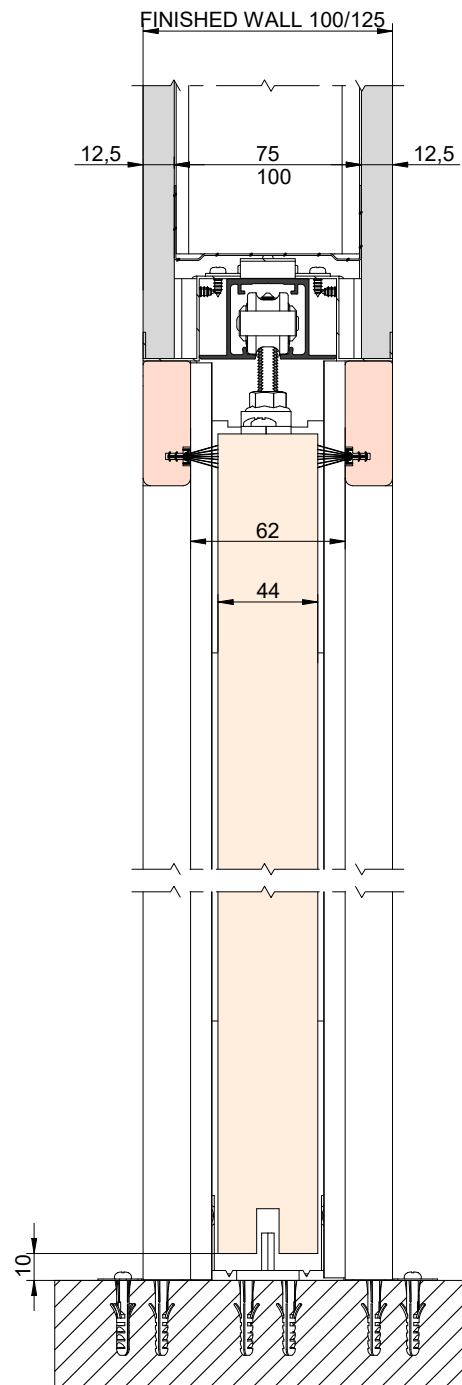
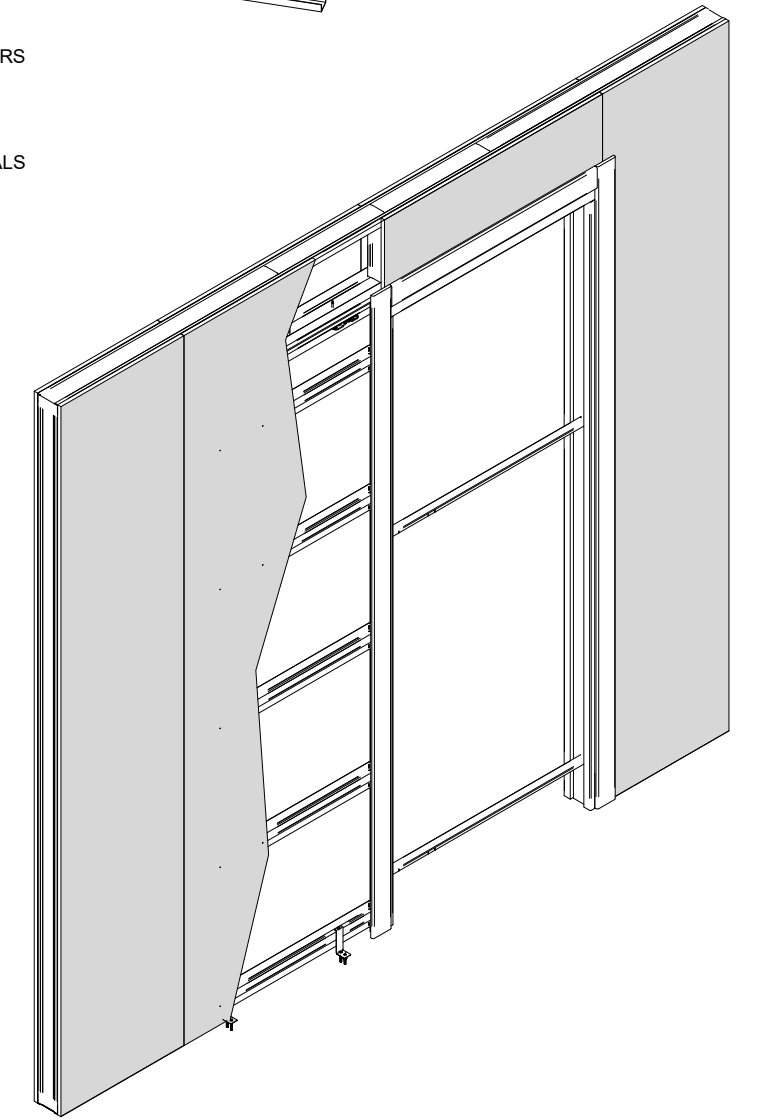
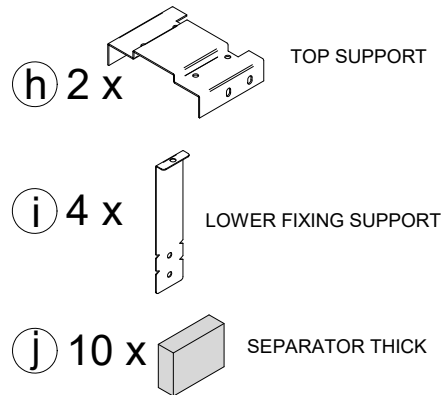
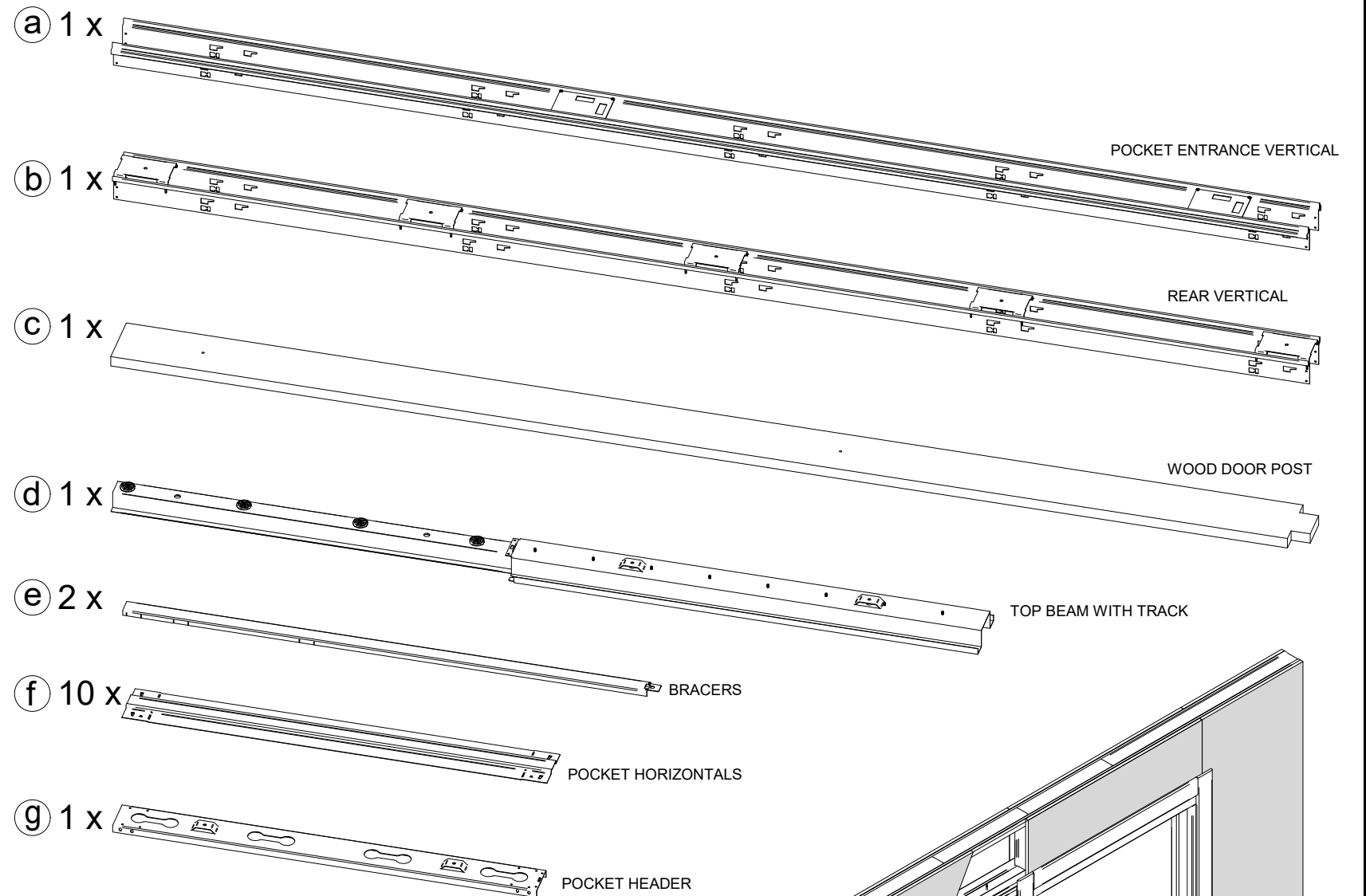
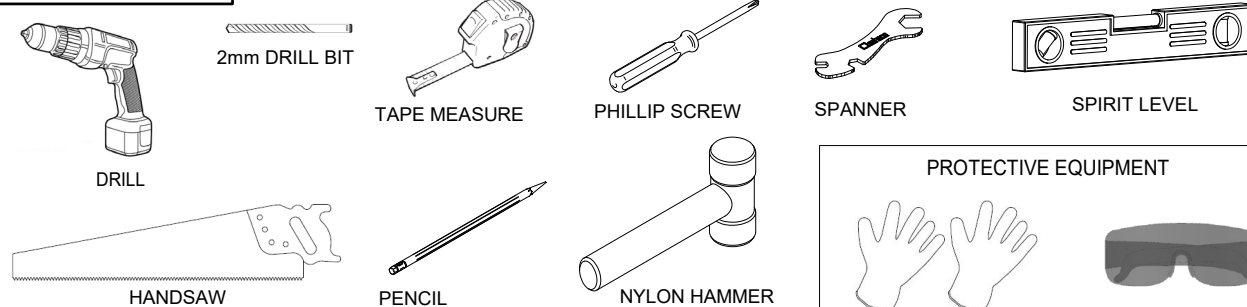
u		2 no.
t		2 no.
s	 DIN 7505 B 5X25	8 no.
r		2 no.
p		1 no.
w		2 no.
v		2 no.
x		2 no.
y	 DIN 7505 A 3.5x30	2 no.
z		1 no.

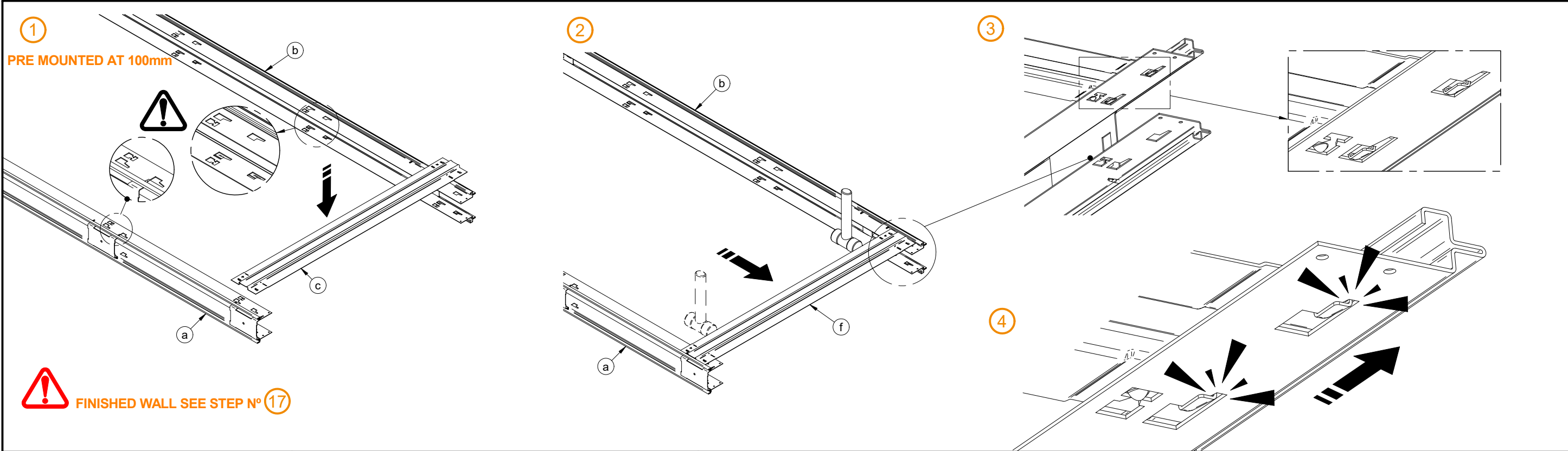
OPTIONAL SOFTCLOSE

CODE: 99692127

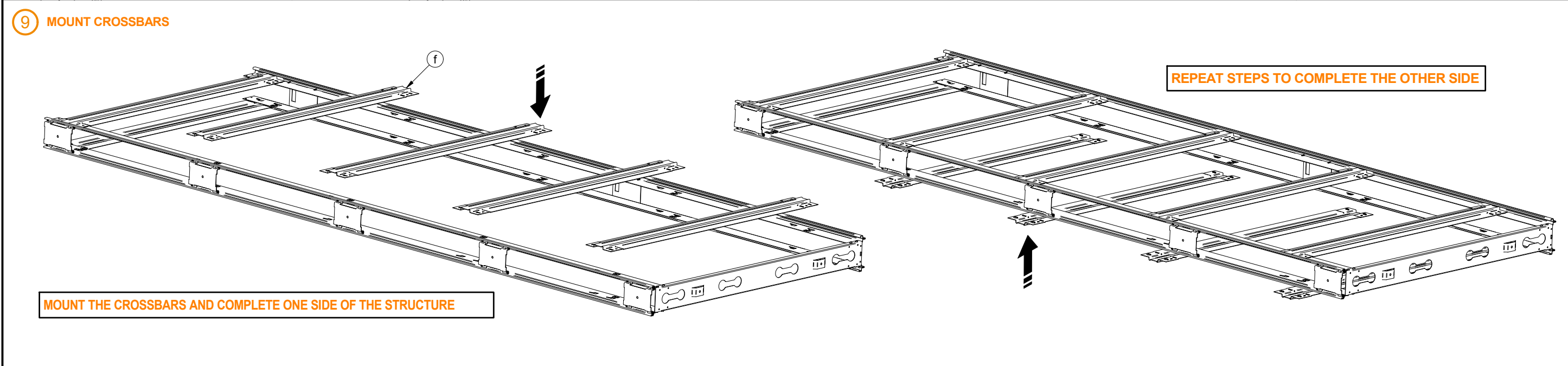
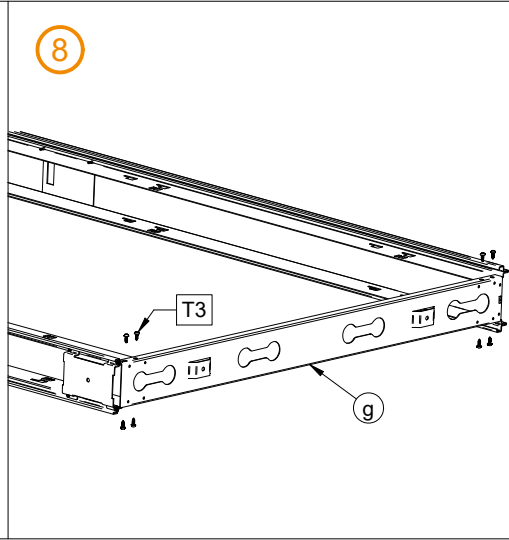
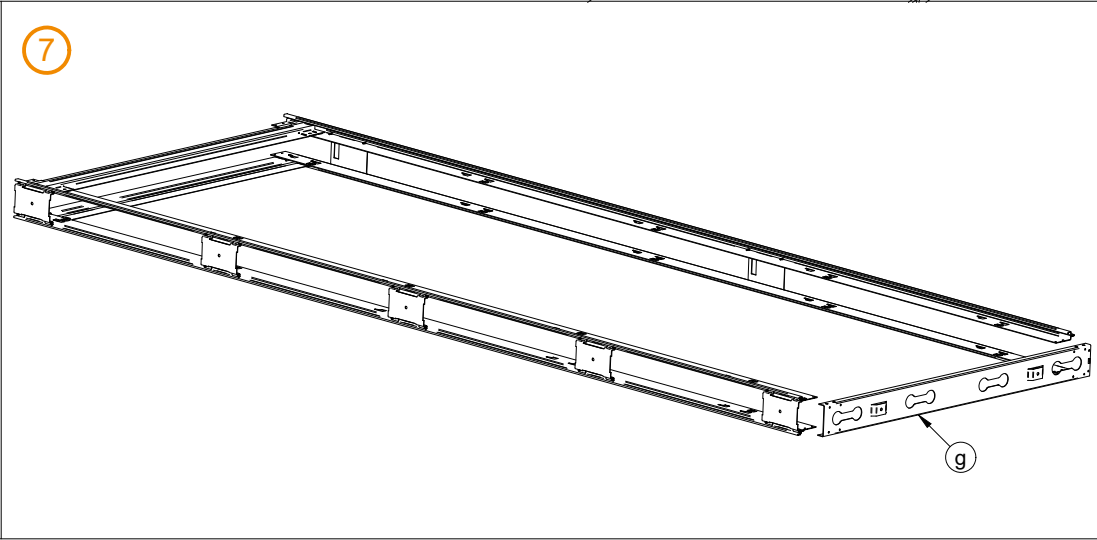
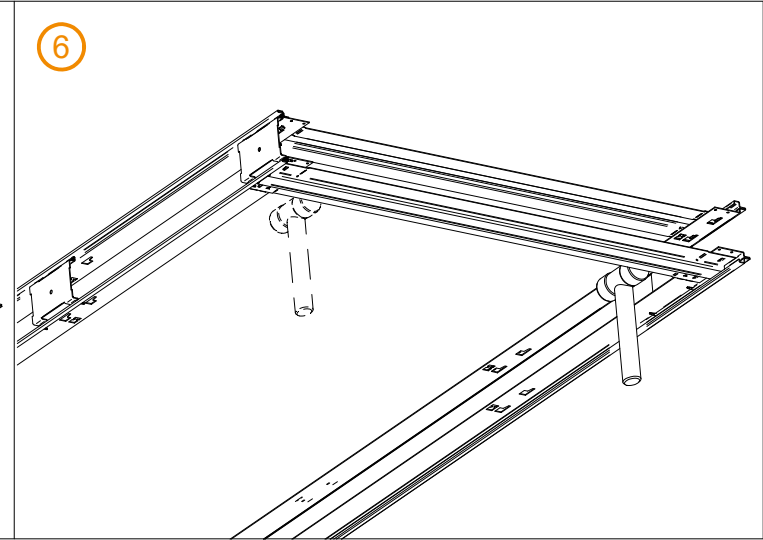
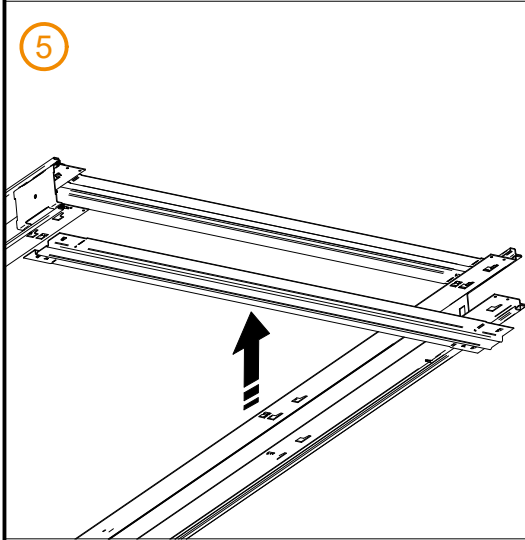
FIXINGS INCLUDED	
	T1 N°6 (x10)
	T2 DIN 7505-B 4x40 (x2)
	T3 DIN 7981 3,5x9,5 (x22)
	T4 DIN 7505 5,5x20 (x2)
	T5 DIN 7981 3,5x22 (x8)
	T6 DIN 7504 N 4,2x22 (x2)

TOOLS REQUIRED

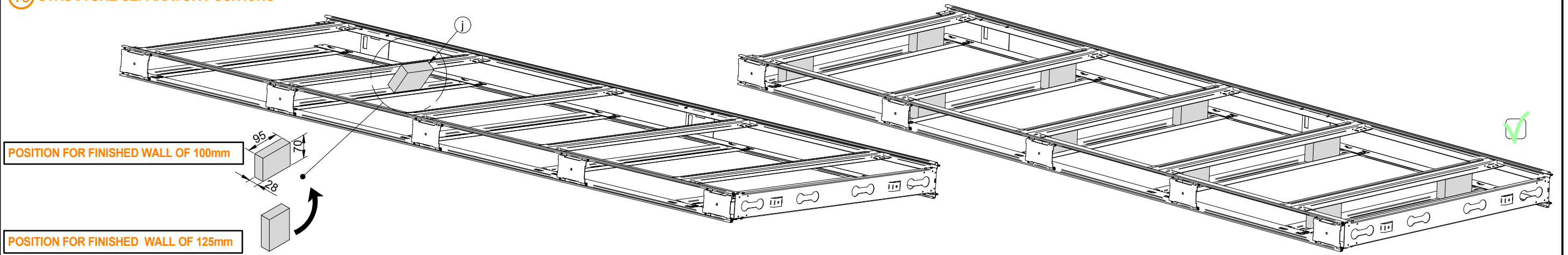




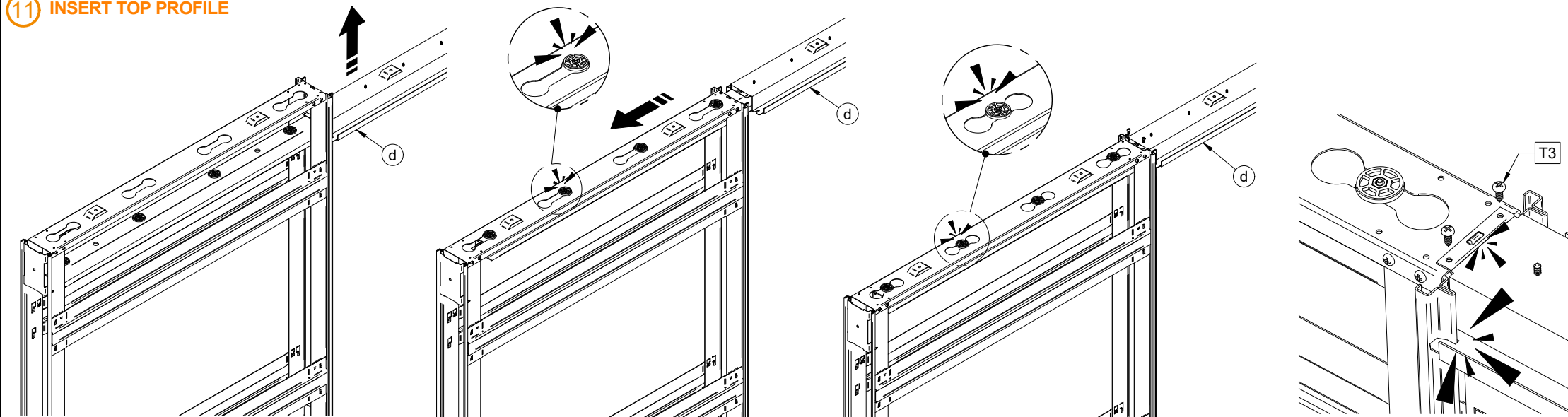
 FINISHED WALL SEE STEP N° 17



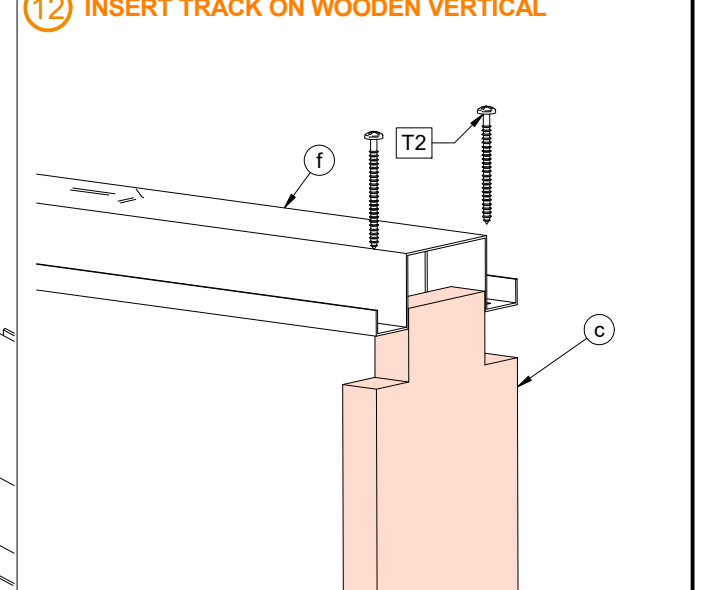
10 STRUCTURE SEPARATOR POSITIONS



11 INSERT TOP PROFILE



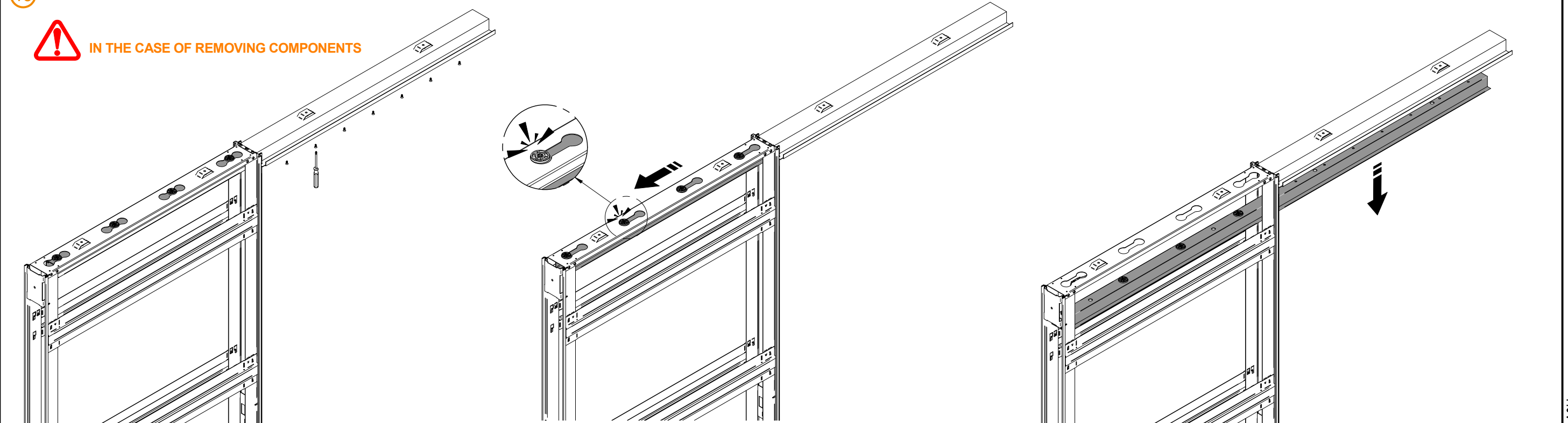
12 INSERT TRACK ON WOODEN VERTICAL



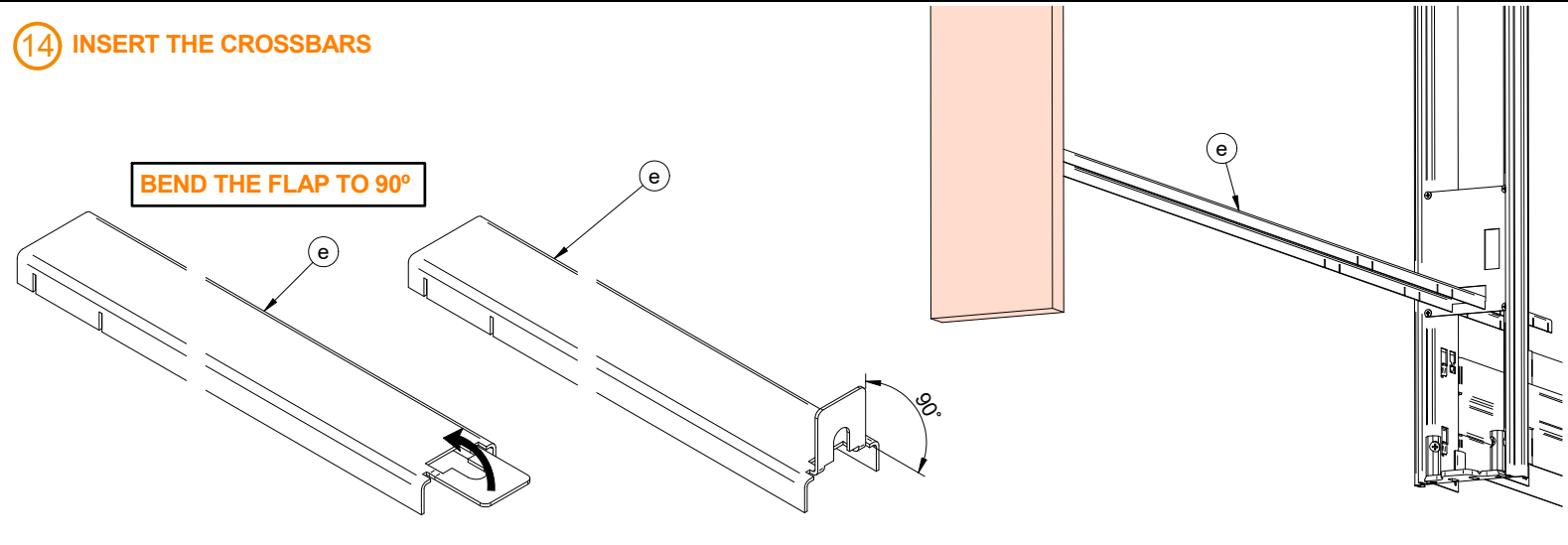
13 REMOVE GUIDE PROFILE



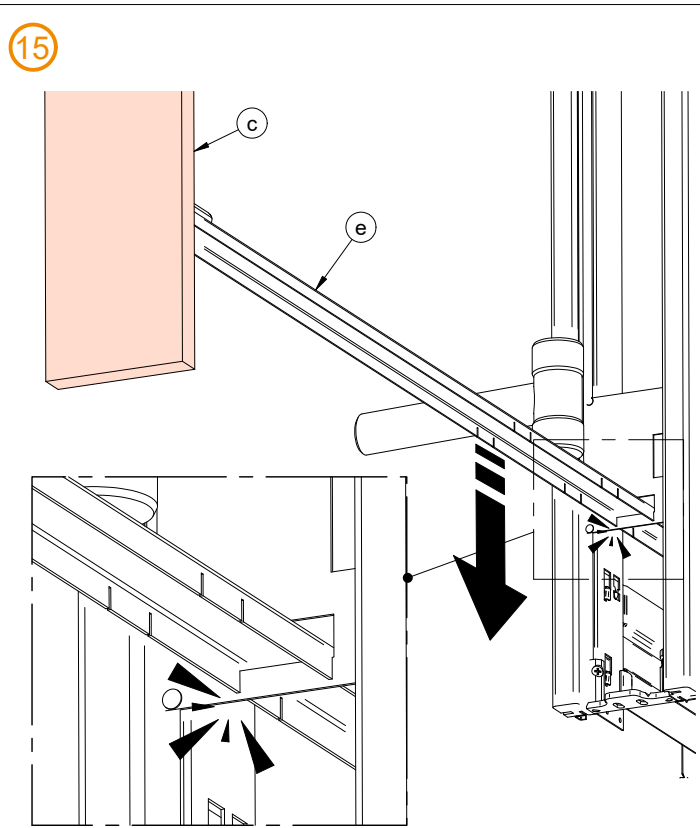
IN THE CASE OF REMOVING COMPONENTS



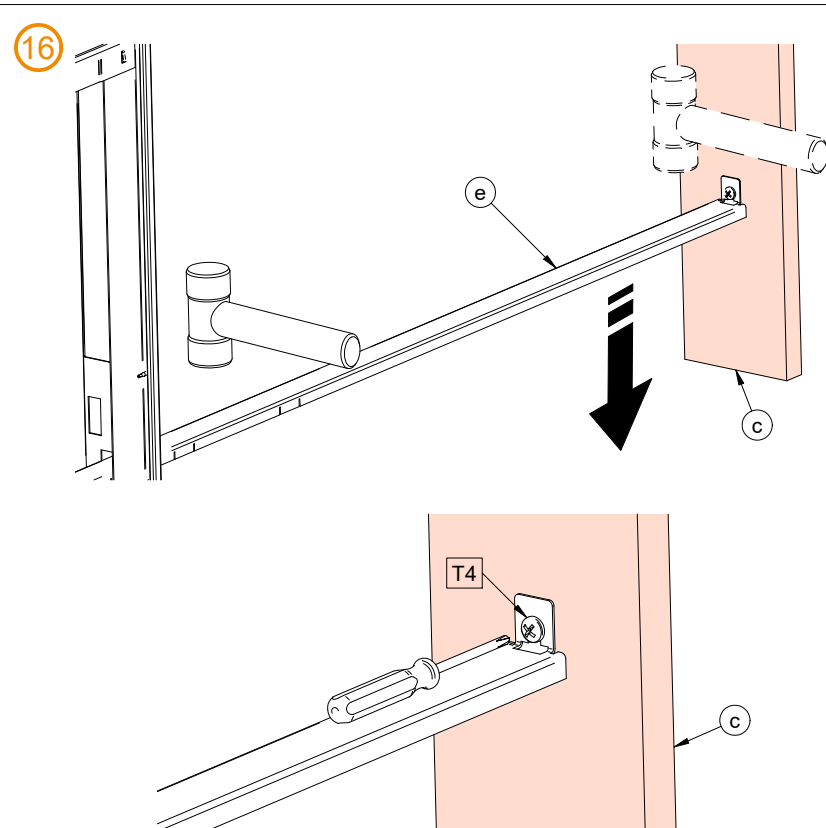
14 INSERT THE CROSSBARS



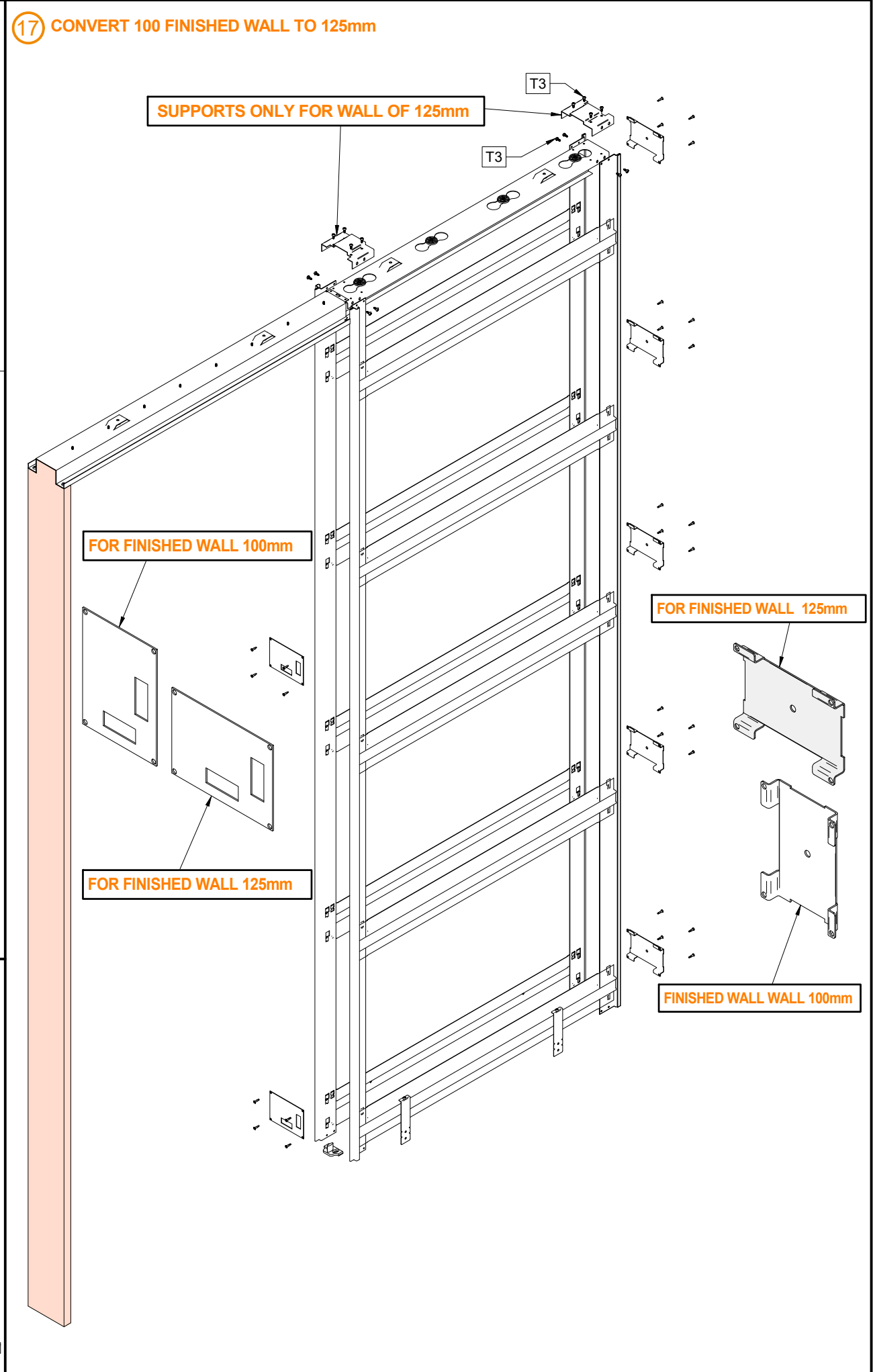
15



16



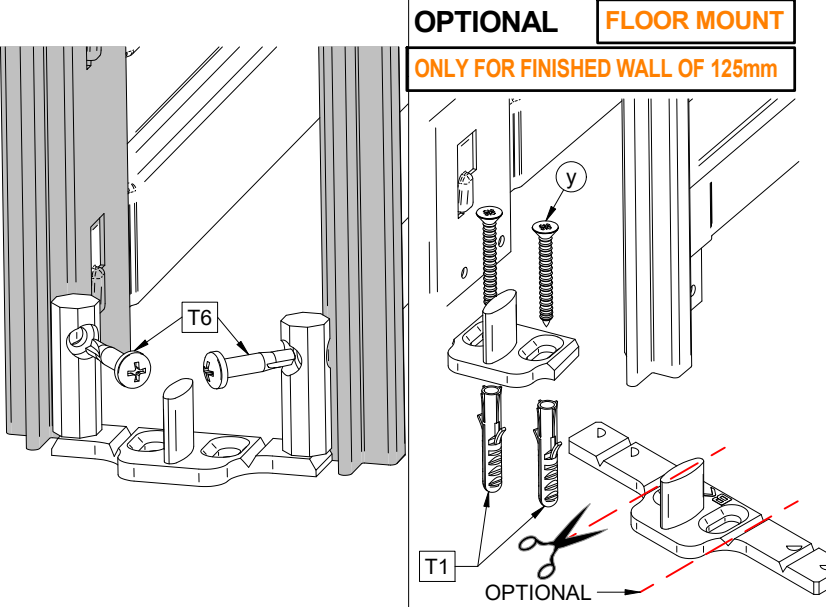
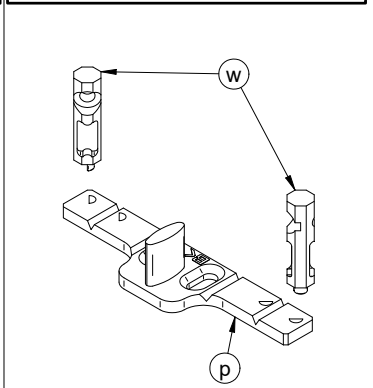
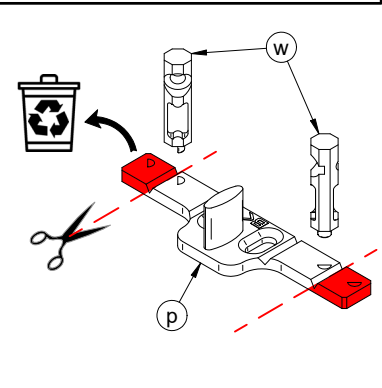
17 CONVERT 100 FINISHED WALL TO 125mm



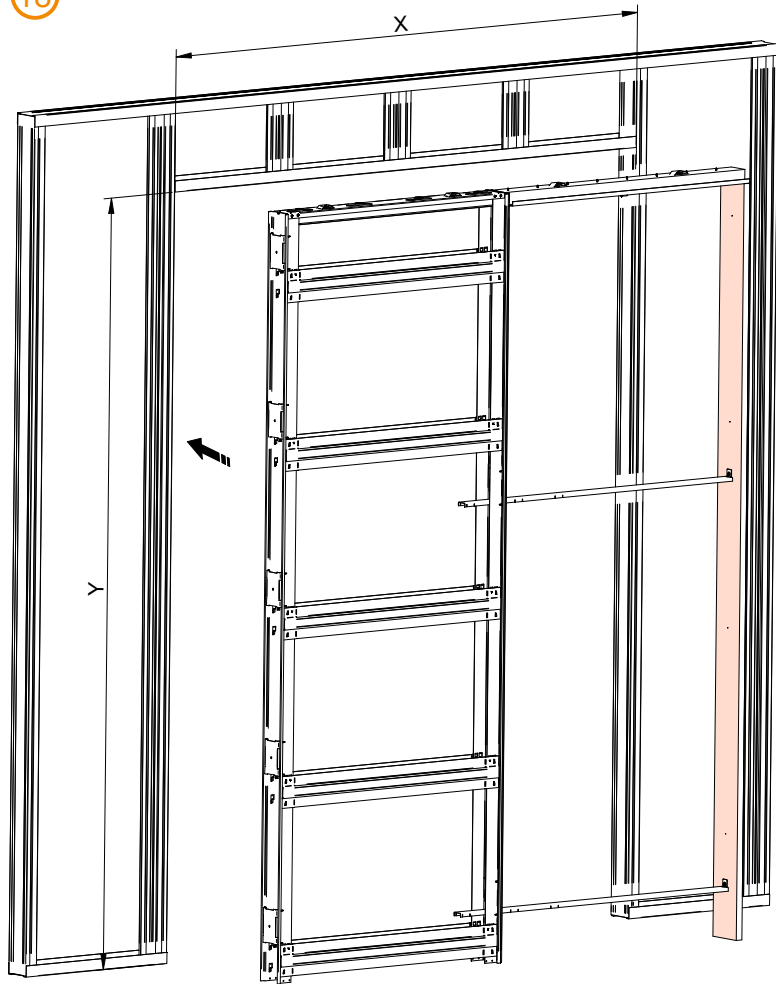
17 MOUNT BOTTOM GUIDE TO THE STRUCTURE

FOR FINISHED WALL OF 100mm

FOR FINISHED WALL OF 125mm



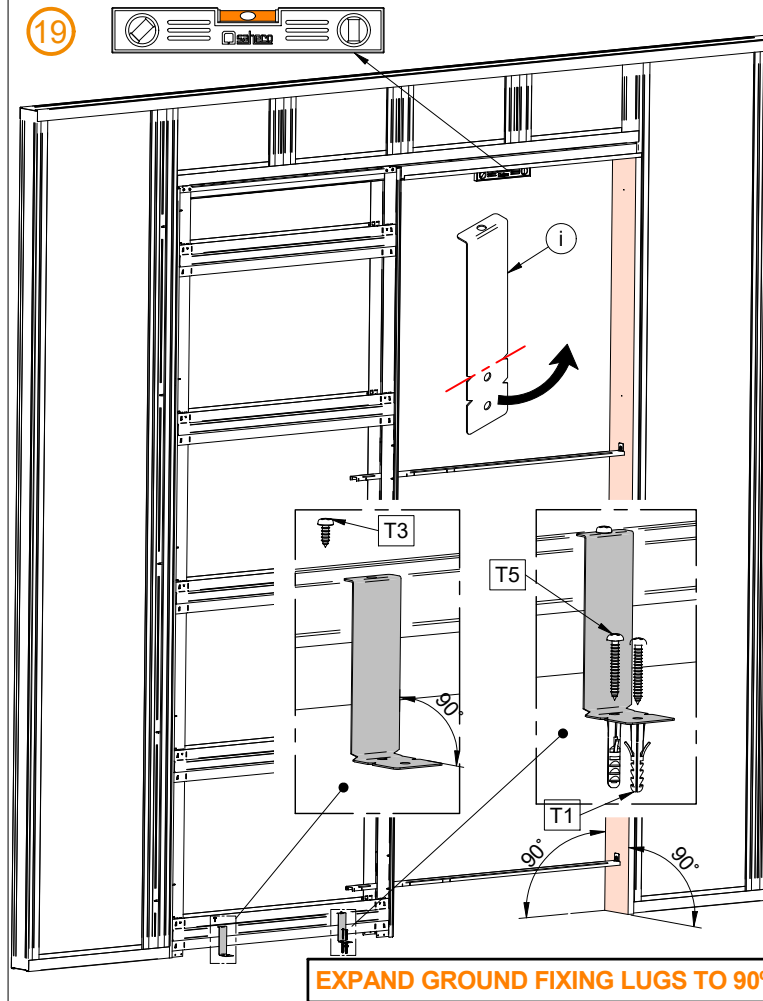
18



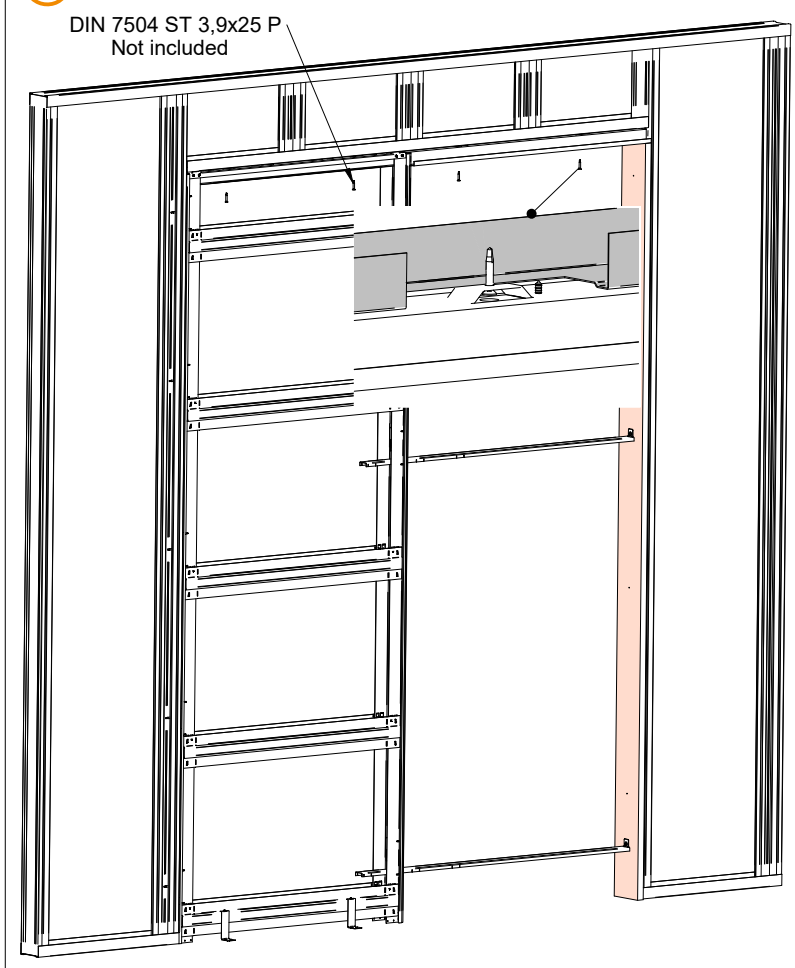
ROUGH OPENING

CODE	WIDTH (X)	HEIGHT
99692111	1284	2127
99692112	1484	2127
99692113	1684	2127
99692114	1884	2127
99692115	2084	2127
99692116	1252	2068
99692117	1404	2068
99692118	1556	2068
99692119	1708	2068
99692120	1860	2068

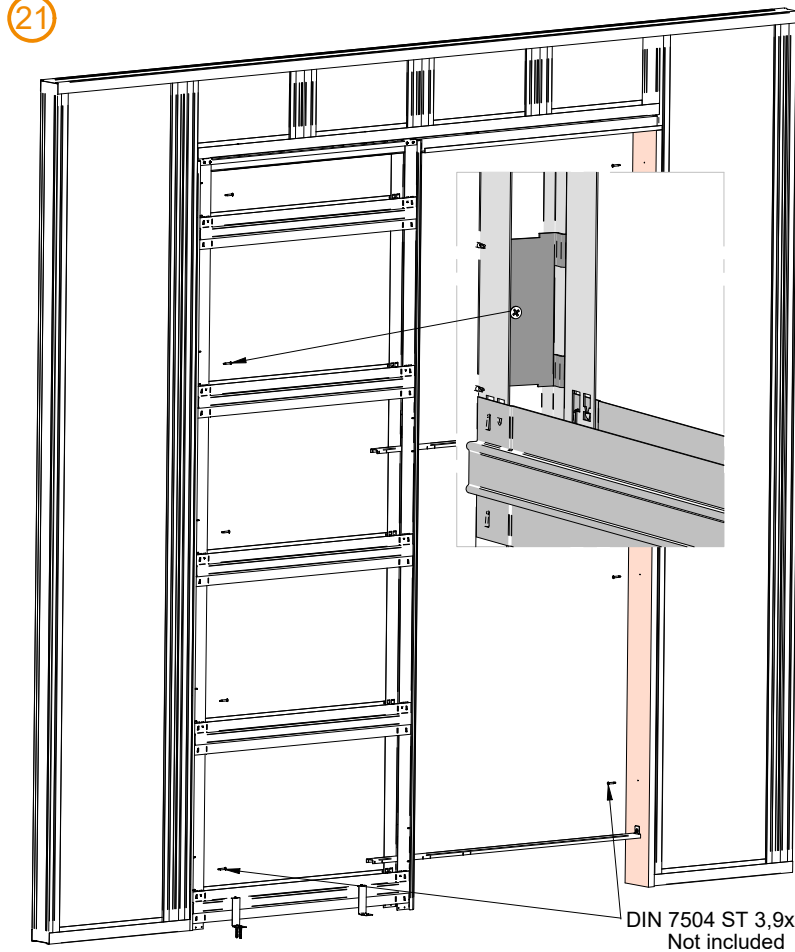
19



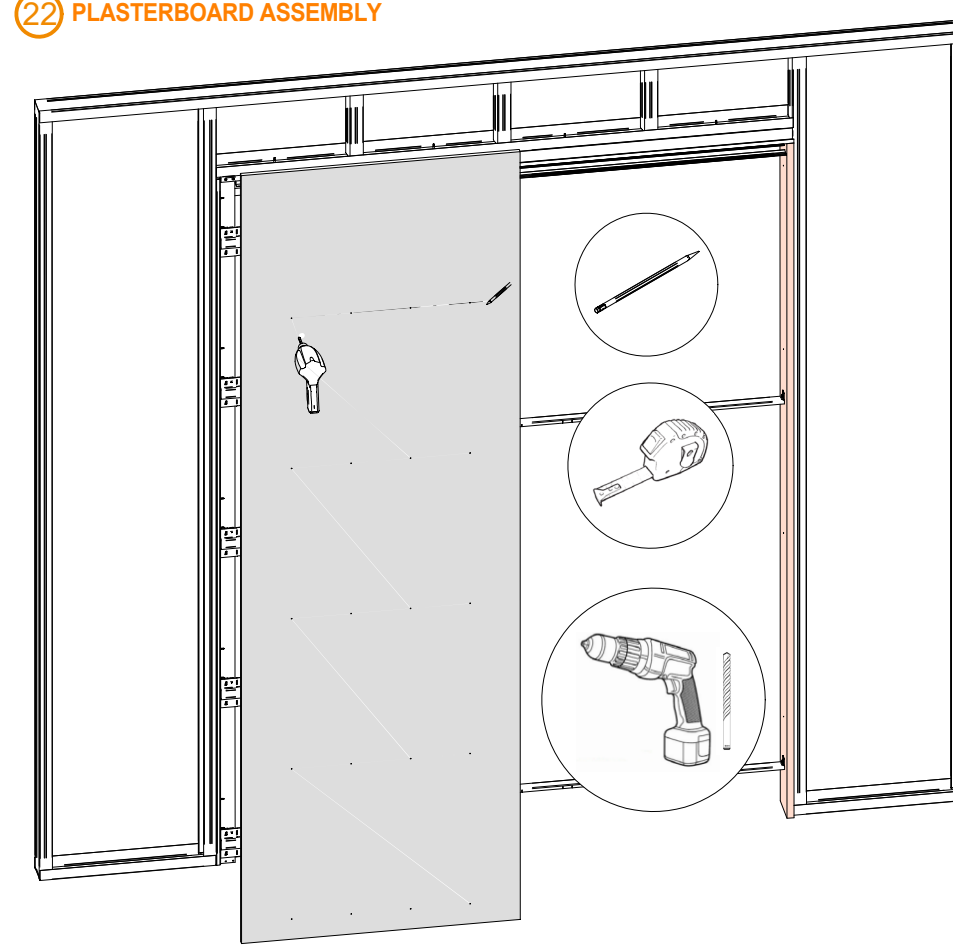
20



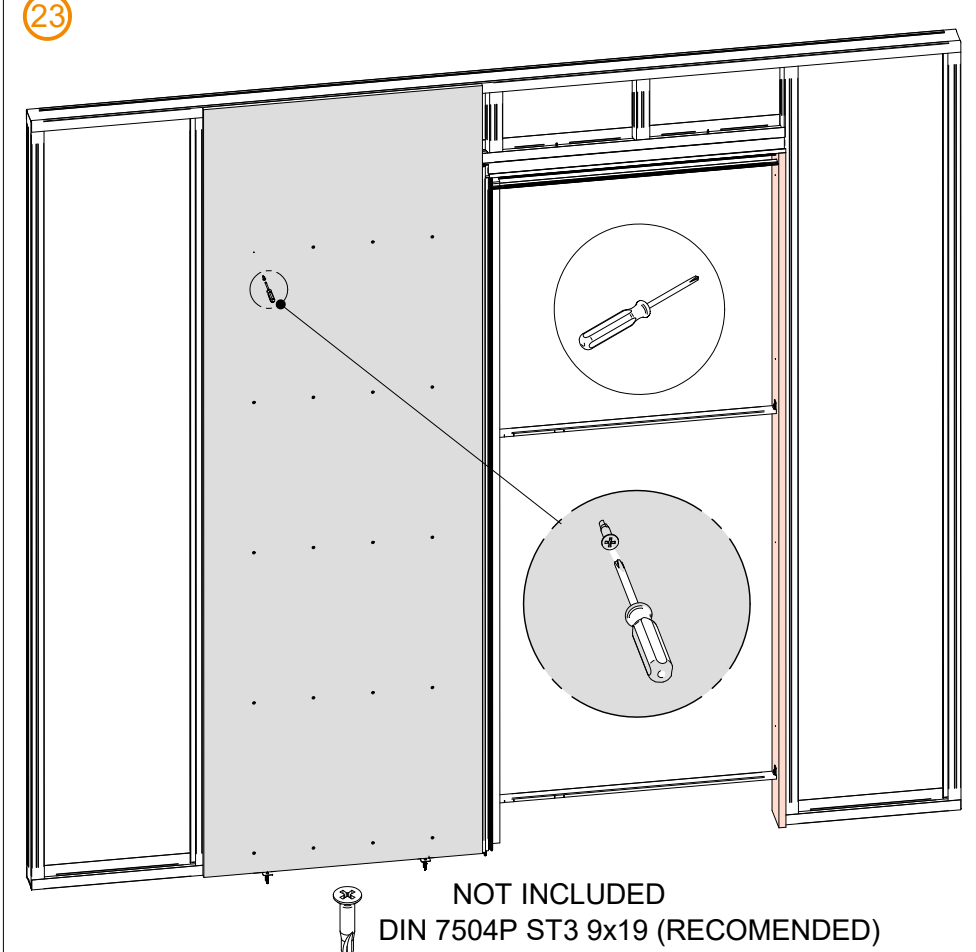
21



22 PLASTERBOARD ASSEMBLY



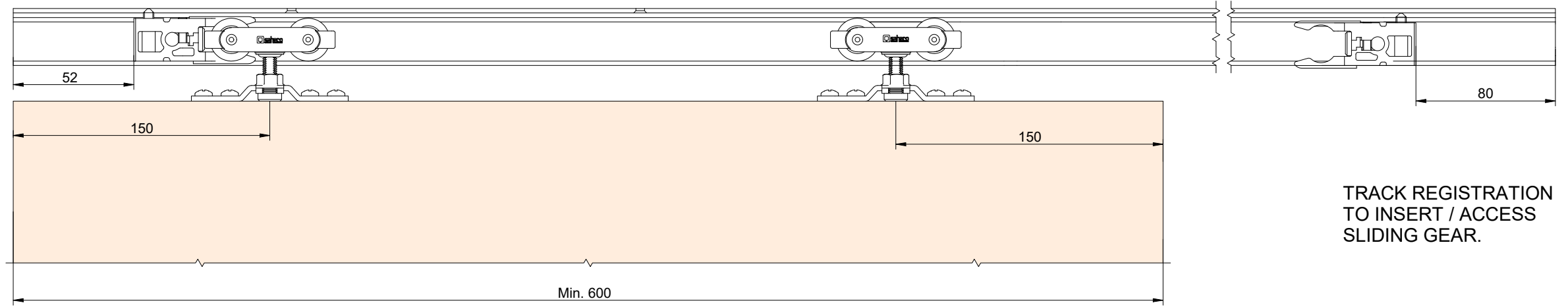
23



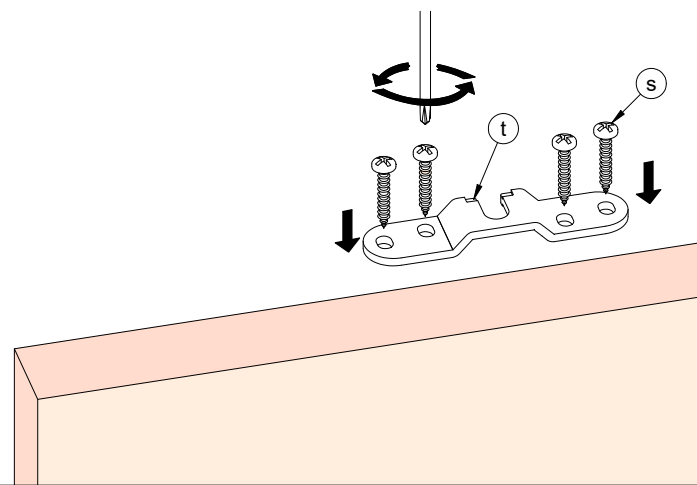
ASSEMBLY OF DOOR COMPONENTS

STANDARD STOP

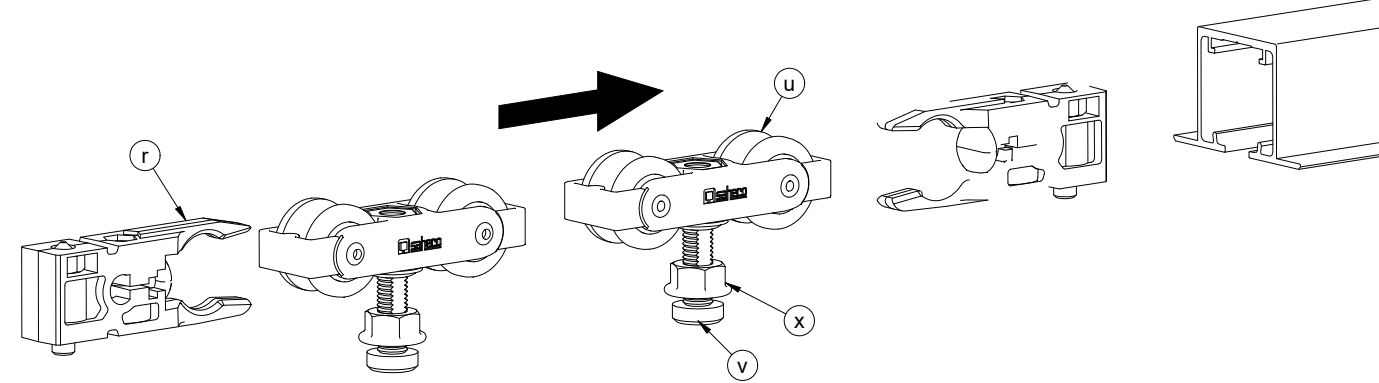
①



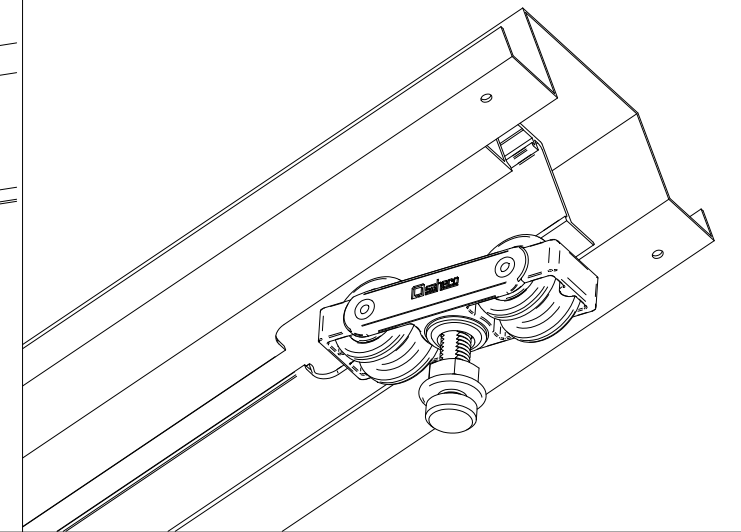
② ASSEMBLY COMPONENTS



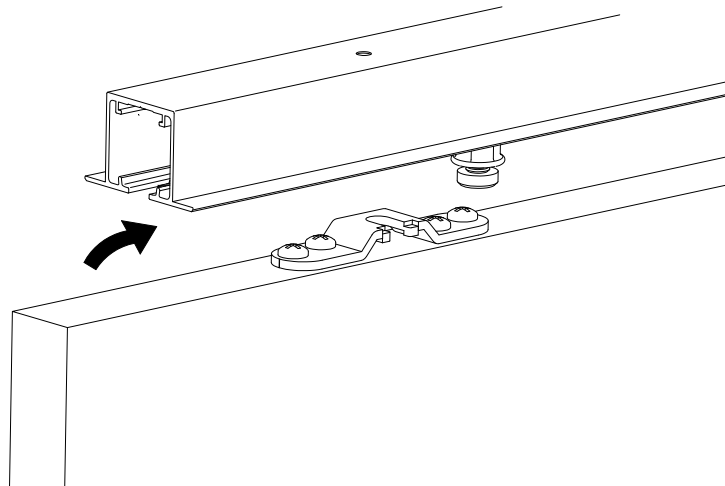
③



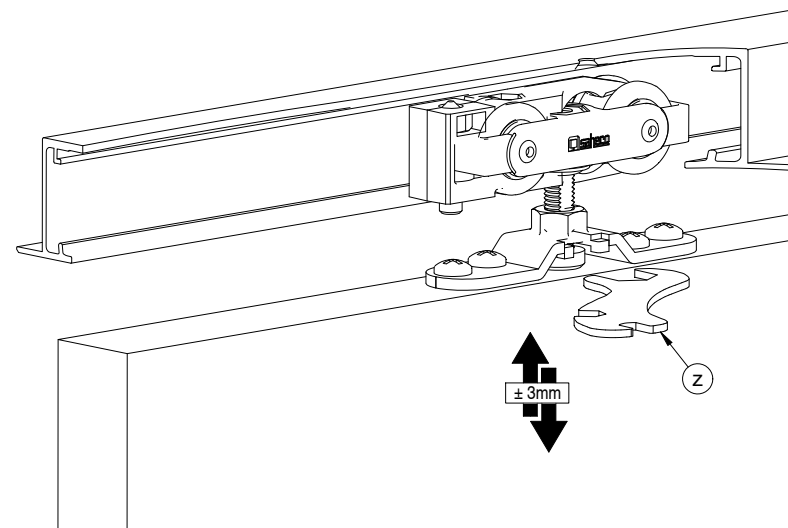
④ TRACK REGISTRATION TO CHANGE COMPONENTS



⑤



⑥



⑦

