

$A = H - 20$

$A = H - 66$

$A = H - 20$

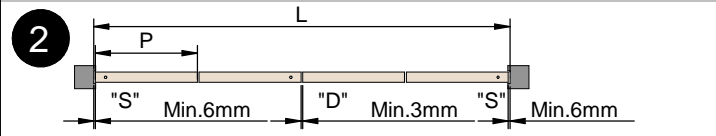
Contenido del Juego
Content of the set / Contenu de l'ensemble

Ref. 0 128 01	(Z)		1	(vt)		2
	(Y)		1	(t)		1
	(X)		1	(p)		1
	(W)		1	(m)		1
	(V)		8			
	(N)		2			
Ref. 0 128 02	(U)		2			
	(S)		1	(v)		4
	(r)		1	(p)		1

Ref. 0 128 02	(S)		1	(v)		4
	(r)		1	(p)		1
				(m)		1

Mecanizados Hoja Batiente
Swing sheet mechanism / Mécanisés panneau battante

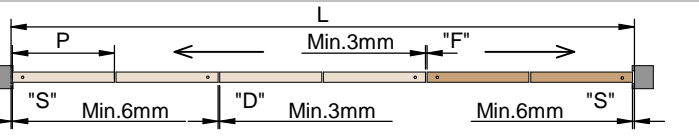
PUERTAS A UN LADO / Doors on one side / Portes d'un côté



$$P = \frac{L - (2xS) - ((N-1) x D)}{N}$$

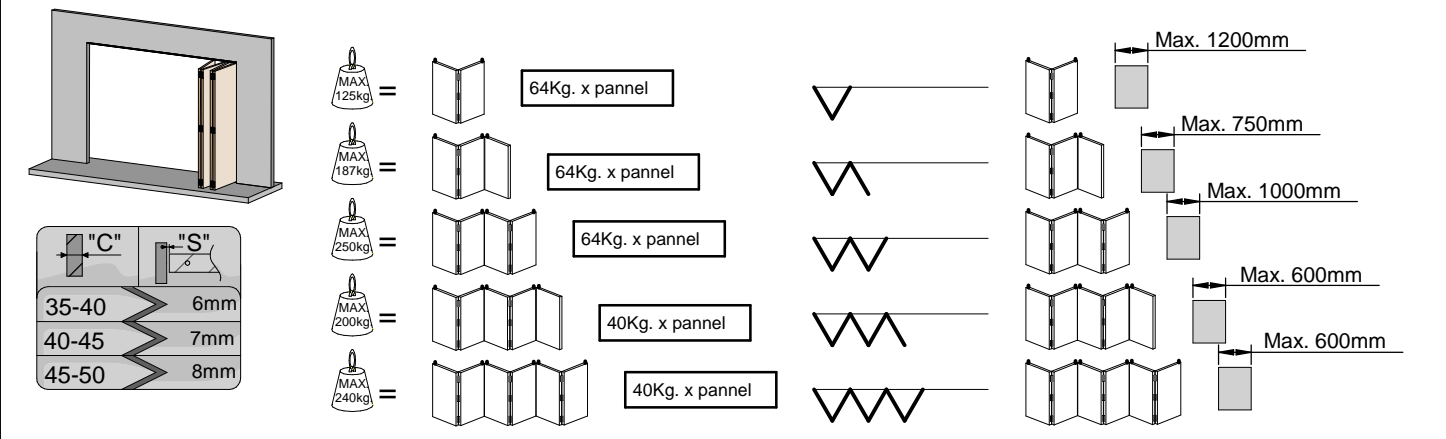
L = Ancho de luz total / Overall width / Largeur total
P = Ancho de la hoja / Leaf width / Large Feuilles
F = Franquicia central / Central Gap / Franchise central

PUERTAS AMBÓS LADOS / Doors on both sides / Portes des deux côtés

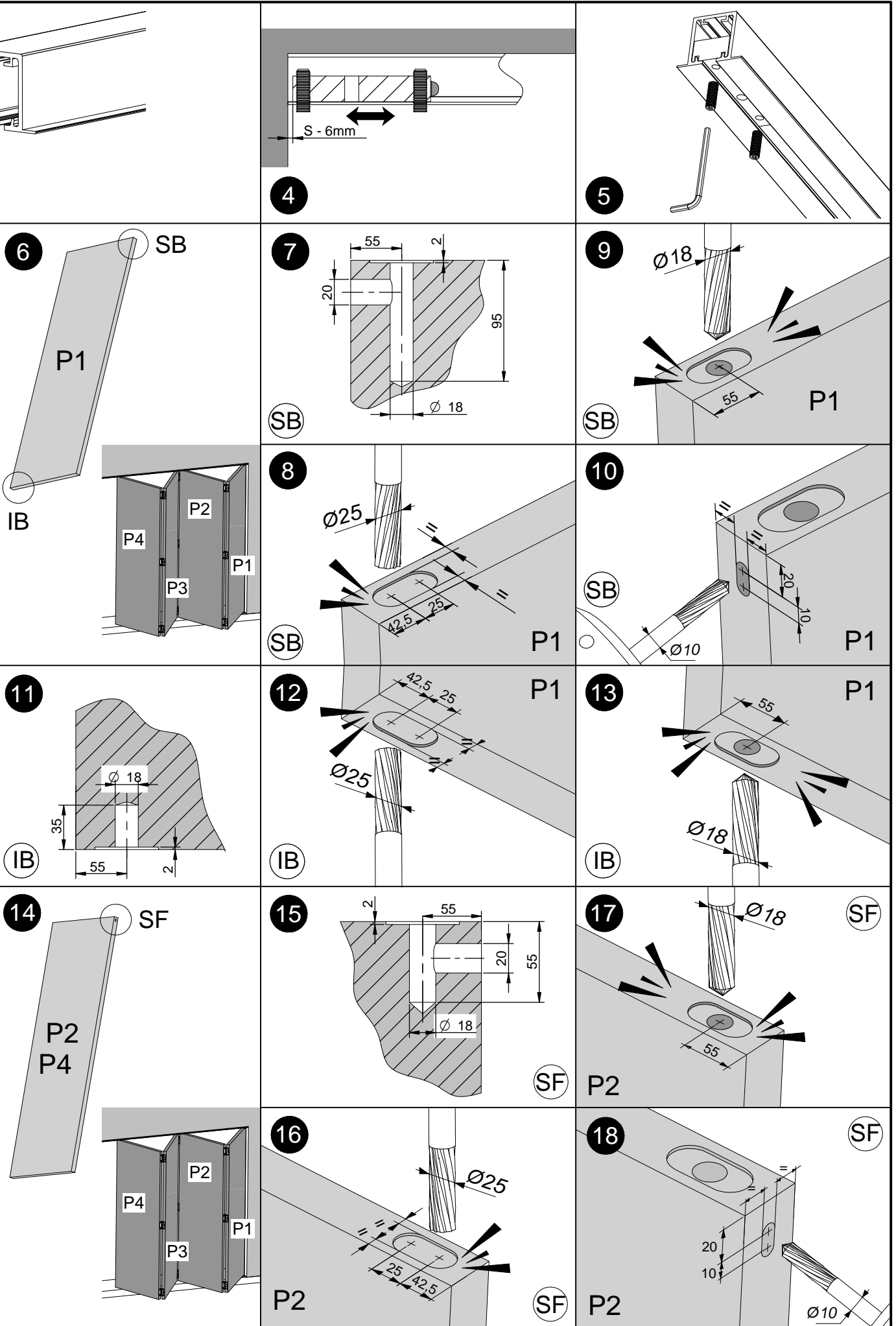


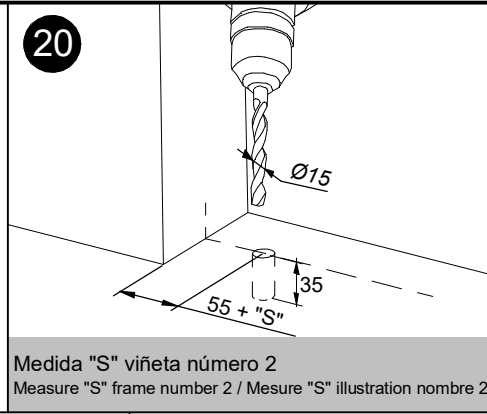
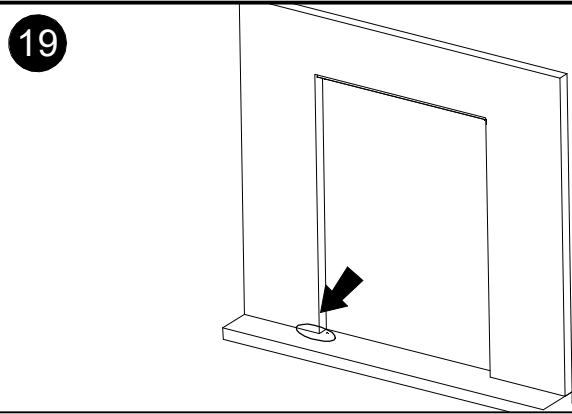
$$P = \frac{L - (2xS) - ((N-2) x D) - F}{N}$$

S = Franquicia inicial / Initial Gap / Franchise initiale
D = Separación bisagras / Hinges Separation / Separation charniere
N = Número de puertas / Number of doors / Nombre de portes

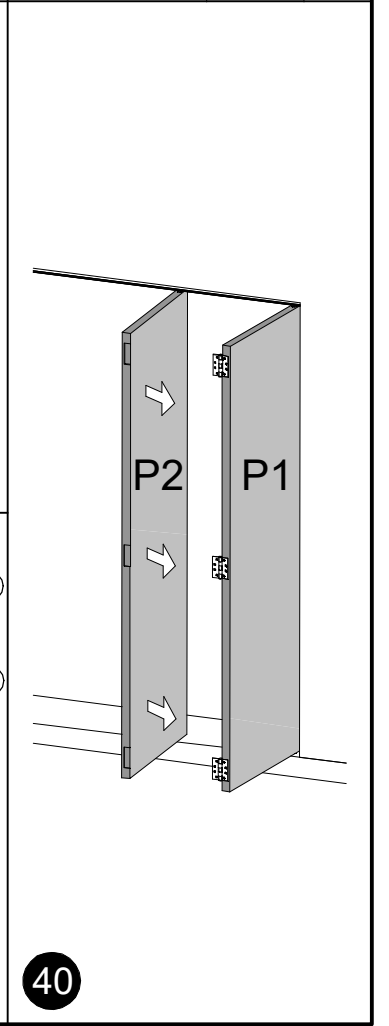
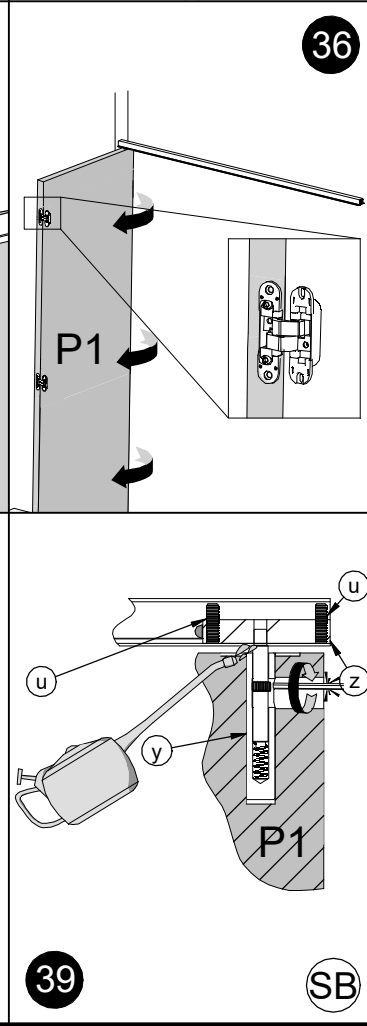
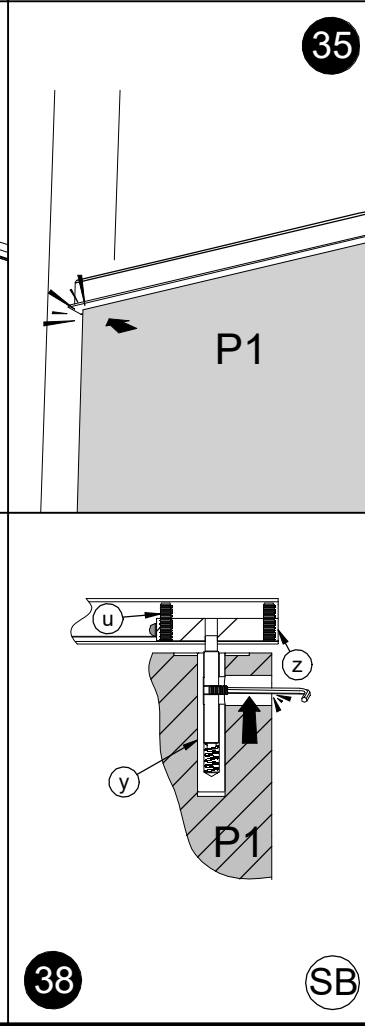
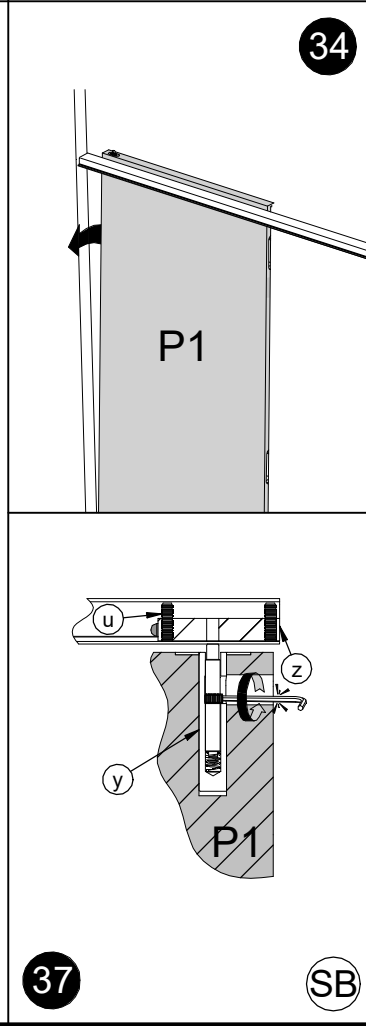
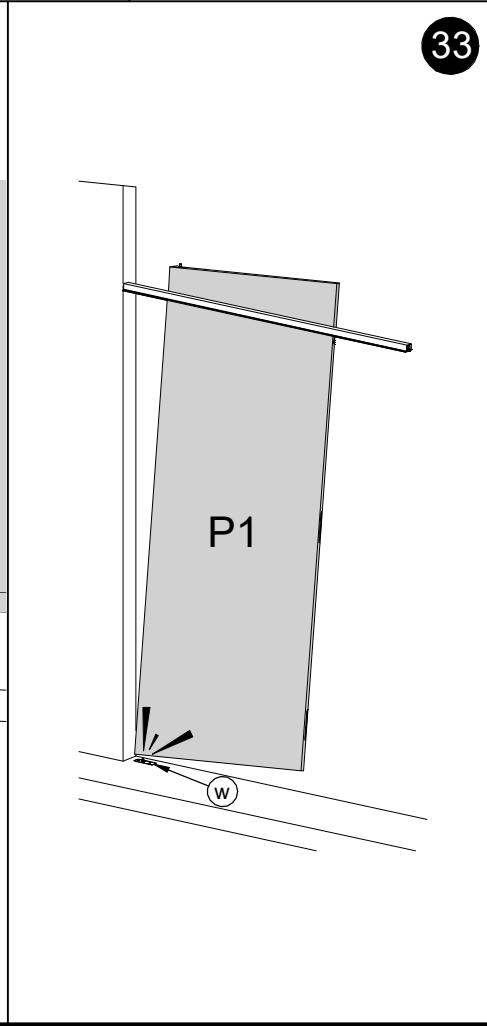
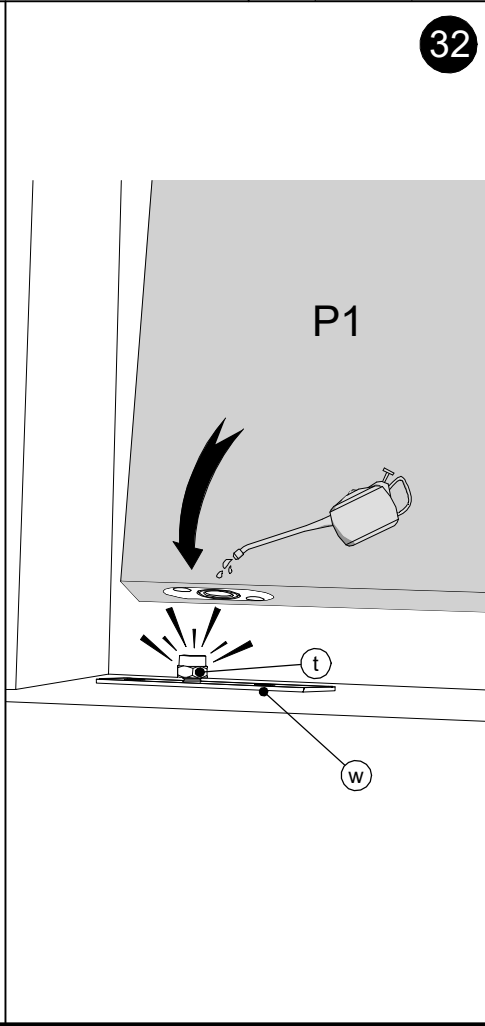
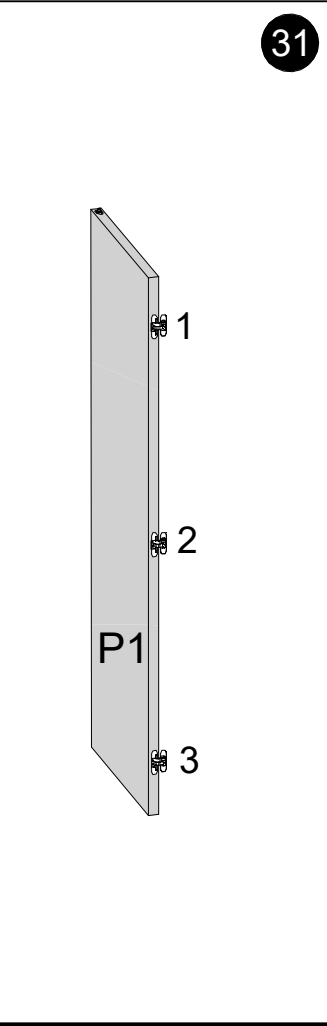
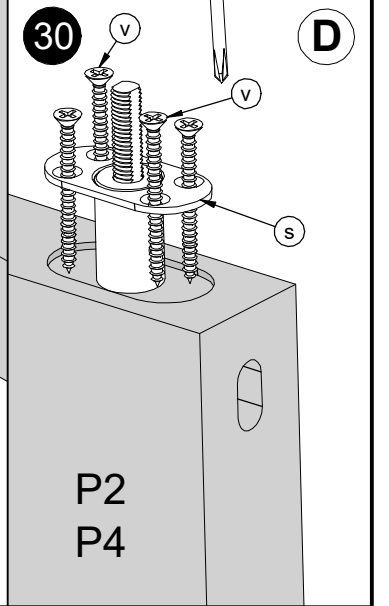
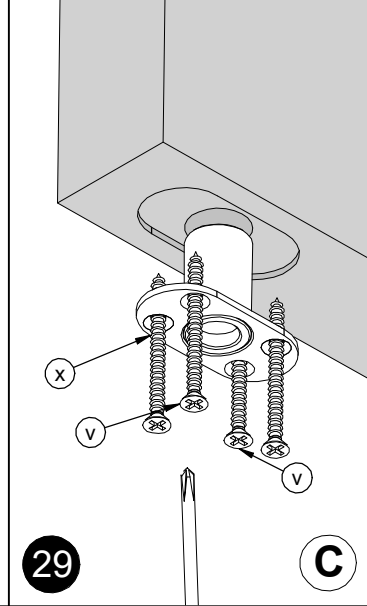
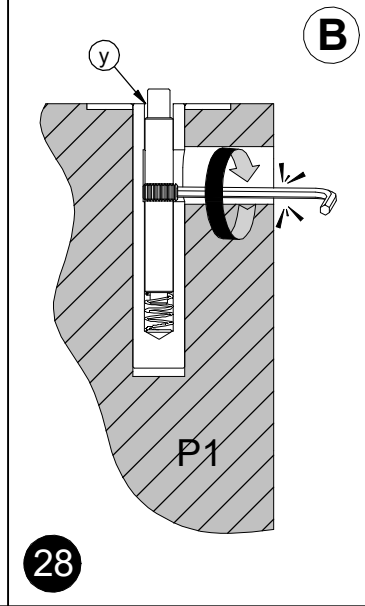
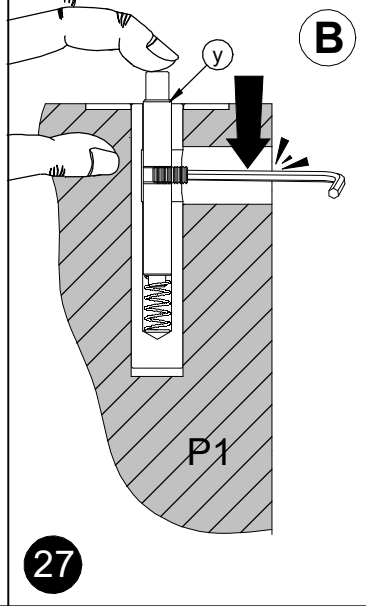
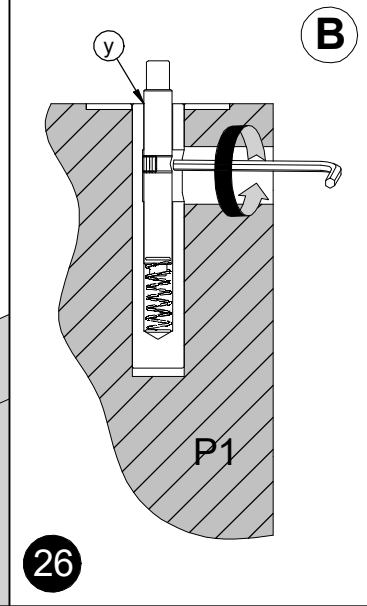
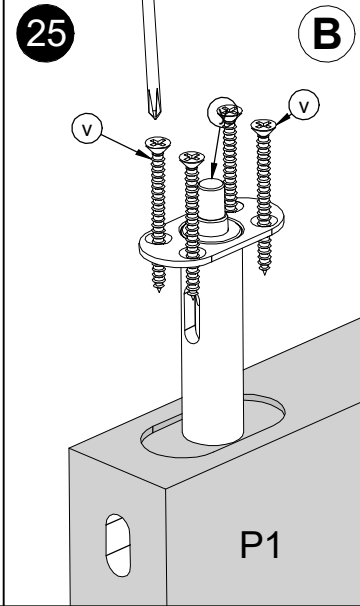
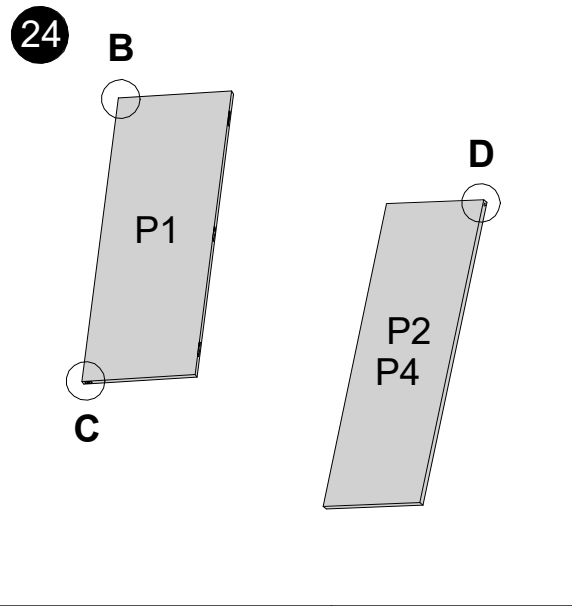
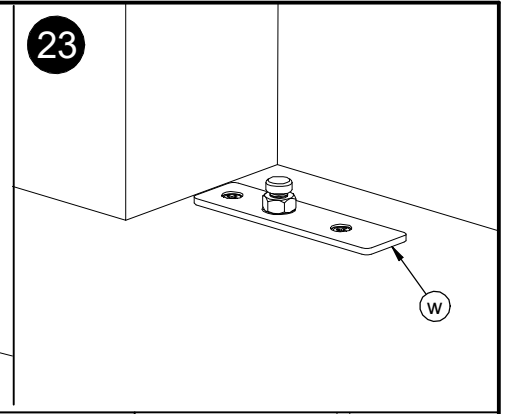
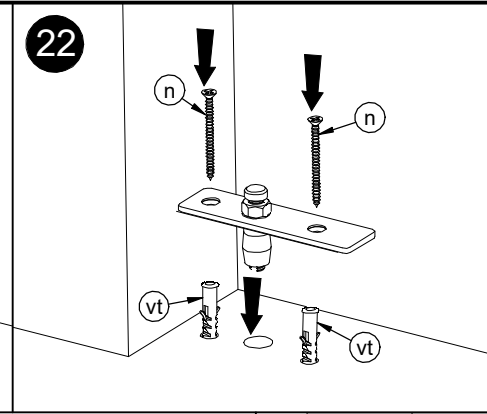
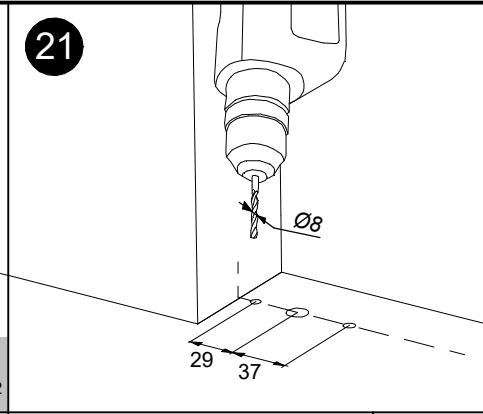


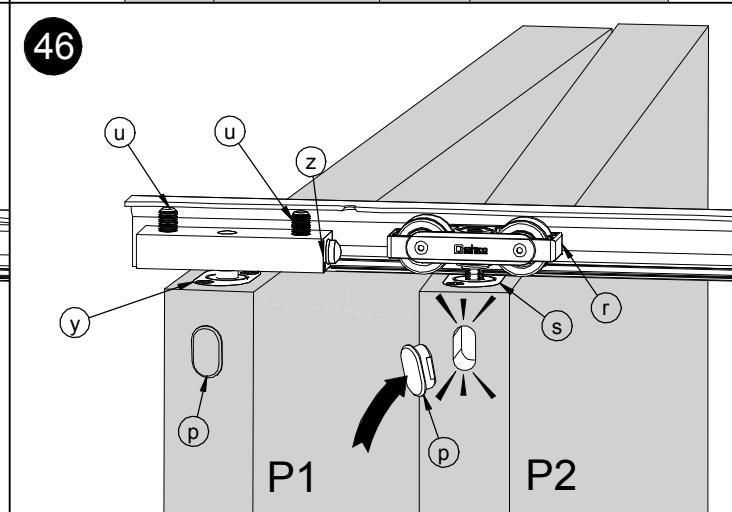
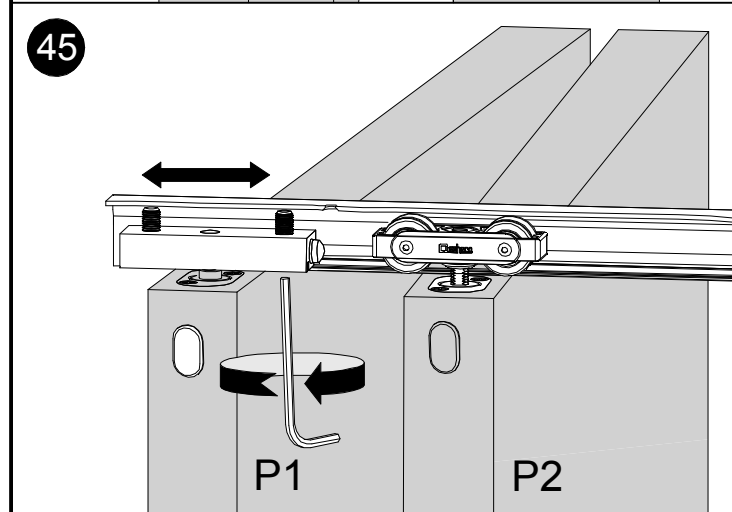
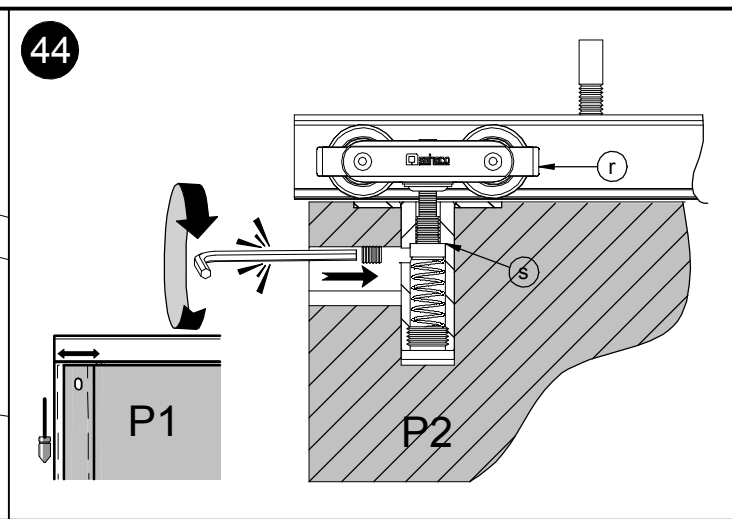
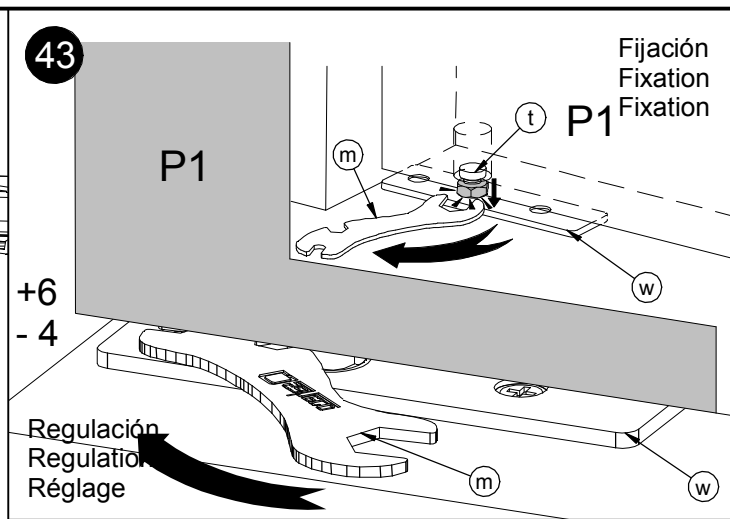
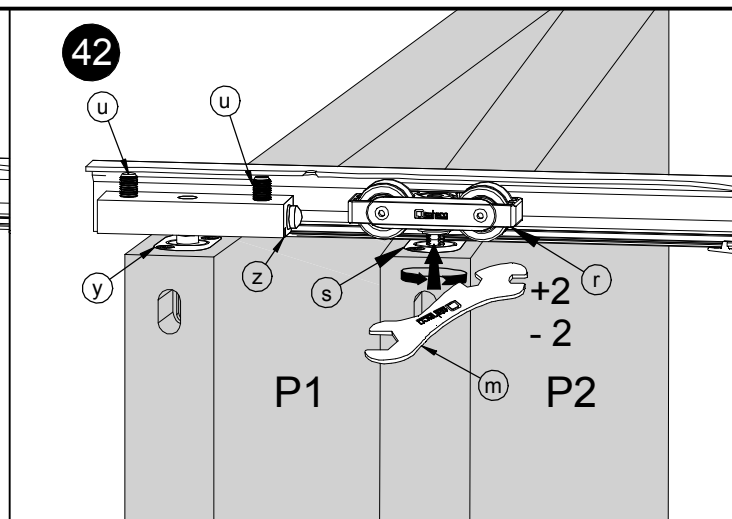
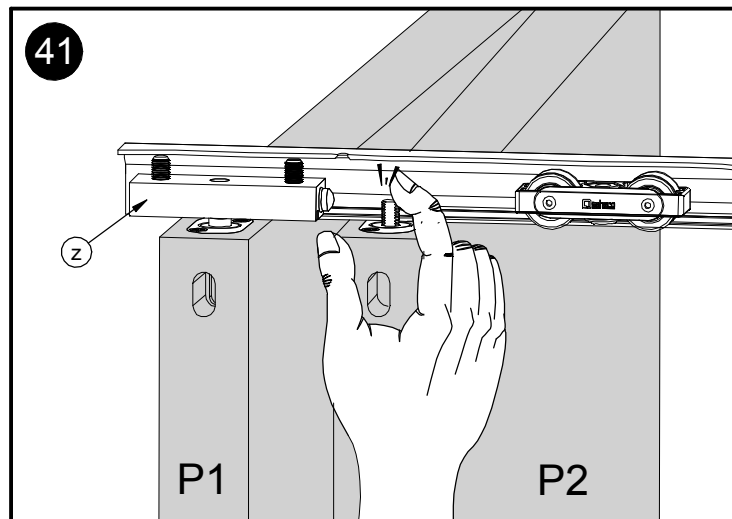
Mecanizado Hoja 2 y Hoja Final
Mechanization of 2nd sheet & final sheet /
Mécanisation de panneau 2 et panneau finale



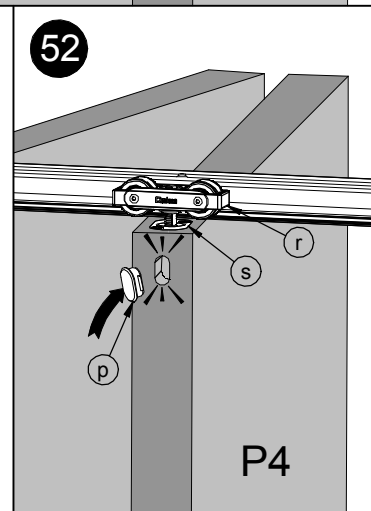
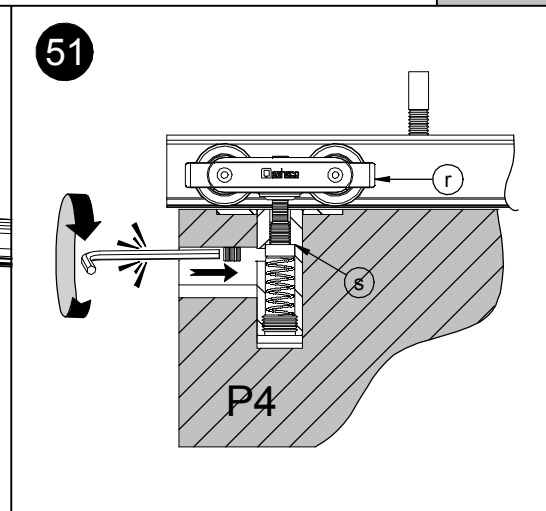
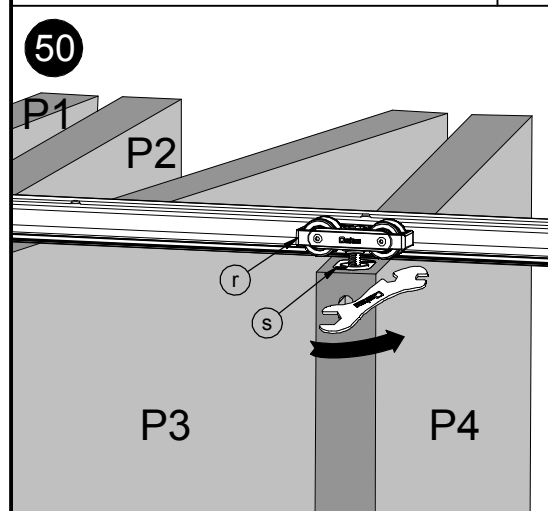
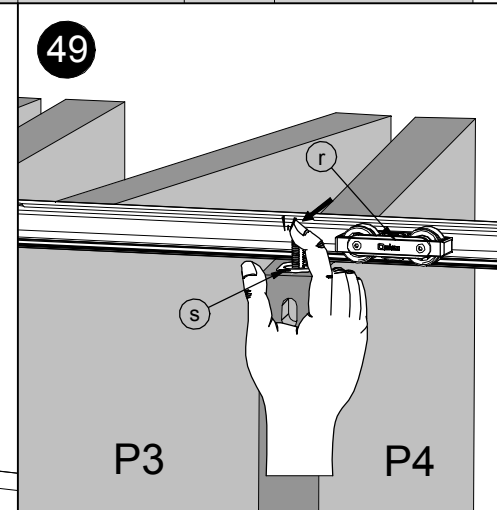
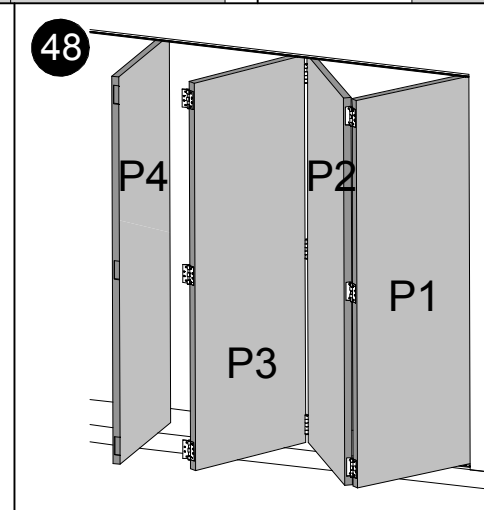
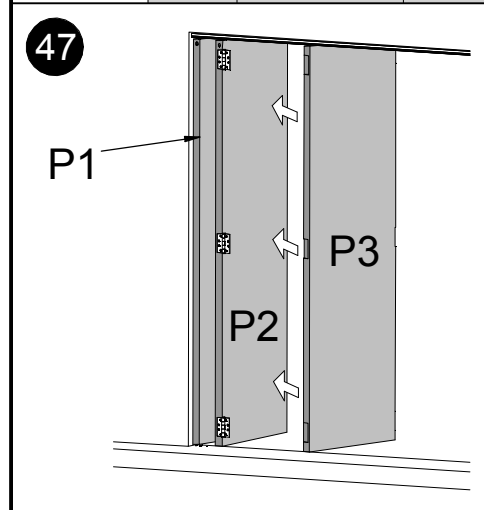


Medida "S" viñeta número 2
Measure "S" frame number 2 / Mesure "S" illustration nombre 2



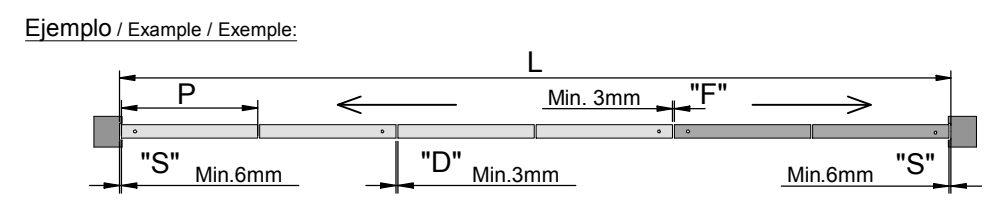


Variantes de Instalación
Installation variants / Variantes de montage



	$P = \frac{L - (2xS) - (2xD)}{3}$	Max. 750mm
	$P = \frac{L - (2xS) - D - F}{3}$	Max. 750mm
	$P = \frac{L - (2xS) - (2xD) - F}{4}$	Max. 750mm
	$P = \frac{L - (2xS) - (3xD) - F}{5}$	Max. 750mm
	$P = \frac{L - (2xS) - (4xD) - F}{6}$	Max. 750mm
	$P = \frac{L - (2xS) - (3xD)}{4}$	Max. 1000mm
	$P = \frac{L - (2xS) - (3xD) - F}{5}$	Max. 1000mm
	$P = \frac{L - (2xS) - (4xD) - F}{6}$	Max. 1000mm
	$P = \frac{L - (2xS) - (5xD) - F}{7}$	Max. 1000mm
	$P = \frac{L - (2xS) - (6xD) - F}{8}$	Max. 1000mm
	$P = \frac{L - (2xS) - (8xD) - F}{10}$	Max. 600mm
	$P = \frac{L - (2xS) - (12xD) - F}{12}$	Max. 600mm

L = Ancho de luz total / Overall width / Lagueur total
P = Ancho de la hoja / Leaf width / Large Feuilles
F = Franquicia central / Central Gap / Franchise central
S = Franquicia inicial / Initial Gap / Franchise initiale
D = Separación bisagras / Hinges Separation / Separation charnières
N = Número de puertas / Number of doors / Nombre de portes



Formularios para Sistemas
Systems formuairys / Formulaires pour systèmes