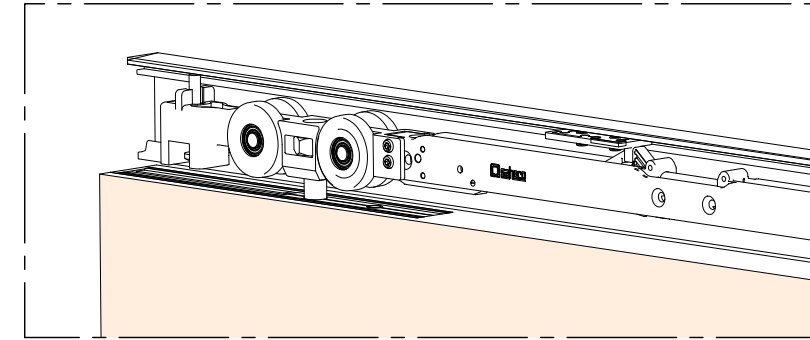




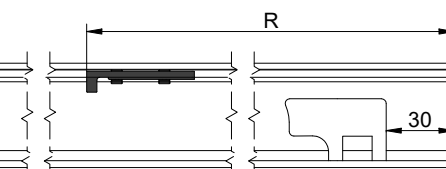
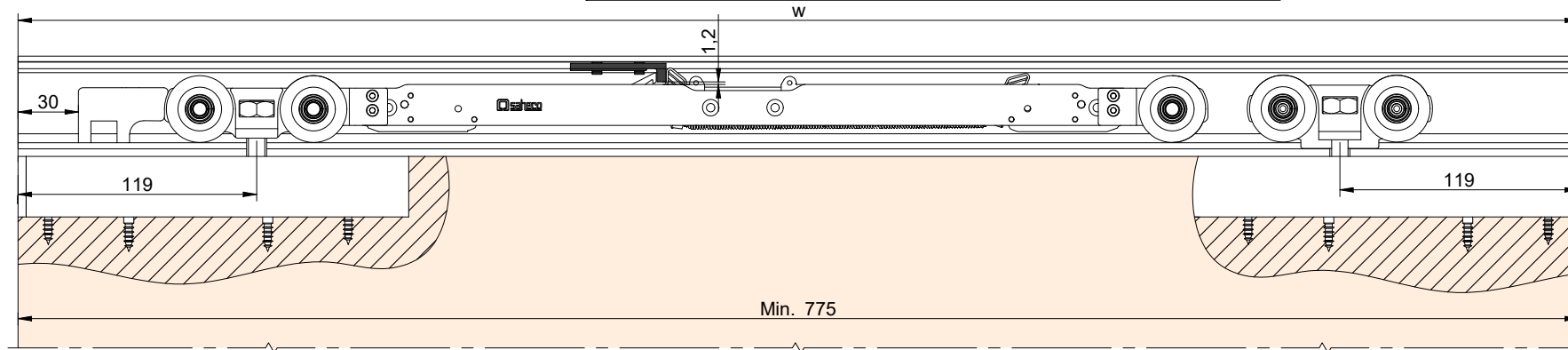
CODE: 0 140 05

a		2	h		2
b		1	j	 DIN 7505 B 5x30	4
c	 DIN 7505 A 4x20	4	k	 DIN 7505 A 5x30	4
p		2	n		1
			s		2

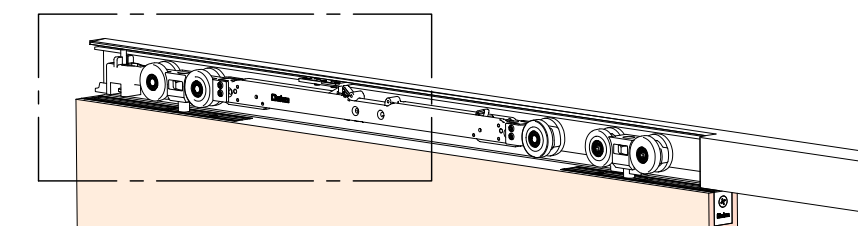
s		1
---	--	---



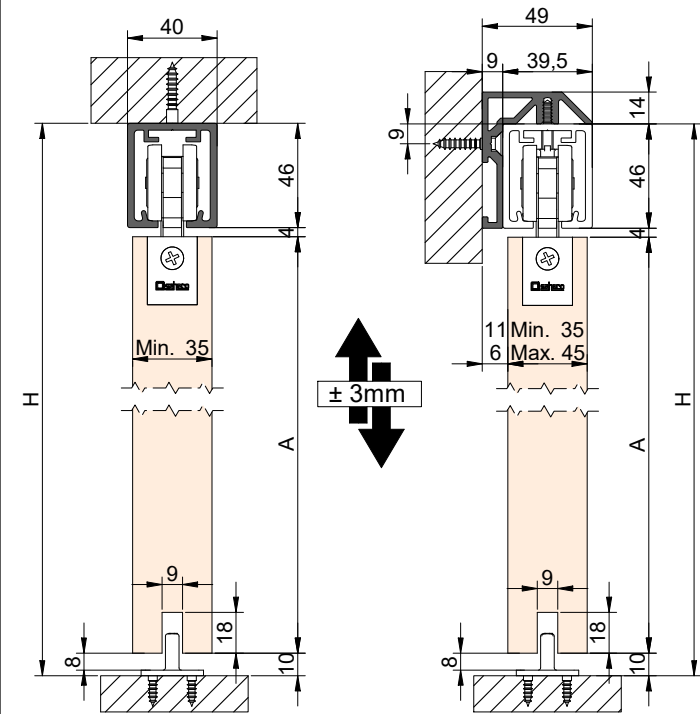
FUERZA ABRIR · Force open = $40 \pm 5N$ ($4 \pm 0,5$ Kg)
FUERZA CERRAR · Force close = $40 \pm 5N$ ($4 \pm 0,5$ Kg)



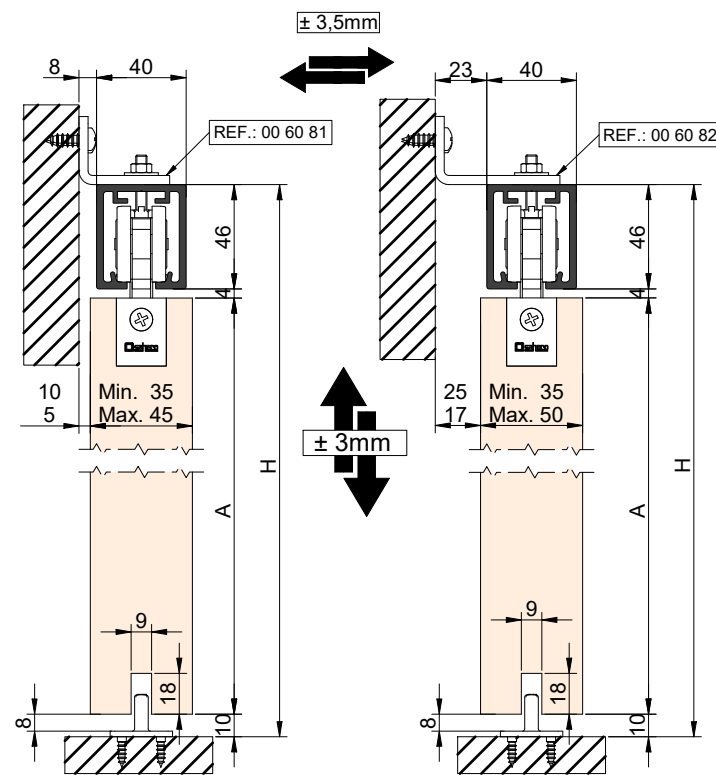
$R = W - 398$



PERFIL SUPERIOR STAR XL / Star XL top track

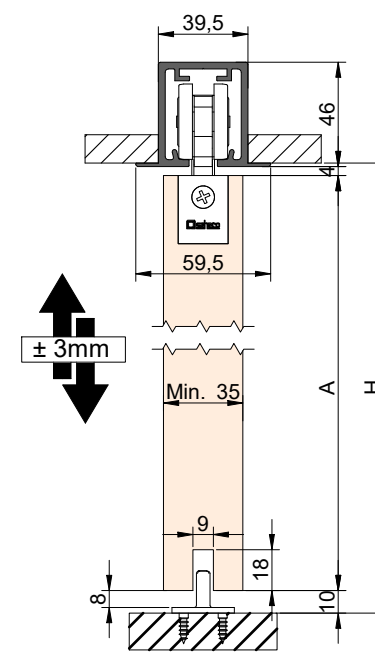


$A = H - 60$



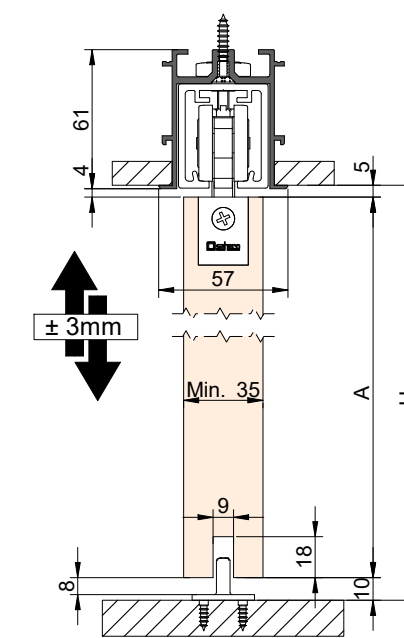
$A = H - 60$

PERFIL STAR FALSO TECHO / Profile Star for plasterboard



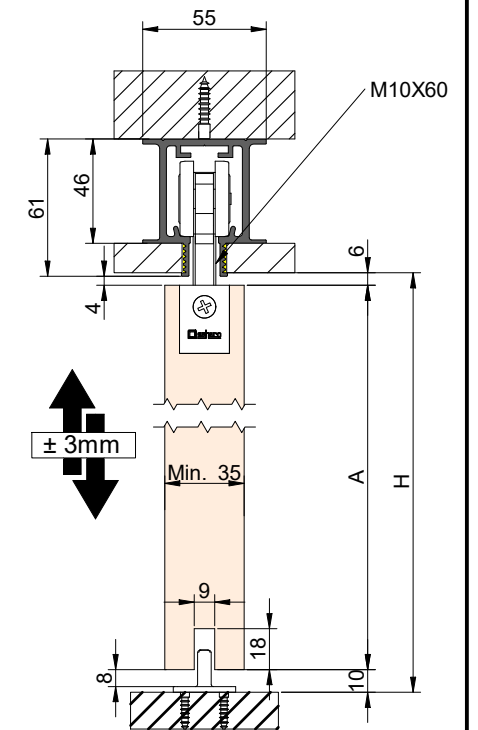
$A = H - 14$

**PERFIL FUNDA FT XL / Support FT XL track
FALSO TECHO / False ceiling**



$A = H - 14$

PERFIL STAR FTI FALSO TECHO / Profile Star FTI for plasterboard



$A = H - 16$

1 MONTAJE A TECHO / Ceiling mount

2 MONTAJE A PARED + PERFIL SEPARADOR / Wall mount + full width side fixing profile

3 MONTAJE A PARED / Wall mount

4 MONTAJE COMPONENTES / Assembly components

5

6

M10

NO INCLUIDA / NOT INCLUDED

7

8

MONTAJE PERFIL FUNDA XL / AssemblySupport FT XL track

LARGO /	Nº TALADROS
2m	6 (Ø 5,5mm)
3m	9 (Ø 5,5mm)
4m	11 (Ø 5,5mm)
6m	16 (Ø 5,5mm)

FALSO TECHO / False ceiling

9

10 PERFIL SUPERIOR STAR XL / Star XL top track

11

12

13