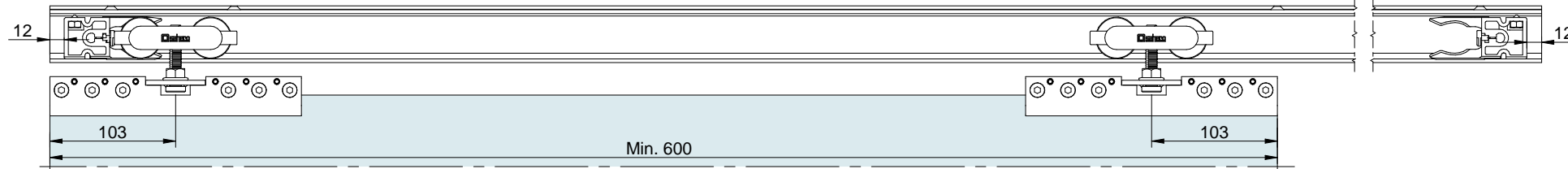
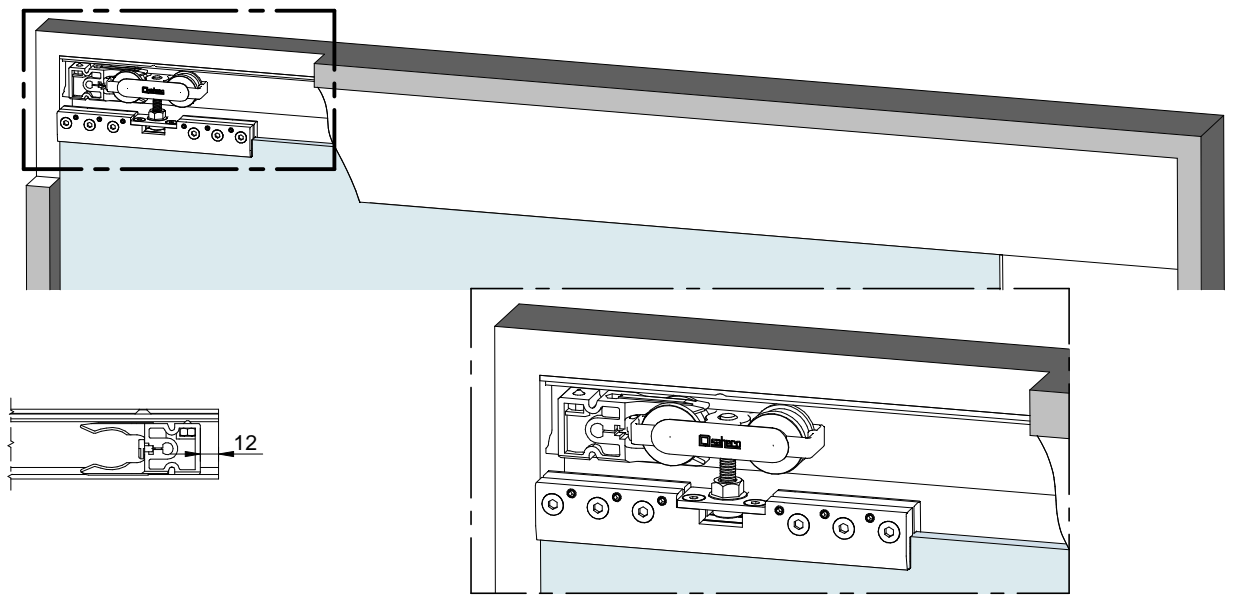
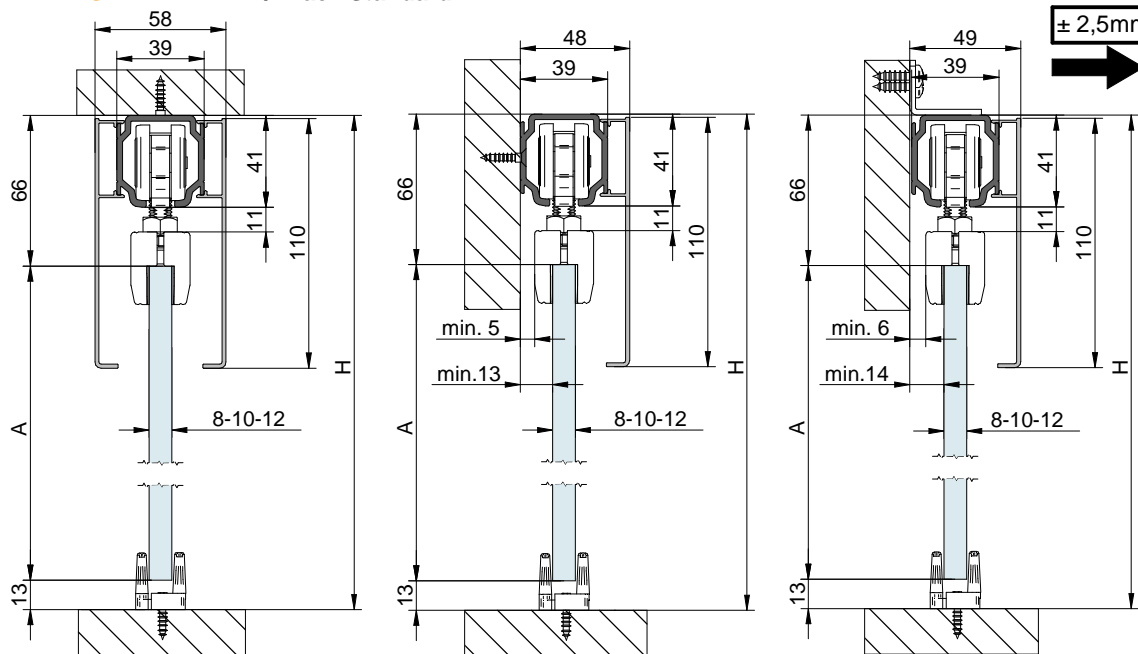


CODE: 0 160 01

a		2	d		1	g		2
b		2	e		2	h		2
c		2	f		1	i		2



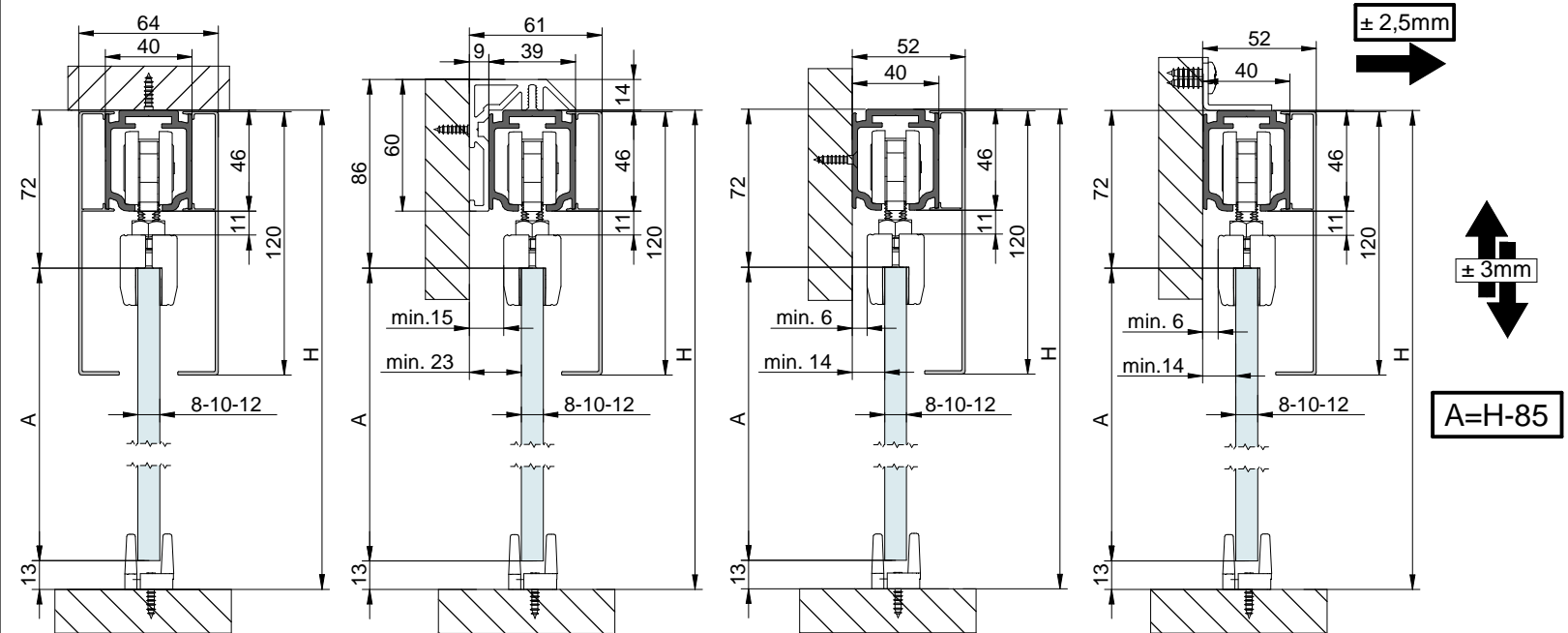
PERFIL STANDARD XL / Track Standard XL



± 3mm

A=H-79

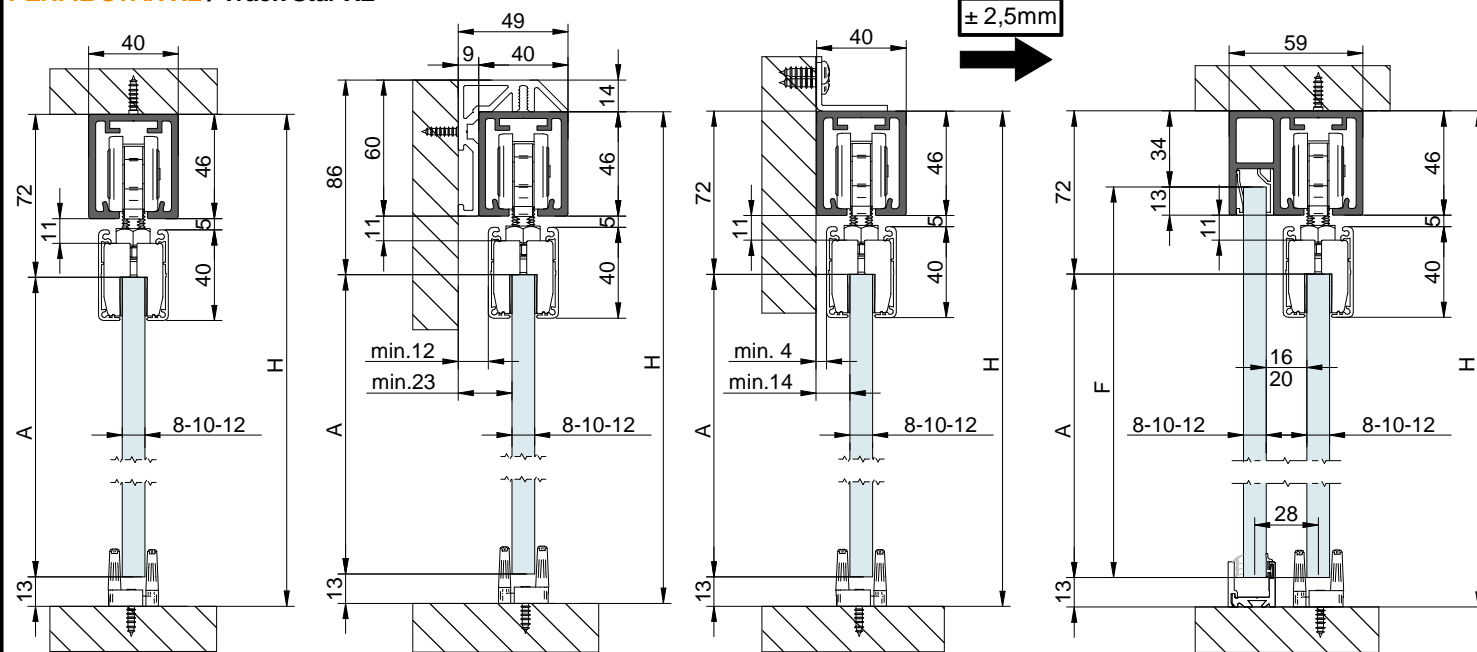
PERFIL EXCELLENCE XL / Track Excellence XL



± 3mm

A=H-85

PERFIL STAR XL / Track Star XL

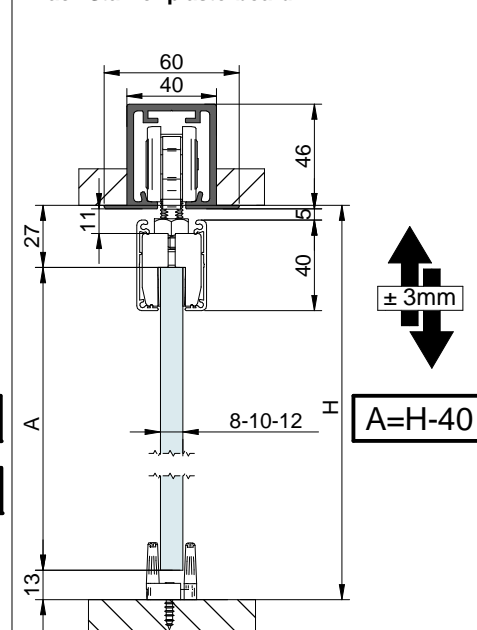


± 3mm

A=H-85

F=H-47

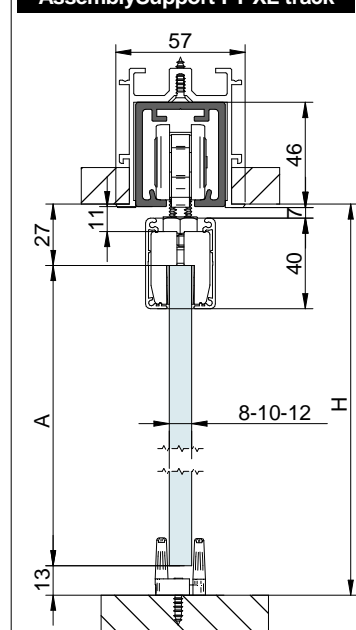
PERFIL STAR FALSO TECHO XL / Track Star for plasterboard XL



± 3mm

A=H-40

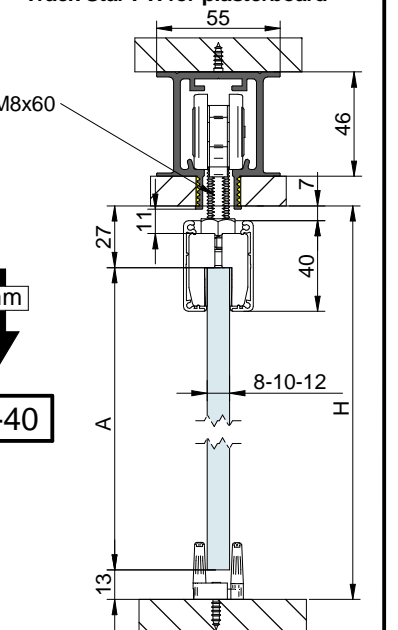
MONTAJE PERFIL FUNDA XL / AssemblySupport FT XL track



± 3mm

A=H-40

PERFIL STAR FTI FALSO TECHO / Track Star FTI for plasterboard



1 MONTAJE A TECHO / Ceiling mount

STANDARD EXCELLENCE STAR

Ø 5,5
Ø 10,5

400
100
DIN 7505

2 MONTAJE A PARED + PERFIL SEPARADOR / Wall mount + full width side fixing track

100 200
DIN 7505 A 5x50

3 MONTAJE A PARED / Wall mount

400
100

4 MONTAJE COMPONENTES / Assembly components mount

M10

5 MONTAJE FRENO / Brake mount

TENSAR FRENO RETENEDOR
Tighten retainer brake

FIJAR FRENO RETENEDOR
Set retainer brake

6 MONTAJE PINZAS / Clamps assembly

103

1 3 5
8 10 12

7

PRIMER PASO: AJUSTAR TORNILLOS AJUSTE GROSOR VIDRIO
FIRST STEP: ADJUST GLASS THICKNESS SCREWS

SEGUNDO PASO: APRETAR TORNILLOS APRIETE PINZA
SECOND STEP: STRENGTH CLAMP THIGHTEN SCREWS

TERCER PASO: APRETAR TORNILLOS AJUSTE GROSOR VIDRIO
THIRD STEP: STRENGTH THE GLASS THICKNESS SCREWS

13 N/m

90°

± 3mm

8 MONTAJE GUIADOR / Guide mount

REF.: 00 40 57

9 MONTAJE TAPETA / Pelmet cover mount

10 TAPETAS LATERALES / Cover caps

11 MONTAJE VIDRIO FIJO / Fixed glass mount

MONTAJE PERFIL FUNDA XL / AssemblySupport FT XL track

Ø 5,5

FALSO TECHO / False ceiling

400
25

LARGO /	Nº TALADROS /
2m	6 (Ø 5,5mm)
3m	9 (Ø 5,5mm)
4m	11 (Ø 5,5mm)
6m	16 (Ø 5,5mm)

DIN 7505 A 5

DIN 7982 4,8x13

12

13

14