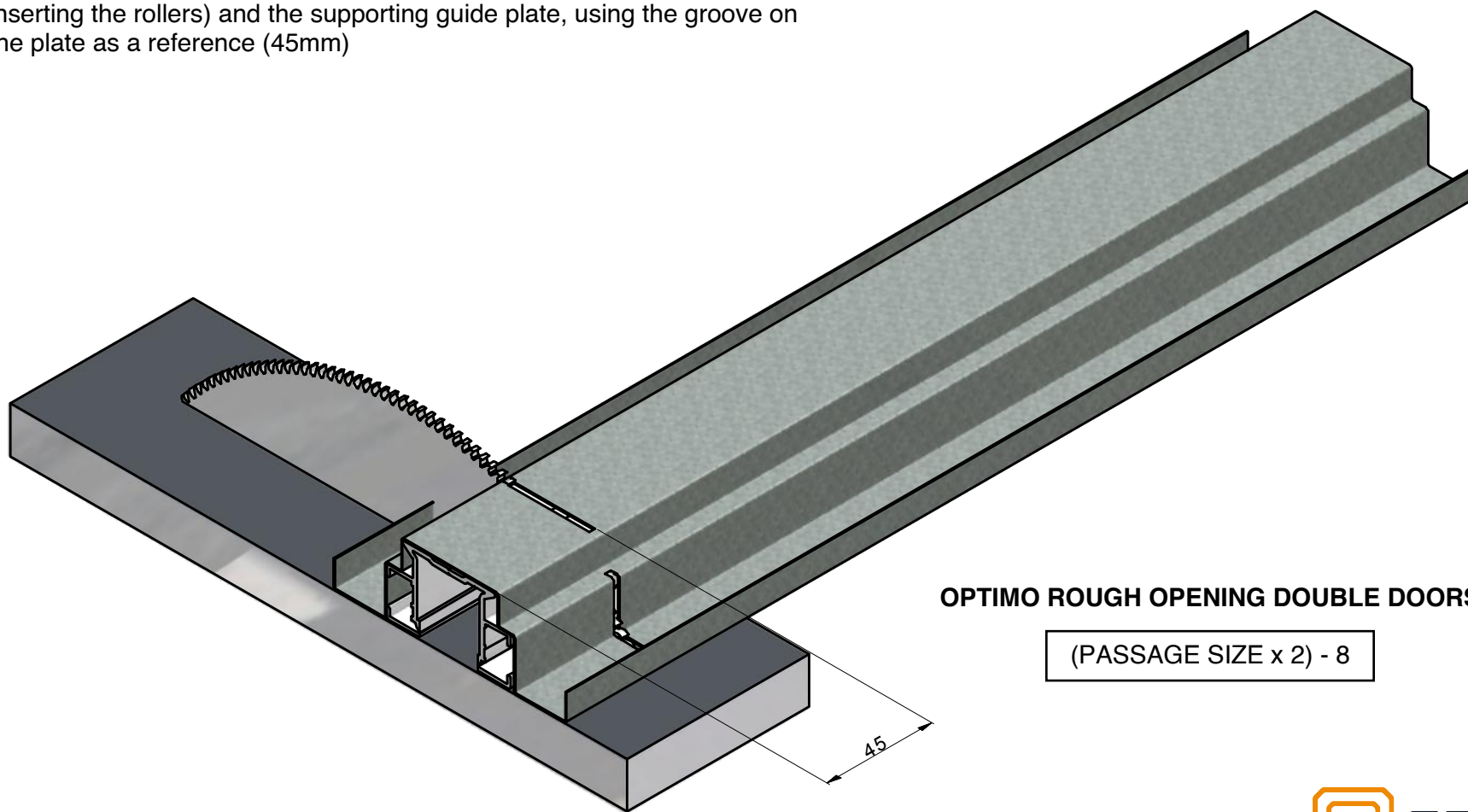


JOINTING KIT DOUBLE DOORS FOR OPTIMO POCKET DOOR KIT

REF. 99540065

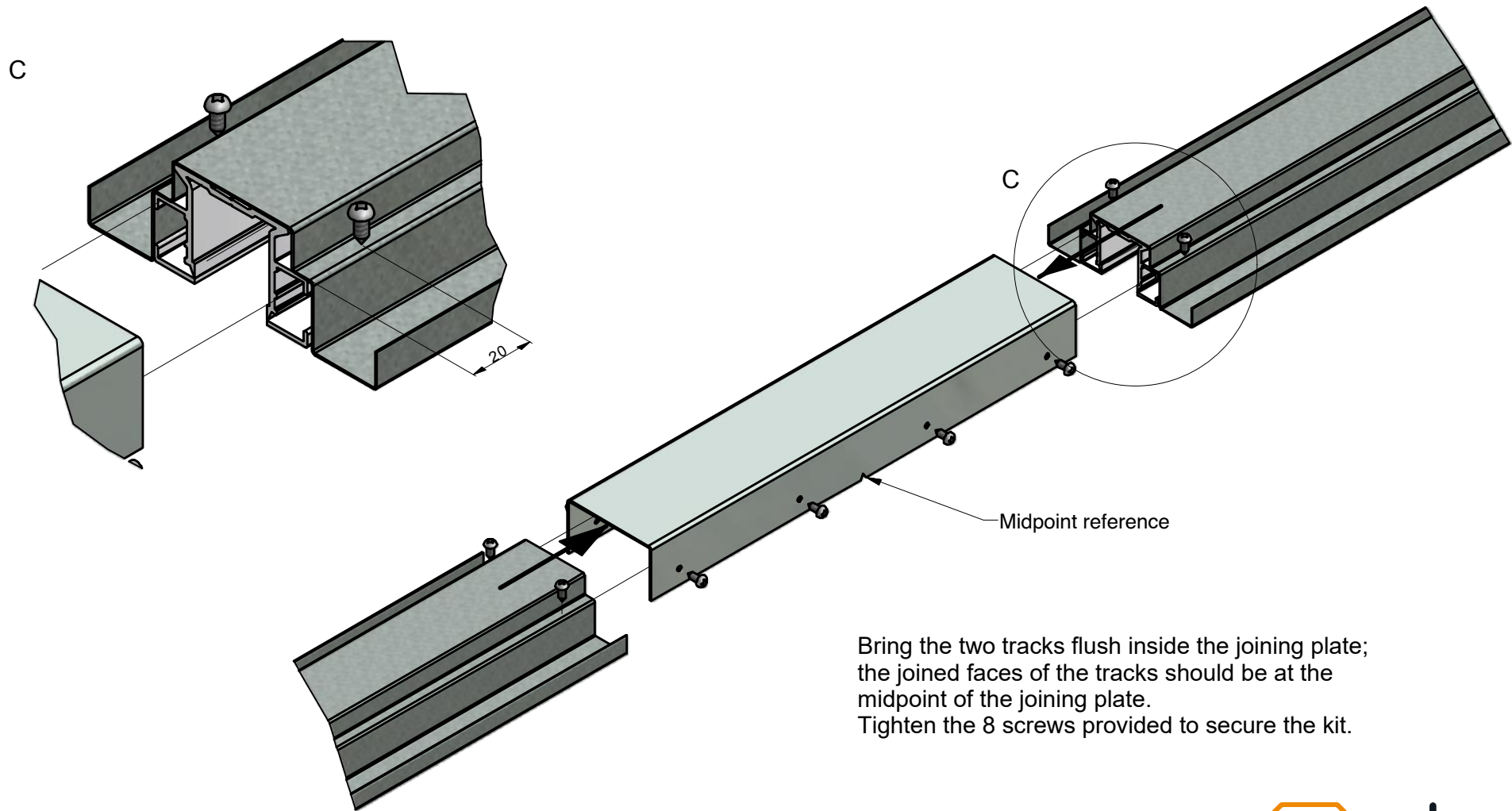
If you want to use two single-door pocket doors to create a double-door kit, you need to cut the track at the front part (the part with the groove for inserting the rollers) and the supporting guide plate, using the groove on the plate as a reference (45mm)



OPTIMO ROUGH OPENING DOUBLE DOORS

(PASSAGE SIZE x 2) - 8

It is recommended to further secure the front part of the track with additional screws to the support plate, to ensure greater solidity of the structure. Detail C.



Bring the two tracks flush inside the joining plate; the joined faces of the tracks should be at the midpoint of the joining plate. Tighten the 8 screws provided to secure the kit.