

Line collection

Jambless counterframes, functionality and elegance, all in the same setting



Boxkel by saheco | saheco.com

BOXKEL
by Saheco



Line Collection

A new **concept**, a new **perspective**

Filomuro doors, flush-wall doors, built-in doors... they go by many different names, but principally as invisible doors. As they are frameless and fit and align perfectly with the surface of the wall, they create incredible visual continuity that allows them to go completely unnoticed; with only a

single element standing out: the handle. The Line Collection offers elegant aesthetics and clean lines to create visually uncluttered spaces with state-of-the-art technology. It comes in variable installation configurations such as **sliding or hinged**.

Line Collection I Sliding door

EASY BK10 - BK20

Galvanised steel modules that can be combined with fittings. Fine metal framework. Moulded and grooved mesh anchor tabs. Moulded and structured single-piece upper cover. Reinforced aluminium guides with quick assembly guide. Lower alignment spacer. Elastic anti-crack gasket. Aluminium profiles for levelling plaster. Reinforced alignment spacers.

Where the modules meet, the steel is triple grooved and forms a strong vertical rib that prevents bending.

The mesh panel is attached to the sides with moulded and ribbed tabs folded over the horizontal thread.

The top cover is moulded and structured in a single unit and houses the self-supporting, thick aluminium roller guide, which is easily inserted without the need for fastening.

In the opening of the frame, in the upper spacer and on top of the jamb, there are aluminium sheets for plaster flushing. The frame is equipped with two strong spacers consisting of reinforced tubes attached by a moulded plate on the front panel and the jamb.

The provided roller set is composed of self-lubricating polyamide resin inside of which two anti-dust bearings are inserted.

The rollers are heat injection moulded and then turned on a ground dowel pin, which guarantees their concentricity.

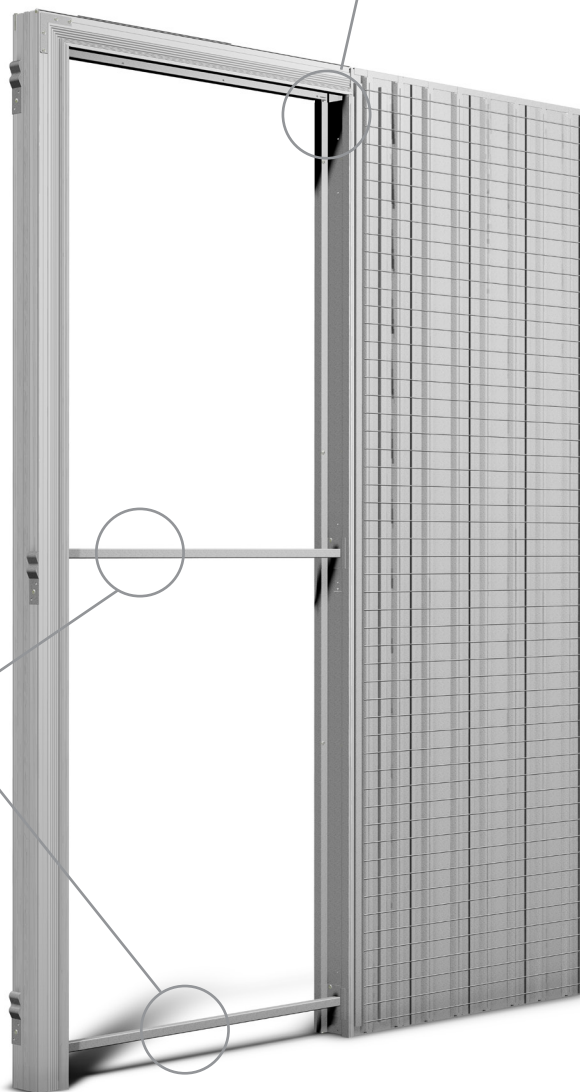
The load that each set of rollers can support is 120 Kg.

Line Collection | Sliding door

EASY BK10

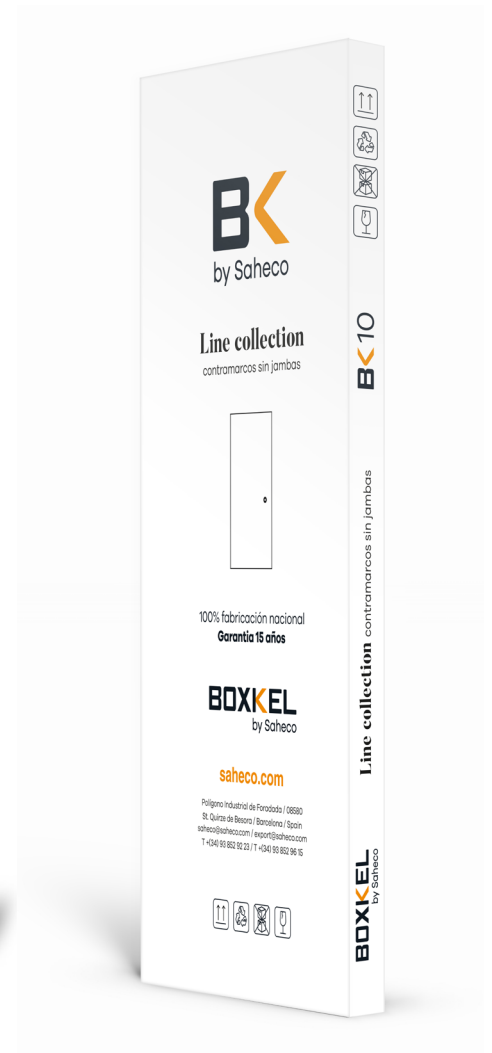
Modular sheets

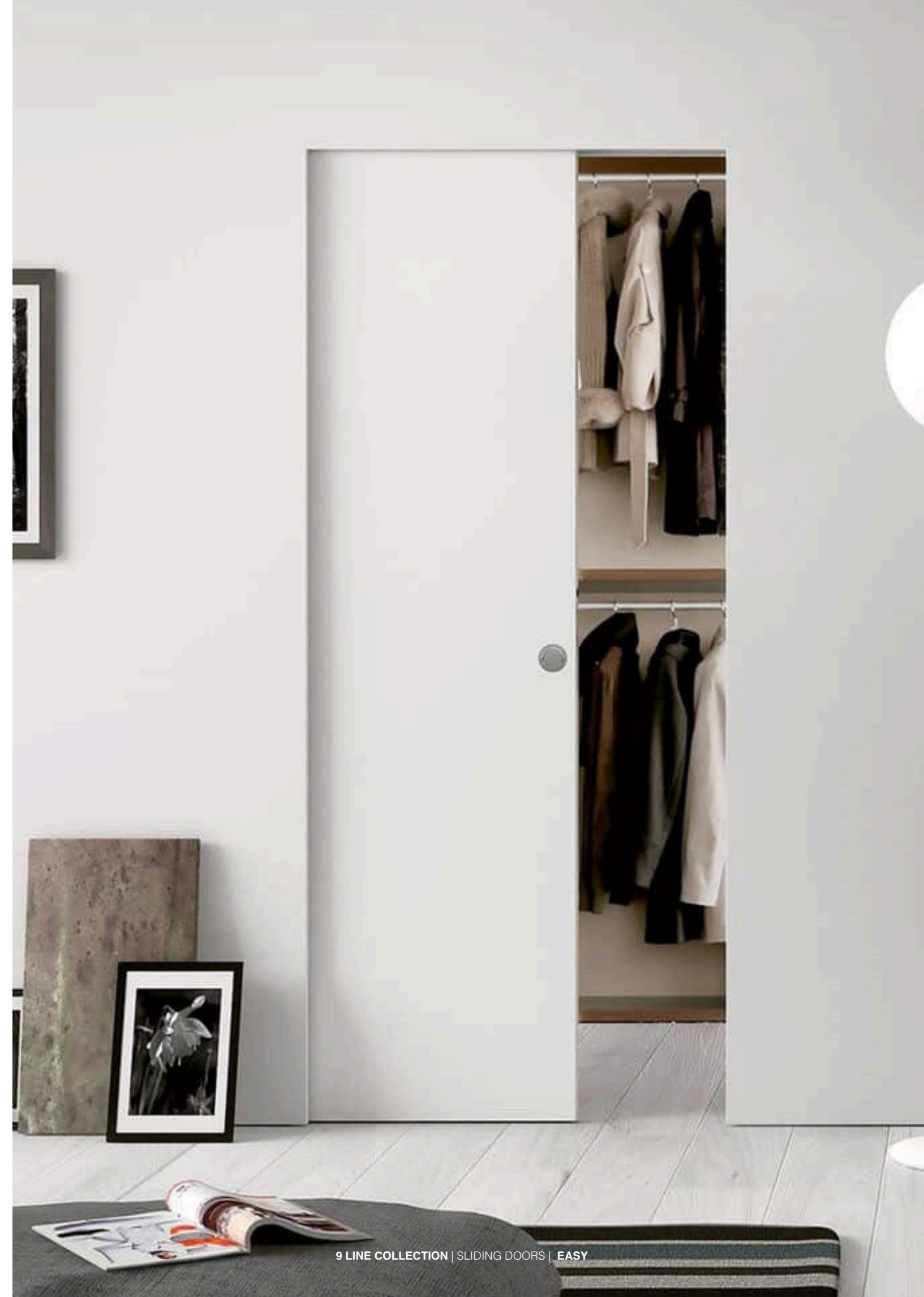
Composed of modular elements that can be joined. Absorbs structural expansion by avoiding creases and forms a rigid vertical rib.



Alignment bar

Keeps the abutment upright and flush with the metal casing, playing a fundamental role in the rigidity of the frame and ensuring perfect installation.



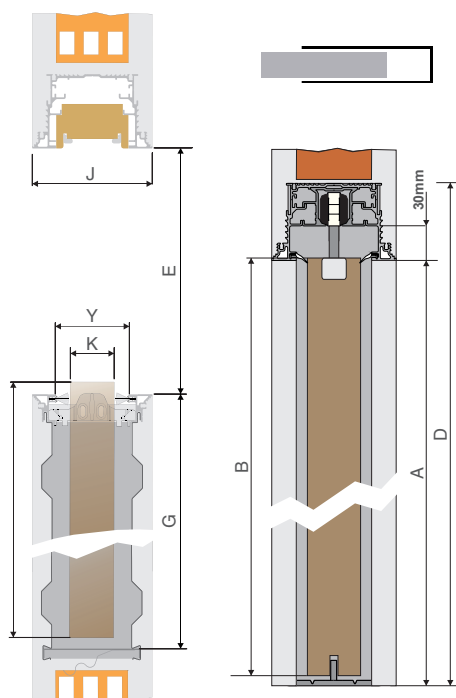


Line Collection | Sliding door

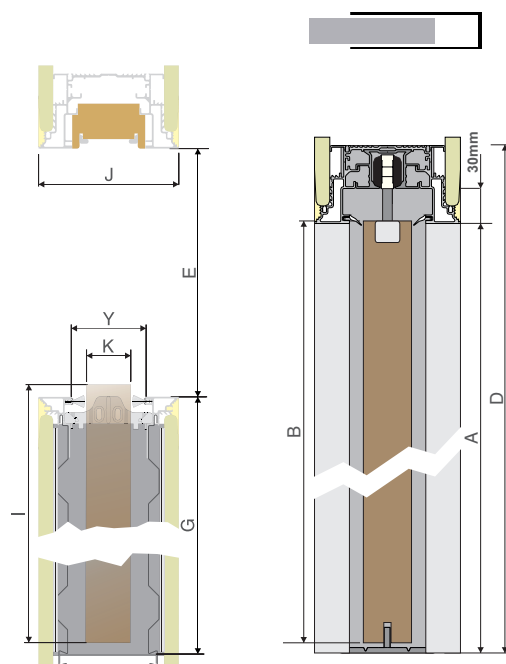
EASY BK10

Technical data sheet

MASONRY



PLASTERBOARD



A Passage size | **B** Door height | **D** Overall height | **E** Passage size | **G** Frame width | **I** Door width | **J** Thickness of finished wall | **K** Thickness of door | **Y** Structure opening dimension

A	B	D	E	G	Y	I	K	J
2035	2030	2110	610	620	*	624	**	***
2115	2110	2190	610	620	*	624	**	***
2035	2030	2110	710	720	*	724	**	***
2115	2110	2190	710	720	*	724	**	***
2035	2030	2110	810	820	*	824	**	***
2115	2110	2190	810	820	*	824	**	***
2035	2030	2110	910	920	*	924	**	***
2115	2110	2190	910	920	*	924	**	***

STRUCTURE FOR MASONRY

FINISHED WALL	INTERIOR WIDTH	MAX. DOOR THICKNESS
J	Y	K
105	65	55
125	75	65

STRUCTURE FOR PLASTERBOARD

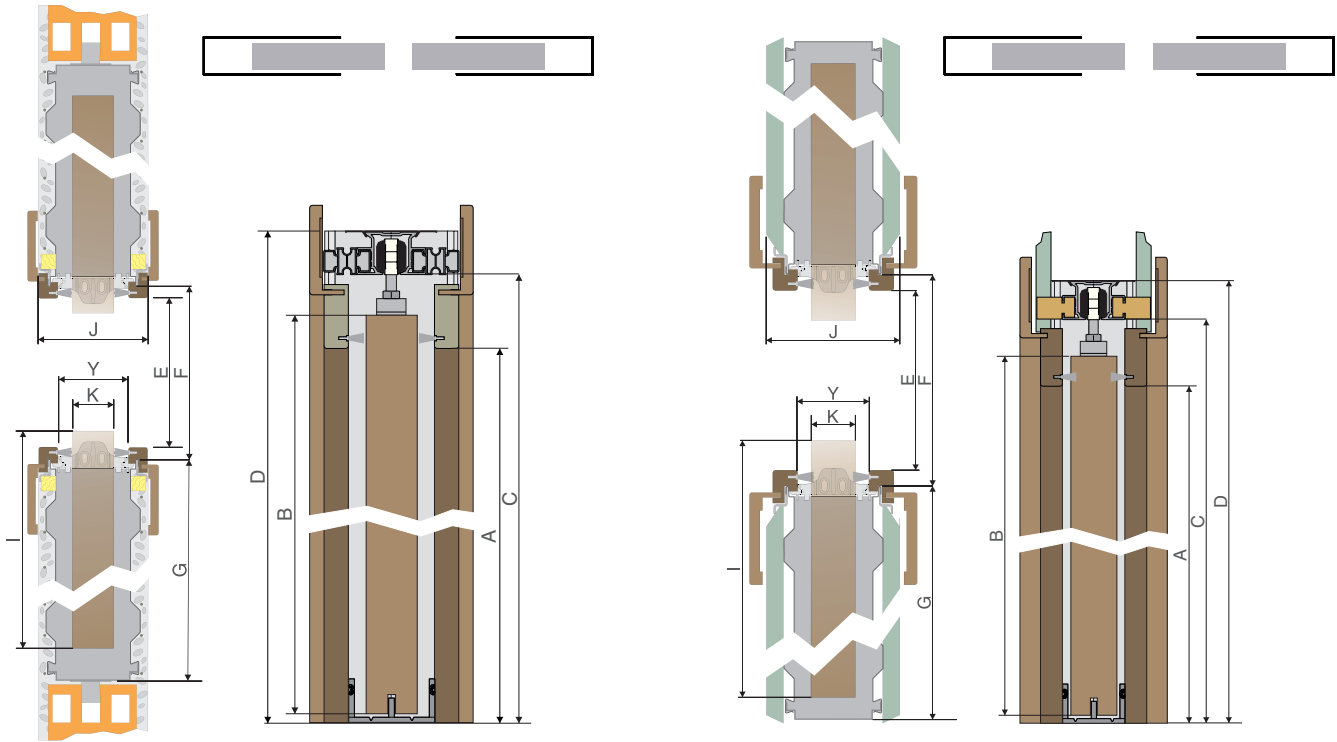
FINISHED WALL	INTERIOR WIDTH	MAX. DOOR THICKNESS
J	Y	K
100	50	40
125	65	55

EASY BK20

Technical data sheet

MASONRY

PLASTERBOARD



A Passage size | **B** Door leaf height | **C** Height from the finished floor to the inner face of the guide | **D** Overall height | **E** Passage size | **F** Passage size without jambs | **G** Frame width | **I** Door width | **J** Finished wall thickness | **K** Door thickness | **Y** Dimensions of the opening of the frame

A	B	D	E	G	Y	I	K	J
2035	2030	2110	610	620	*	624	**	***
2115	2110	2190	610	620	*	624	**	***
2035	2030	2110	710	720	*	724	**	***
2115	2110	2190	710	720	*	724	**	***
2035	2030	2110	810	820	*	824	**	***
2115	2110	2190	810	820	*	824	**	***
2035	2030	2110	910	920	*	924	**	***
2115	2110	2190	910	920	*	924	**	***

STRUCTURE FOR MASONRY

STRUCTURE FOR PLASTERBOARD

FINISHED WALL	INTERIOR WIDTH	MAX. DOOR THICKNESS
J	Y	K
105	65	55
125	75	65

FINISHED WALL	INTERIOR WIDTH	MAX. DOOR THICKNESS
J	Y	K
100	50	40
125	65	55

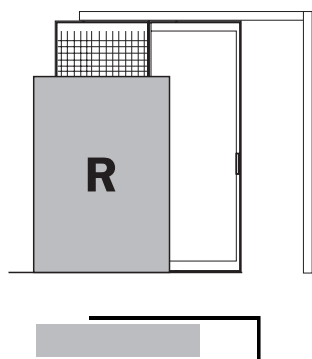
Line Collection | Sliding door

EASY BK10

Technical data sheet / Price list

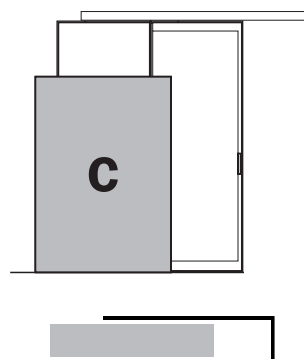
MASONRY

105 | 125 finished wall



PLASTERBOARD

100 | 125 finished wall



STANDARD MEASUREMENTS

MASONRY / PLASTERBOARD			
PASSAGE SIZE		DOOR SIZE	
WIDTH	HEIGHT	WIDTH	HEIGHT
600	2020	625	2030
600	2100	625	2110
700	2020	725	2030
700	2100	725	2110
800	2020	825	2030
800	2100	825	2110
900	2020	925	2030
900	2100	925	2110
1000	2020	1025	2030
1000	2100	1025	2110
1100	2020	1125	2030
1100	2100	1125	2110
1200	2020	1225	2030
1200	2100	1225	2110

MASONRY		
FINISHED WALL	INTERIOR WIDTH	MAX. DOOR THICKNESS
105	65	55
125	75	65

PLASTERBOARD		
FINISHED WALL	INTERIOR WIDTH	MAX. DOOR THICKNESS
100	50	40
125	65	55

ORDER METHOD: WIDTH X HEIGHT X FINISHED WALL

Measurements in millimetres.

SPECIAL MEASUREMENTS

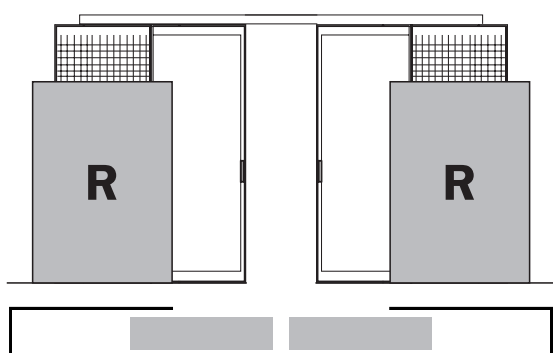
MASONRY / PLASTERBOARD	
PASSAGE SIZE	
WIDTH	HEIGHT
600	2101 2700
700	
800	
900	
1000	
1100	
1200	

Line Collection | Sliding door

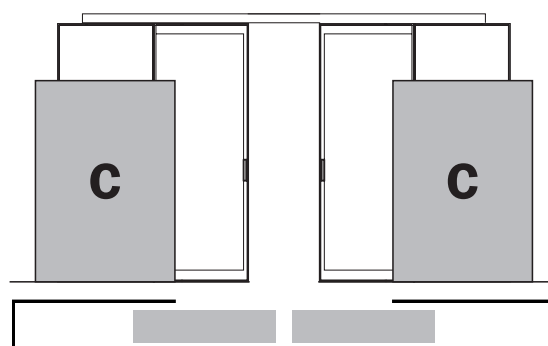
EASY BK20

Technical data sheet / Price list

MASONRY 105 | 125 finished wall



PLASTERBOARD 100 | 125 finished wall



STANDARD MEASUREMENTS

MASONRY / PLASTERBOARD			
PASSAGE SIZE		DOOR SIZE	
WIDTH	HEIGHT	WIDTH	HEIGHT
1200	2020	625	2030
1200	2100	625	2110
1400	2020	725	2030
1400	2100	725	2110
1600	2020	825	2030
1600	2100	825	2110
1800	2020	925	2030
1800	2100	925	2110
2000	2020	1025	2030
2000	2100	1025	2110
2200	2020	1025	2110
2200	2100	1025	2110
2400	2020	1225	2110
2400	2100	1225	2110

MASONRY		
FINISHED WALL	INTERIOR WIDTH	MAX. DOOR THICKNESS
105	65	55
125	75	65

PLASTERBOARD		
FINISHED WALL	INTERIOR WIDTH	MAX. DOOR THICKNESS
100	50	40
125	65	55

ORDER METHOD: WIDTH X HEIGHT X FINISHED WALL

Measurements in millimetres

SPECIAL MEASUREMENTS

MASONRY / PLASTERBOARD	
PASSAGE SIZE	
WIDTH	HEIGHT
1200	2101 2700
1400	
1600	
1800	
2000	
2200	
2400	

BOXKEL
by Saheco

Boxkel by saheco | saheco.com